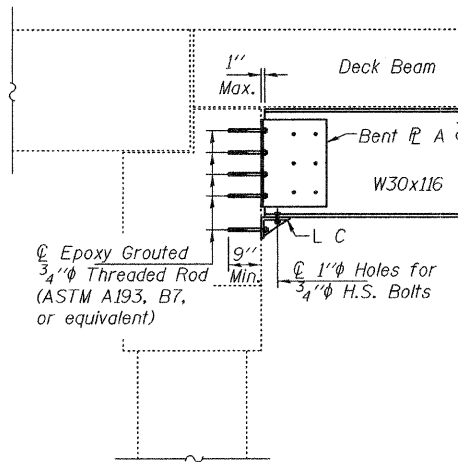
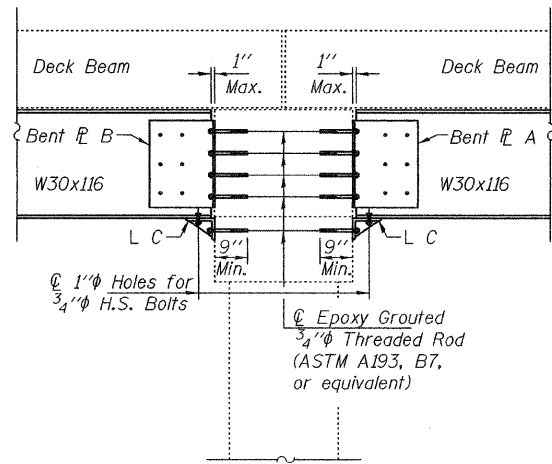


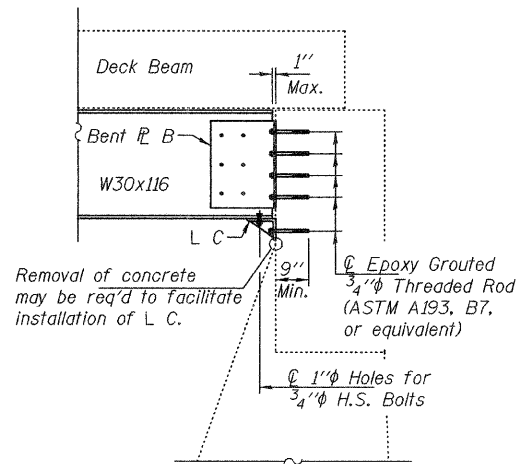
STATE OF ILLINOIS
DEPARTMENT OF TRANSPORTATION



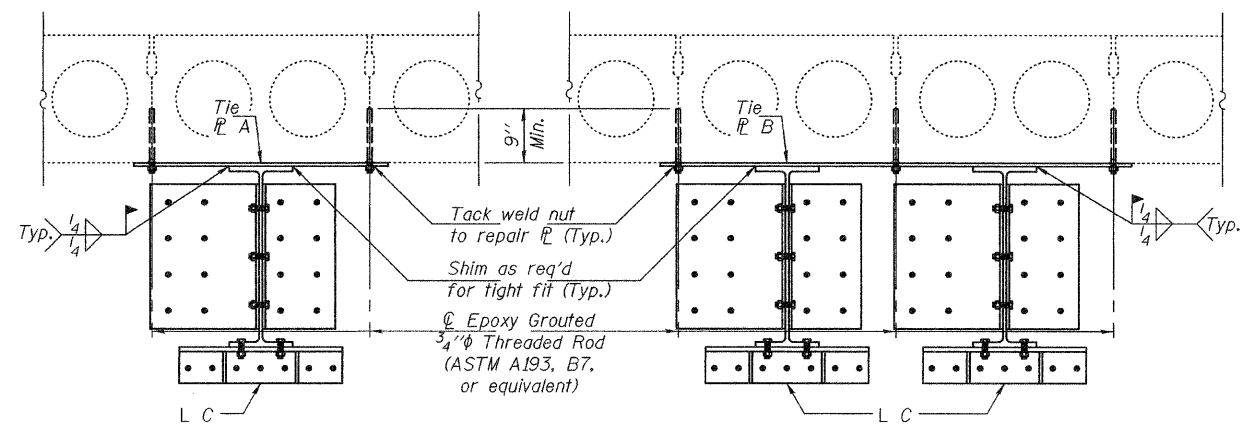
SECTION A-A



SECTION B-B

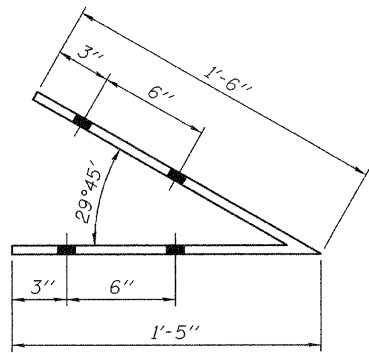


SECTION C-C



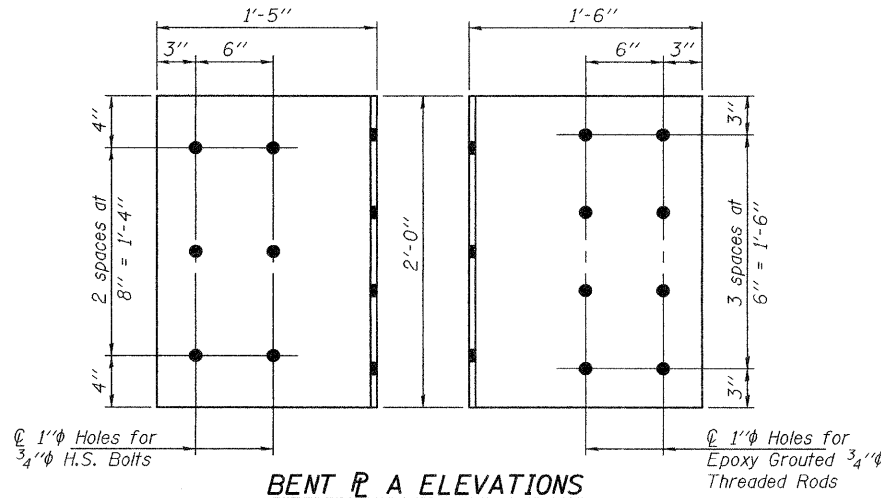
SECTION D-D

SECTION E-E

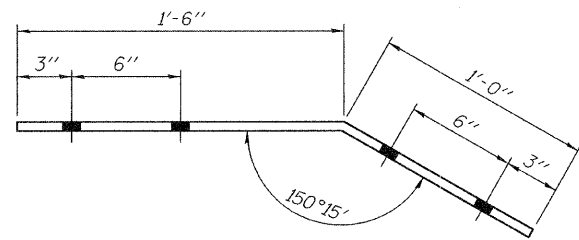


BENT PLATE A

1/2" x 2'-11" x 2'-0"
(8 Required)

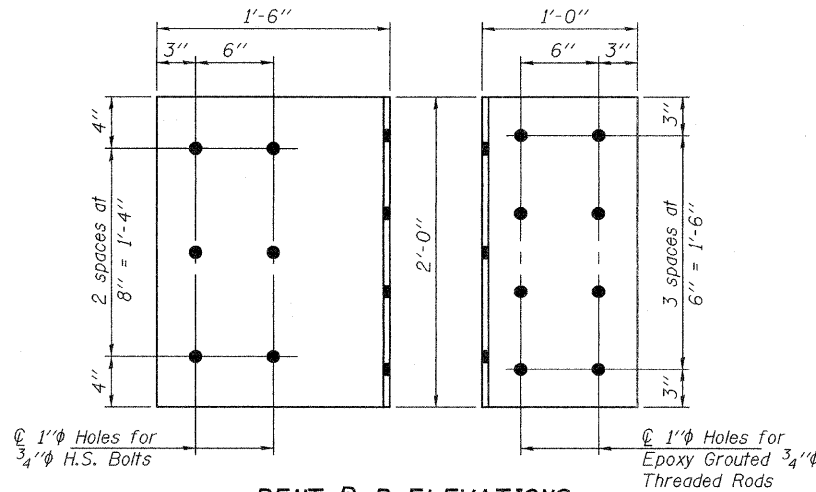


BENT PLATE A ELEVATIONS

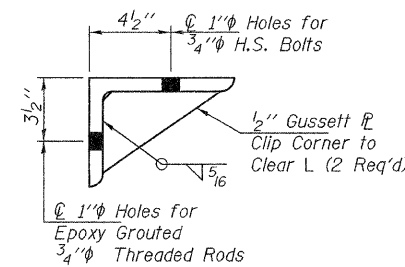


BENT PLATE B

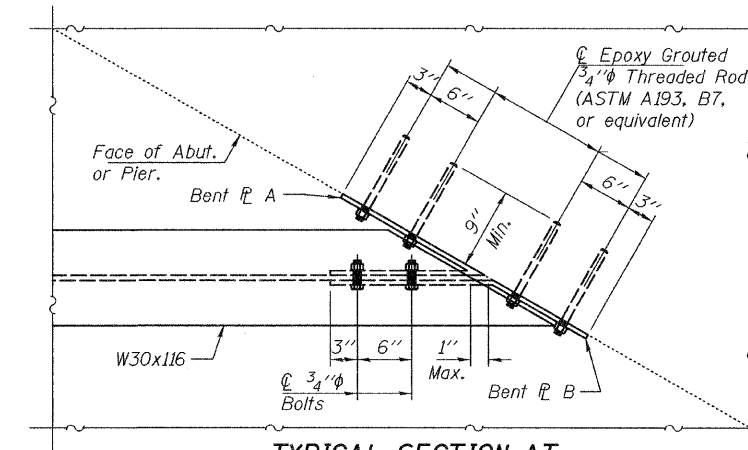
1/2" x 2'-6" x 2'-0"
(8 Required)



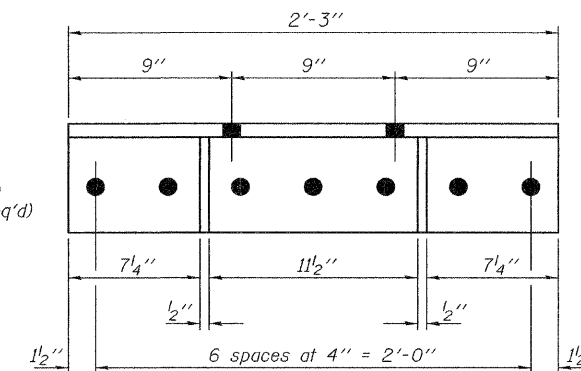
BENT PLATE B ELEVATIONS



SECTION THRU L.C.



TYPICAL SECTION AT
END OF SUPPORT BEAMS



L.C.
L 8 x 6 x 3/4 x 2'-3"
(8 Required)

REPAIR DETAILS
U.S. 20 OVER CANADIAN NATIONAL
ILLINOIS CENTRAL RAILROAD
SN 089-0003

DESIGNED	GGE
CHECKED	VHV
DRAWN	Kyle M. Steffen
CHECKED	GGE VHV

JANUARY 13, 2009
EXAMINED *A. Carl Hoyer*
ENGINEER OF STRUCTURAL SERVICES
PASSED *Ralph E. Anderson*
ENGINEER OF BRIDGES AND STRUCTURES

SHEET NO. 2 2 SHEETS	F.A.P. RTE.	SECTION	COUNTY	TOTAL SHEETS	SHEET NO.
	301	(21VB)M	STEPHENSON	5	5
FED. ROAD DIST. NO.			ILLINOIS FED. AID PROJECT	CONTRACT NO. 64E66	