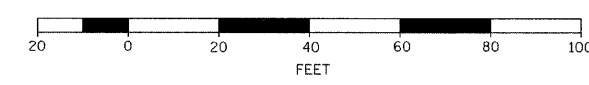


F.A.P. RTE.	SECTION	COUNTY	TOTAL SHEETS	SHEET NO.
*	**	LA SALLE	48	22
STA.		TO STA.		
FED. ROAD DIST. NO.		ILLINOIS FED. AID PROJECT		
* FAP 68 & 68 ALT (IL 23 NB & SB)				
** (35, 51 & 48 CS, 12)TS				

GRAPHIC SCALE

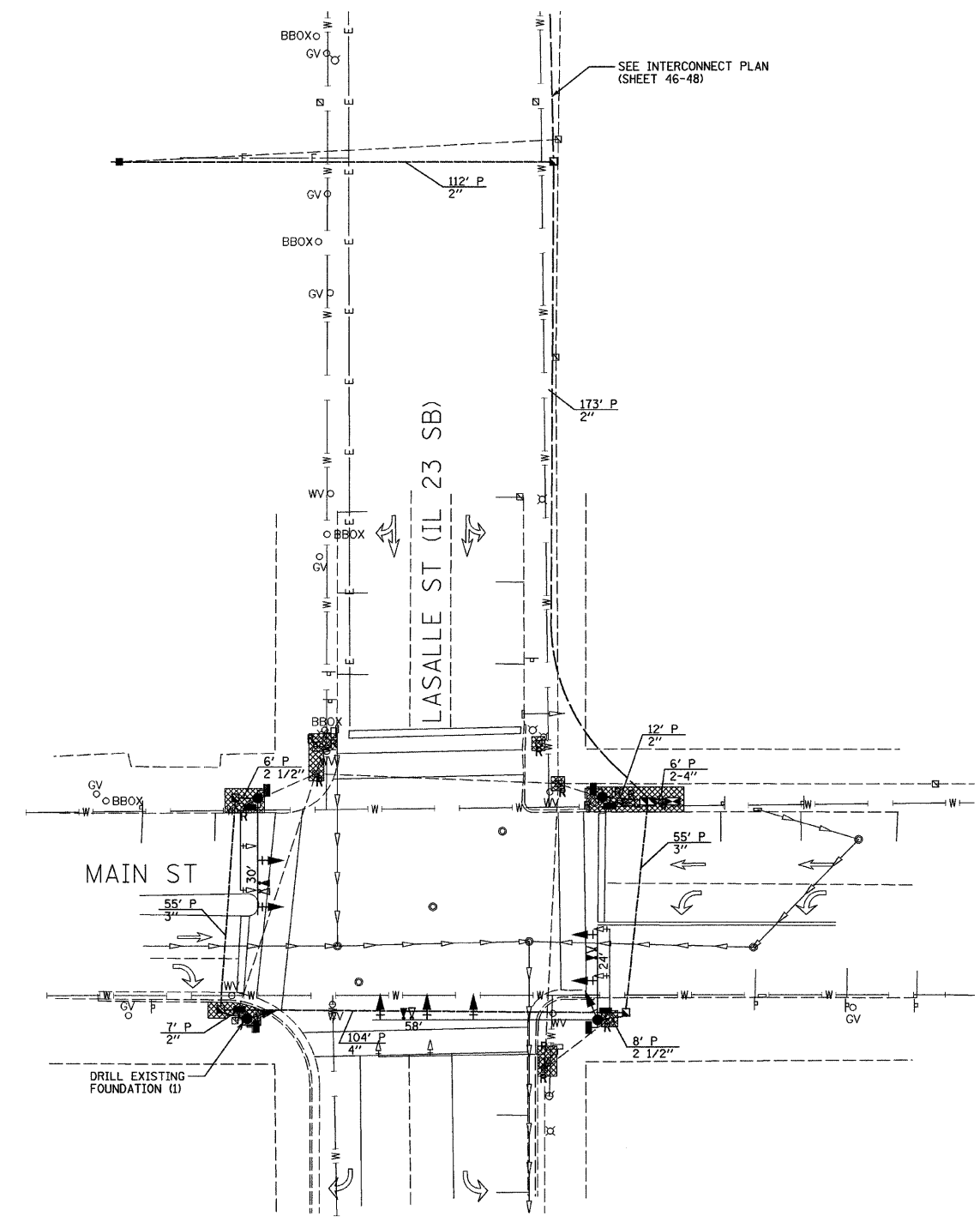


CONSTRUCTION NOTES:

- REMOVE AND REPLACE CONTROLLER AND CABINET ON NEW FOUNDATION.
- INSTALL UNINTERRUPTABLE POWER SUPPLY.
- REMOVE EXISTING MAST ARMS AND POLES ON SOUTHEAST CORNER AND REPLACE WITH DUAL MAST ARM AND POLE ON NEW FOUNDATION AS SHOWN.
- REMOVE EXISTING MAST ARM AND POLE ON NORTHWEST CORNER AND REPLACE WITH MAST ARM AND POLE ON NEW FOUNDATION AS SHOWN.
- REMOVE AND REPLACE TRAFFIC SIGNAL POST ON NORTHEAST CORNER ON NEW FOUNDATION AS SHOWN.
- REMOVE AND REPLACE TRAFFIC SIGNAL POST ON SOUTHWEST CORNER ON EXISTING FOUNDATION AS SHOWN. CONTRACTOR SHALL MEASURE AND PROVIDE BOLT PATTERN DETAILS TO POST SUPPLIER PRIOR TO FABRICATION TO ENSURE COMPATIBILITY.
- NEW HANDHOLES SHALL BE UTILIZED AS SHOWN.
- ALL EXISTING SIGNAL CABLE IN CONDUIT SHALL BE REMOVED.
- EXISTING FOUNDATIONS SHALL BE REMOVED AS SHOWN.
- REMOVAL OF THE FOLLOWING ITEMS SHALL BE PAID FOR AS REMOVE EXISTING TRAFFIC SIGNAL EQUIPMENT:
 - 1 EACH - CONTROLLER AND CABINET W/ ALL CONTENTS
 - 3 EACH - TRAFFIC SIGNAL POST
 - 3 EACH - MAST ARM AND POLE
 - 5 EACH - SIGNAL HEAD, 1-FACE, 3-SECTION, MAST ARM MOUNTED
 - 1 EACH - SIGNAL HEAD, 1-FACE, 4-SECTION, BRACKET MOUNTED
 - 1 EACH - SIGNAL HEAD, 1-FACE, 4-SECTION, MAST ARM MOUNTED
 - 8 EACH - PEDESTRIAN SIGNAL HEAD, 1-FACE, BRACKET MOUNTED

SCHEDULE OF QUANTITIES

ITEM NO.	DESCRIPTION	UNIT	TOTAL QUANTITY
42400100	PORTLAND CEMENT CONCRETE SIDEWALK, 4 INCH	SQ FT	382.9
44000600	SIDEWALK REMOVAL	SQ FT	405
50200400	ROCK EXCAVATION FOR STRUCTURES	CU YD	1.3
72000100	SIGN PANEL - TYPE 1	SQ FT	45
81021330	CONDUIT PUSHED, 2" DIA., PVC	FOOT	19
81021340	CONDUIT PUSHED, 2 1/2" DIA., PVC	FOOT	14
81021350	CONDUIT PUSHED, 3" DIA., PVC	FOOT	110
81021370	CONDUIT PUSHED, 4" DIA., PVC	FOOT	116
81400700	HANDHOLE, PORTLAND CEMENT CONCRETE	EACH	3
81400720	DOUBLE HANDHOLE, PORTLAND CEMENT CONCRETE	EACH	1
85000200	MAINTENANCE OF EXISTING TRAFFIC SIGNAL INSTALLATION	EACH	1
85700205	FULL-ACTUATED CONTROLLER AND TYPE IV CABINET, SPECIAL	EACH	1
86200300	UNINTERRUPTABLE POWER SUPPLY, EXTENDED	EACH	1
86400100	TRANSCEIVER-FIBER OPTIC	EACH	1
87301225	ELECTRIC CABLE IN CONDUIT, SIGNAL NO. 14 3C	FOOT	1304
87301245	ELECTRIC CABLE IN CONDUIT, SIGNAL NO. 14 5C	FOOT	1225.5
87301255	ELECTRIC CABLE IN CONDUIT, SIGNAL NO. 14 7C	FOOT	538.5
87301805	ELECTRIC CABLE IN CONDUIT, SERVICE, NO. 6 2C	FOOT	316.5
87502270	TRAFFIC SIGNAL POST, PAINTED STEEL 12 FT.	EACH	1
87502310	TRAFFIC SIGNAL POST, PAINTED STEEL 16 FT.	EACH	1
87700190	STEEL MAST ARM AND ASSEMBLY AND POLE, 30 FT.	EACH	1
87800100	CONCRETE FOUNDATION, TYPE A	FOOT	3
87800150	CONCRETE FOUNDATION, TYPE C	FOOT	3.5
87800415	CONCRETE FOUNDATION, TYPE E, 36 INCH DIAMETER	FOOT	30
87900100	DRILL EXISTING FOUNDATION	EACH	1
88040070	SIGNAL HEAD, POLYCARBONATE, LED, 1-FACE, 3-SECTION, BRACKET MOUNTED	EACH	1
88040090	SIGNAL HEAD, POLYCARBONATE, LED, 1-FACE, 3-SECTION, MAST ARM MOUNTED	EACH	6
88040150	SIGNAL HEAD, POLYCARBONATE, LED, 1-FACE, 5-SECTION, BRACKET MOUNTED	EACH	1
88040160	SIGNAL HEAD, POLYCARBONATE, LED, 1-FACE, 5-SECTION, MAST ARM MOUNTED	EACH	1
88200410	TRAFFIC SIGNAL BACKPLATE, LOUVERED, FORMED PLASTIC	EACH	9
88700200	LIGHT DETECTOR	EACH	3
88700300	LIGHT DETECTOR AMPLIFIER	EACH	1
89502300	REMOVE ELECTRIC CABLE FROM CONDUIT	FOOT	2101
89502375	REMOVE EXISTING TRAFFIC SIGNAL EQUIPMENT	EACH	1
89502380	REMOVE EXISTING HANDHOLE	EACH	7
89502385	REMOVE EXISTING CONCRETE FOUNDATION	EACH	6
X8730027	ELECTRIC CABLE IN CONDUIT, GROUNDING, NO. 6 1C	FOOT	300.5
X8730250	ELECTRIC CABLE IN CONDUIT, COMMUNICATION, NO. 20 3/C, TWISTED, SHIELDED	FOOT	619.5
XX002852	RE-OPTIMIZE TRAFFIC SIGNAL SYSTEM	EACH	1
XX006533	PEDESTRIAN SIGNAL HEAD, POLYCARBONATE, LED, 1-FACE, BRACKET MOUNTED, COUNTDOWN TIMER	EACH	8
*3002035	STEEL MAST ARM AND ASSEMBLY AND POLE WITH DUAL MAST ARMS, 24 FT. AND 58 FT.	EACH	1



TRAFFIC SIGNALS LEGEND

EXISTING	PROPOSED	DESCRIPTION
☒	☒	CONTROLLER CABINET
⊕	⊕	SERVICE INSTALLATION
---	---	CONDUIT
⊕	⊕	SIGNAL HEAD WITH BACKPLATE
○	●	STEEL MAST ARM
○	●	TRAFFIC SIGNAL POST
□	■	HANDHOLE
□	■	DOUBLE HANDHOLE
⊕	⊕	PEDESTRIAN SIGNAL HEAD
◁	◁	LIGHT DETECTOR
◁	◁	CONFIRMATION BEACON

LEGEND

▨	SIDEWALK REMOVAL AND REPLACEMENT
---	----------------------------------

REVISIONS

NAME	DATE

ILLINOIS DEPARTMENT OF TRANSPORTATION
 TRAFFIC SIGNAL PLAN
 FAP 68 ALT (IL 23 SB)/LA SALLE ST
 AND MAIN STREET
 SECTION 35,51 & 48 CS, 12)TS
 LA SALLE COUNTY

SCALE: VERT. 1" = 20'
 HORIZ. 1" = 20'
 DATE 11/08

DRAWN BY ARR
 CHECKED BY JLS

PLOT DATE = 11/08
 FILE NAME = D866769-SHT-TS-LAS-S-MAIN.DGN
 USER = JLS
 PLOT SCALE = 1" = 20'
 USER = ARR