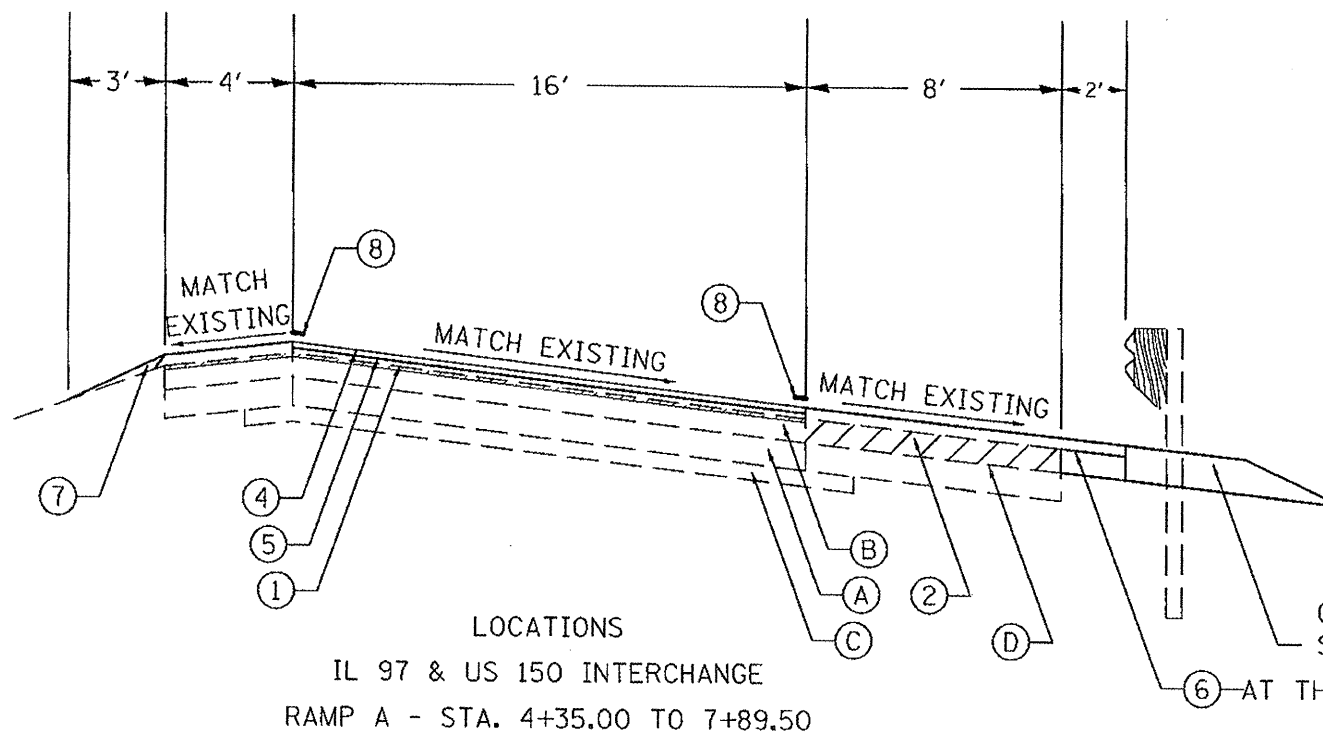


**LEGEND - EXISTING**

- (A) PCC PAVEMENT (7" EB, 10" WB & RAMPS)
- (B) 4 1/2" - 5" BIT. OVERLAY
- (C) SUB-BASE GRAN. MAT., TYPE A
- (D) BITUMINOUS SHOULDER
- (E) COMB. CONC. CURB & GUTTER TYPE B-9.06
- (F) PIPE UNDERDRAIN
- (G) STEEL PLATE BEAM GUARDRAIL
- (H) BITUMINOUS PAVEMENT



**LEGEND - PROPOSED**

- (1) HMA SURFACE REMOVAL, 1-1/2"
- (2) SHOULDER REMOVAL, 8"
- (3) HMA BINDER CSE., 2-1/4"
- (4) HMA SURFACE CSE., 1-1/2"
- (5) HMA LEVELING BINDER, 3/4"
- (6) HMA SHOULDER, 3-3/4"
- (7) AGGREGATE SHOULDER, TYPE B
- (8) EPOXY PAVEMENT MARKING
- (9) PREFORMED PLASTIC PAVEMENT MARKING, TYPE B
- (10) SHOULDER RUMBLE STRIP
- (11) STRIP REFLECTIVE CRACK CONTROL TREATMENT SYSTEM A

GUARDRAIL AGGREGATE EROSION CONTROL:  
SEE DISTRICT CADD STANDARD 630101  
⑥-AT THIS LOCATION BITUMINOUS SHOULDER IS 8" THICK

FILE NAME =	USER NAME = torcjs	DESIGNED -	REVISED -
68602 PLANS - Revised sheets as 01-02-9	adgn	DRAWN -	REVISED -
PLOT SCALE = 48.0000' / IN.		CHECKED -	REVISED -
PLOT DATE = 1/2/2009		DATE -	REVISED -

**STATE OF ILLINOIS  
DEPARTMENT OF TRANSPORTATION**

TYPICAL SECTIONS - RAMPS	
SCALE:	SHEET NO. 3 OF 5 SHEETS STA. TO STA.

F.A.I. RTE.	SECTION	COUNTY	TOTAL SHEETS	SHEET NO.
74	48(27RS-3/2THB-5)1, 1-1)	KNOX	104	11
CONTRACT NO. 68062			ILLINOIS FED. AID PROJECT	