

ROUTE NO.	SECTION	COUNTY	TOTAL SHEETS	SHEET NO.
F.A.U. 6757 (U.S. 150)	(105B)BR-2	TAZEWELL	133	58
FED. ROAD DIST. NO. 7	ILLINOIS	FED. AID PROJECT-		

SHEET NO. 8
18 SHEETS

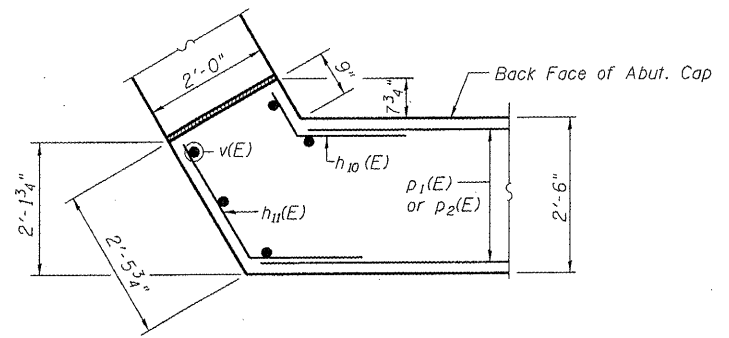
CONTRACT NO. 68096

BILL OF MATERIAL
(West Abutment & wingwalls)

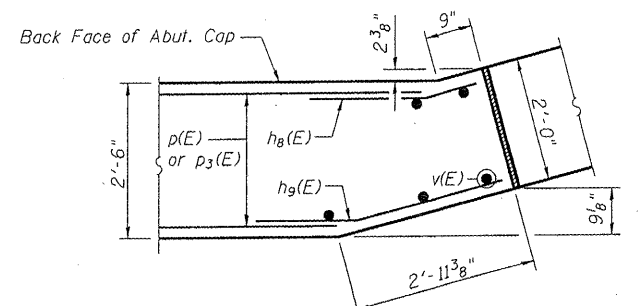
Bar	No.	Size	Length	Shape
h ₆ (E)	48	#5	33'-3"	—
h ₇ (E)	48	#5	28'-9"	—
h ₈ (E)	4	#5	4'-1"	—
h ₉ (E)	4	#5	6'-3"	—
h ₁₀ (E)	4	#5	4'-2"	—
h ₁₁ (E)	4	#5	5'-8"	—
h ₁₂ (E)	8	#5	5'-0"	—
h ₁₃ (E)	8	#5	5'-3"	—
h ₁₄ (E)	8	#5	4'-5"	—
h ₁₅ (E)	8	#5	5'-5"	—
h ₁₆ (E)	6	#5	6'-2"	—
h ₁₉ (E)	6	#5	31'-8"	—
h ₂₀ (E)	16	#5	4'-0"	—
p ₂ (E)	33	#7	34'-4"	—
p ₃ (E)	33	#7	29'-5"	—
s ₂ (E)	155	#5	11'-1"	□
s ₃ (E)	2	#5	15'-5"	□
s ₄ (E)	75	#5	5'-0"	□
u(E)	3	#5	11'-0"	└
v(E)	357	#5	3'-5"	—
v ₁ (E)	357	#5	9'-5"	—
v ₂ (E)	8	#5	13'-1"	—
Structure Excavation	Cu. Yd.	355		
Concrete Structures	Cu. Yd.	160.9		
Concrete Encasement	Cu. Yd.	8.0		
Reinforcement Bars, Epoxy Coated	Pound	15100		
Furnishing Steel Piles HP 12x53	Foot	1474		
Driving Piles	Foot	1474		
Test Pile Steel HP 12x53	Each	1		
Underwater Structure Excavation Protection - Location No. 1	Each	1		
Permanent Steel Sheet Piling	Sq. Ft.	1294		

BILL OF MATERIAL
(East Abutment & wingwalls)

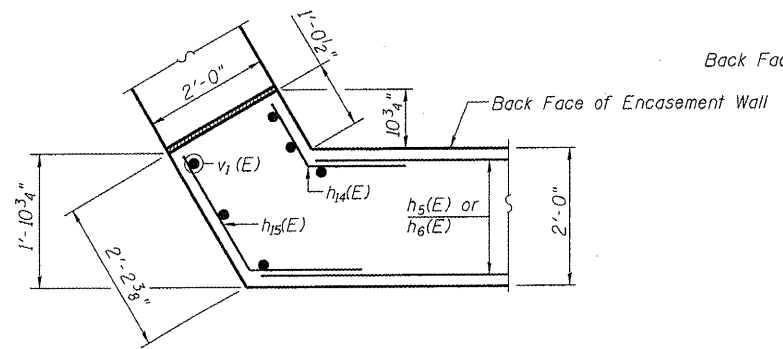
Bar	No.	Size	Length	Shape
h ₄ (E)	32	#5	30'-4"	—
h ₅ (E)	64	#5	31'-6"	—
h ₈ (E)	4	#5	4'-1"	—
h ₉ (E)	4	#5	6'-3"	—
h ₁₀ (E)	4	#5	4'-2"	—
h ₁₁ (E)	4	#5	5'-8"	—
h ₁₂ (E)	8	#5	5'-0"	—
h ₁₃ (E)	8	#5	5'-3"	—
h ₁₄ (E)	8	#5	4'-5"	—
h ₁₅ (E)	8	#5	5'-5"	—
h ₁₆ (E)	6	#5	11'-8"	—
h ₁₇ (E)	6	#5	29'-8"	—
h ₂₀ (E)	16	#5	4'-0"	—
p(E)	22	#7	30'-9"	—
p ₁ (E)	44	#7	32'-5"	—
s ₂ (E)	155	#5	11'-1"	□
s ₃ (E)	2	#5	15'-5"	□
s ₄ (E)	78	#5	5'-0"	□
u(E)	3	#5	11'-0"	└
v(E)	357	#5	3'-5"	—
v ₁ (E)	358	#5	9'-5"	—
v ₂ (E)	8	#5	13'-1"	—
Structure Excavation	Cu. Yd.	355		
Concrete Structures	Cu. Yd.	161.4		
Concrete Encasement	Cu. Yd.	8.0		
Reinforcement Bars, Epoxy Coated	Pound	15160		
Furnishing Steel Piles HP 12x53	Foot	1541		
Driving Piles	Foot	1541		
Underwater Structure Excavation Protection - Location No. 2	Each	1		
Permanent Steel Sheet Piling	Sq. Ft.	1406		



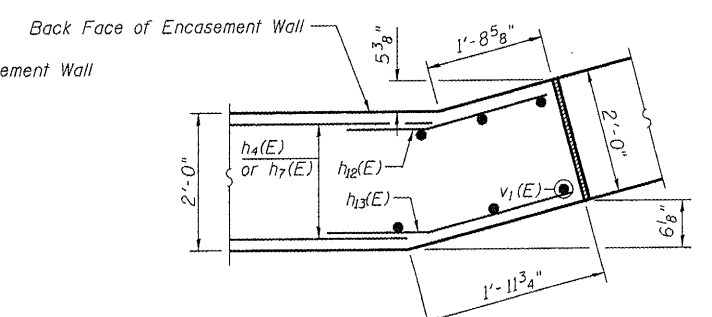
DETAIL A



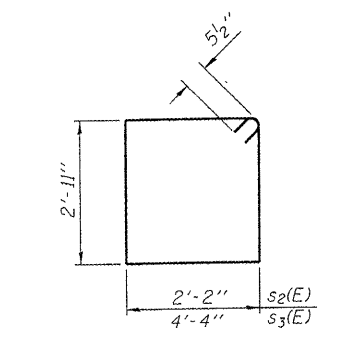
DETAIL B



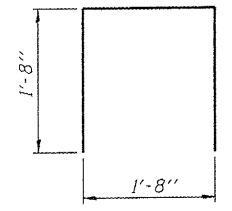
DETAIL C



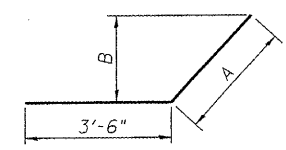
DETAIL D



BARS s₂(E) AND s₃(E)

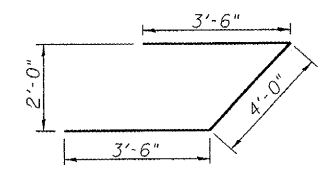


BAR s₄(E)



BARS h₈(E) THRU h₁₅(E)

Bar	A	B
h ₈ (E)	7"	1' 1/8"
h ₉ (E)	2'-9"	8 1/2"
h ₁₀ (E)	8"	7"
h ₁₁ (E)	2'-2"	1'-10 1/2"
h ₁₂ (E)	1'-6"	4 3/8"
h ₁₃ (E)	1'-9"	5 3/8"
h ₁₄ (E)	11"	9 1/2"
h ₁₅ (E)	1'-11"	1'-8"



BAR u(E)

Lin Engineering, Ltd.
Consulting Engineers
Chesham, Illinois

Designed By: RKM
Checked By: WTH
Date: 08/2007

Drawn By: ADB
File: 090-0175.DGN

REVISIONS	
NAME	DATE

ILLINOIS DEPARTMENT OF TRANSPORTATION
ABUTMENT DETAILS
U.S. ROUTE 150 OVER
LITTLE FARM CREEK
F.A.U. ROUTE 6757 SECTION (105B)BR-2
TAZEWELL COUNTY
STA. 49+20.43
S.N. 090-0175

\$ FILE ABBREV \$
 \$ TIME \$
 \$ DATE \$