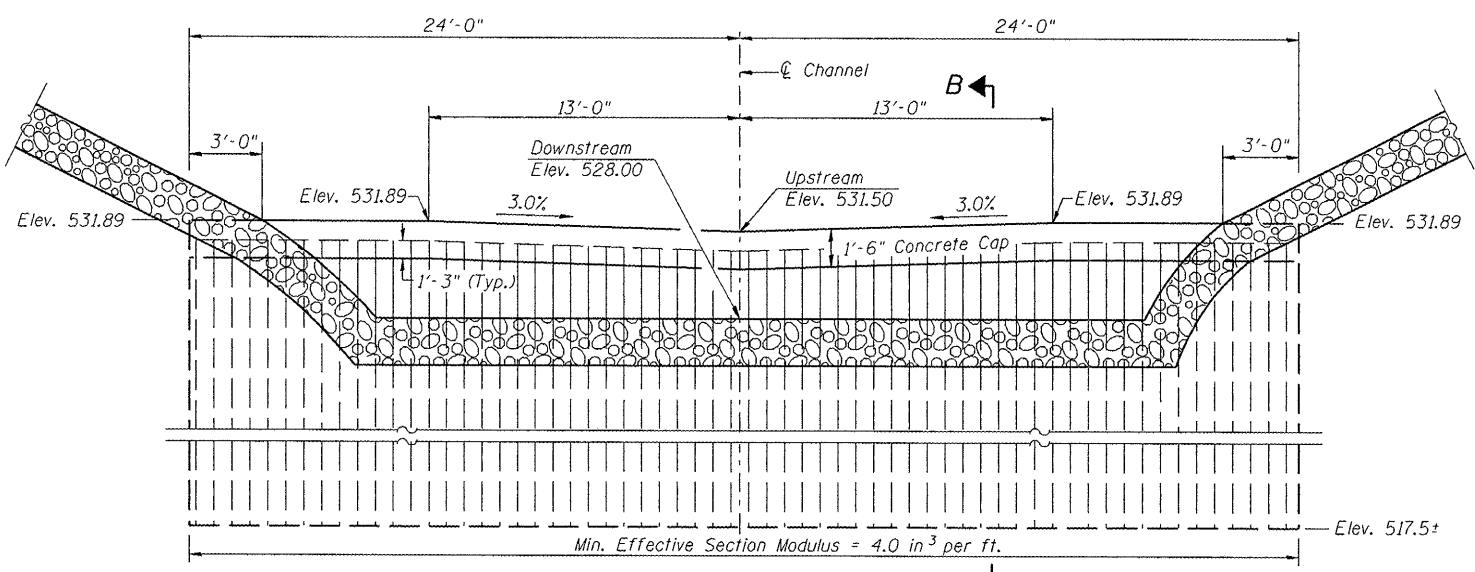
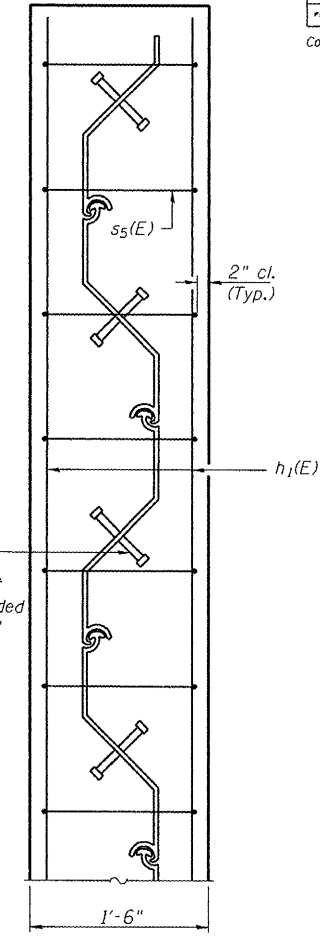


ROUTE NO.	SECTION	COUNTY	% SHEETS	SHEET NO.	SHEET NO.
FAU 6757 (US 150)	(105B) BR-3	Tazewell	133	72	4
FED. ROAD DIST. NO. 7	ILLINOIS	FED. AID PROJECT			24 SHEETS

Contract #68086

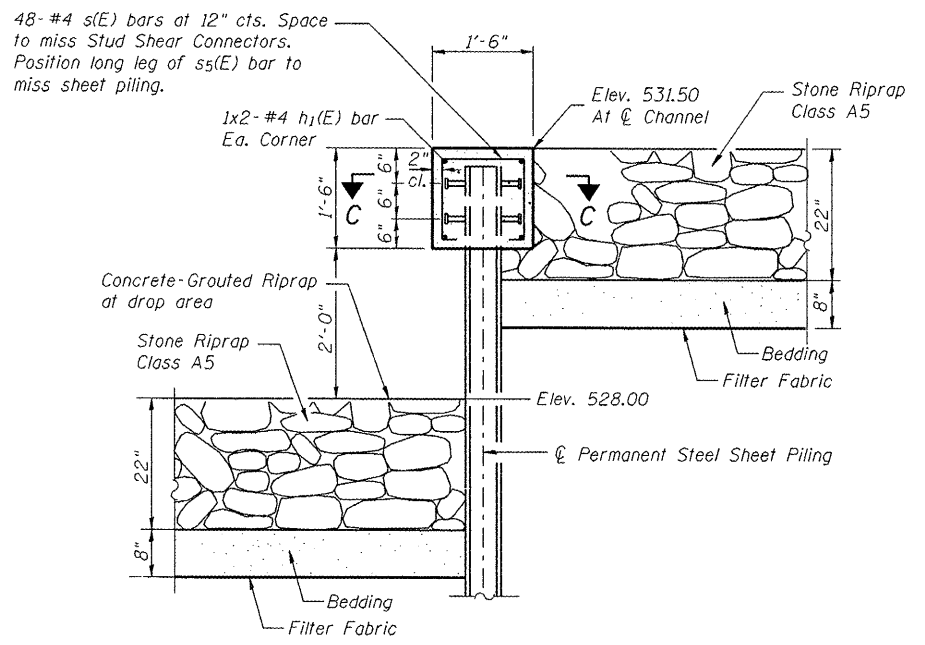


**VIEW OF DROP STRUCTURE B**  
(Looking Upstream)  
(Horiz. dim. @ Rt. L's)

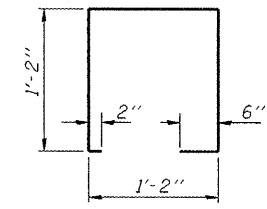


**SECTION C-C**

$\frac{3}{4}$ "  $\phi$  x 8" Granular or Solid Flux Filled Headed Stud according to Art. 1006.32 of the Std. Spec's. at center of each sheeting. Cost included with "Permanent Steel Sheet Piling."



**SECTION B-B**



**BAR s5(E)**

**BILL OF MATERIAL**

Bar	No.	Size	Length	Shape
h <sub>1</sub> (E)	8	#4	24'-9"	—
s <sub>5</sub> (E)	48	#4	4'-2"	□
Concrete Structures			Cu. Yd.	4.0
Reinforcement Bars, Epoxy Coated			Pound	270
Underwater Structure Excavation Protection - Location No. 3			Each	1
Permanent Steel Sheet Piling			Sq. Ft.	679

Bars indicated thus 1x2-#4 etc. indicates 1 lines of bars with 2 lengths per line.

If a portion of the pier wall or concrete encasement is under water, reinforcement may be placed underwater into forms. Concrete shall be tremied according to Article 503.08 of the Standard Specifications to an elevation of 1'-0" above the water line at the time of construction.

**MINIMUM BAR LAP**  
#4 bar = 1'-8"

**REVISIONS**

NAME	DATE

**Lin Engineering, Ltd.**  
Consulting Engineers  
Chatham, Illinois

Designed By: RRM Checked By: DLS Drawn By: AJF  
Date: 10/07 File: 090-0176.DGN

ILLINOIS DEPARTMENT OF TRANSPORTATION  
**DROP STRUCTURE DETAILS**  
U.S. 150 OVER LITTLE FARM CREEK  
F.A.U. ROUTE 6757 SECTION (105B)BR-3  
TAZEWELL COUNTY  
STA. 89+80.58  
S.N. 090-0176

11/20/2008 9:21:25 PM ...:\Struct\SN090-0176\090-0176.dgn