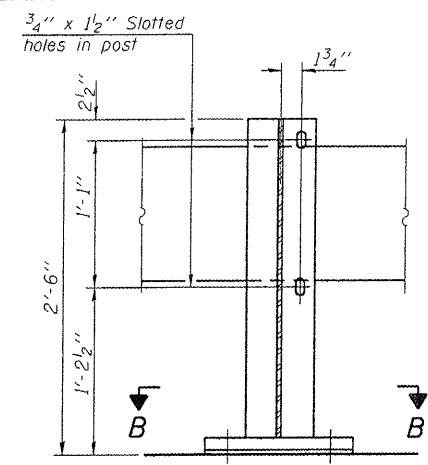
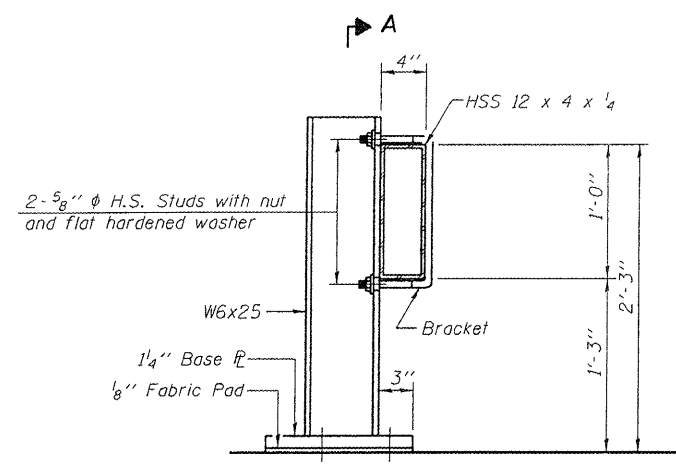


ROUTE NO.	SECTION	COUNTY	SHEETS	SHEET	SHEET NO.
FAU 6757 (US 150)	(105B) BR-3	Tazewell	133	84	24 SHEETS
FED. ROAD DIST. NO. 7	ILLINOIS	FED. AID PROJECT			

Contract #68086

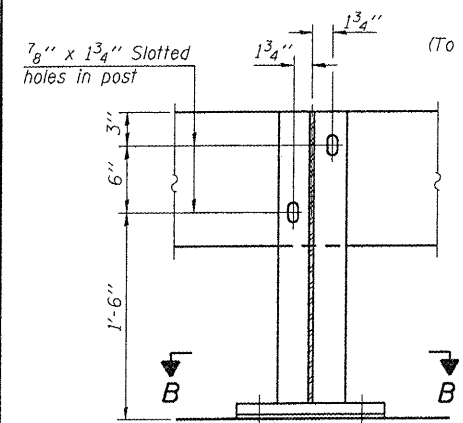


SECTION A-A



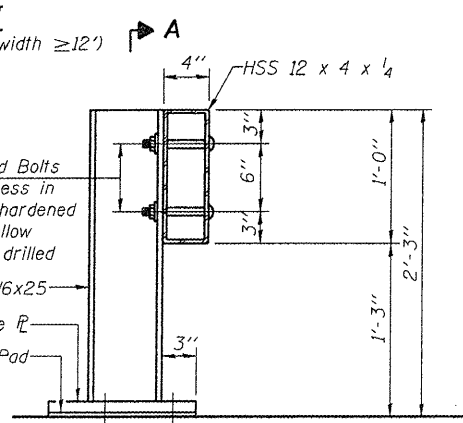
SECTION AT RAIL POST

ALTERNATE I
(To be used only for Roadway width $\geq 12'$)



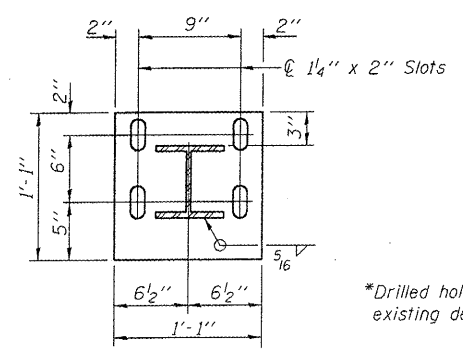
SECTION A-A

2-3/4" ϕ x 6" Round Head Bolts (With slot or approved recess in head) with locknut & flat hardened washer. 7/8" ϕ holes in hollow structural section may be drilled in the field.



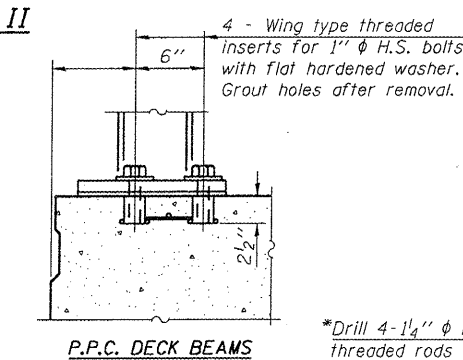
SECTION AT RAIL POST

ALTERNATE II



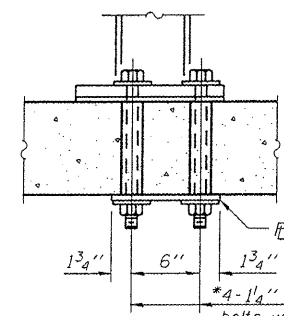
SECTION B-B

*Drilled holes for existing deck.

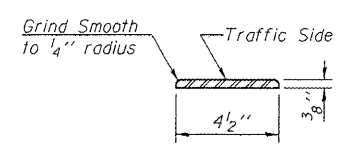


P.P.C. DECK BEAMS

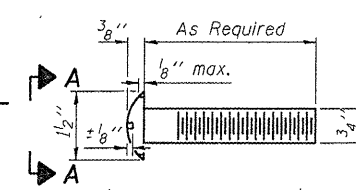
*Drill 4-1 1/4" ϕ holes for 1" ϕ threaded rods with hex nut and flat washer. Drill and set rods according to Article 509.06 of the Standard Specifications.



NEW & EXISTING DECKS
ANCHORAGE DETAILS

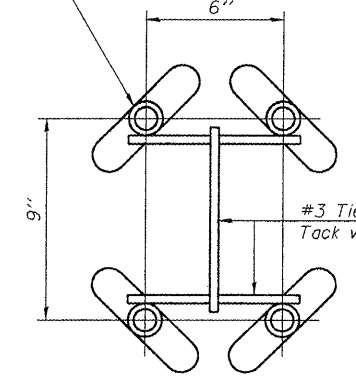


DETAIL A

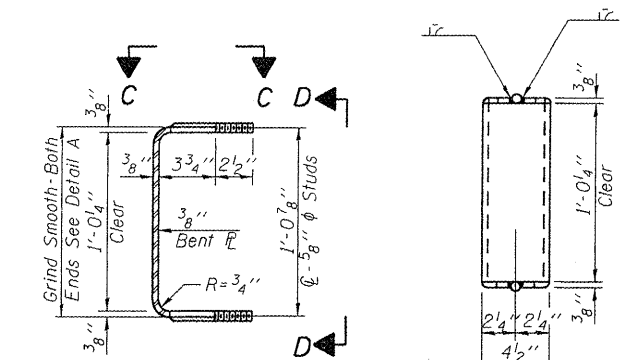


VIEW A-A
ROUND HEAD BOLT

1" ϕ Flared thin slab ferrule insert. Electroplated according to ASTM B 633 Service Condition 4.

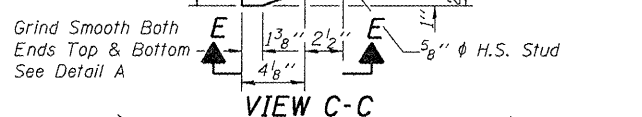


INSERT DETAIL

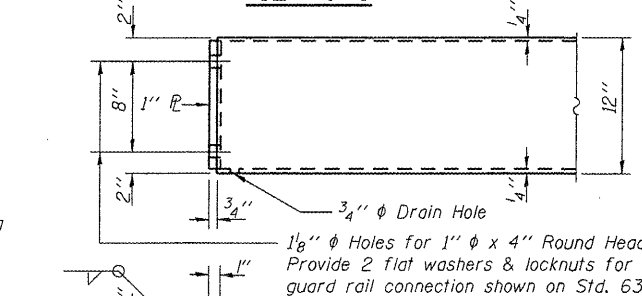


SECTION THRU BRACKET

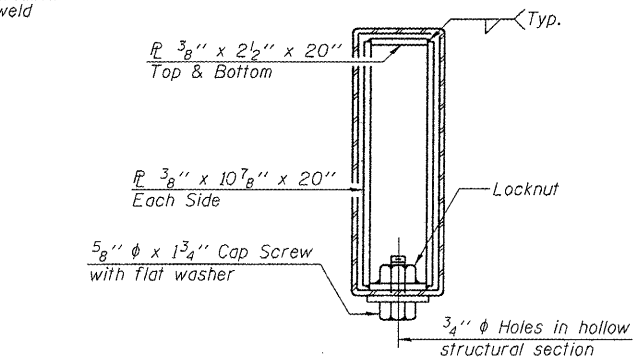
VIEW D-D



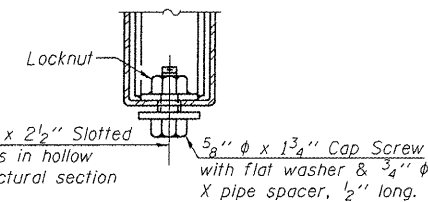
VIEW C-C



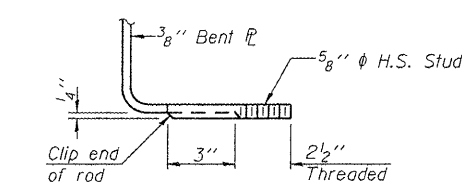
END OF RAIL DETAILS



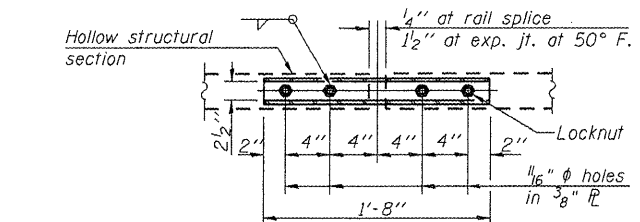
SECTION AT RAIL SPLICE



RAIL SPLICE CONNECTION
AT EXPANSION JT.

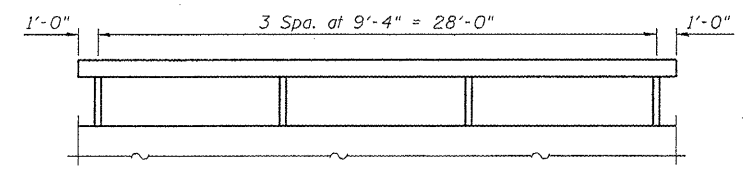


VIEW E-E



PLAN-BOTT. SPLICE R
TYPICAL

Notes:
The contact surfaces between post flange, rail and inside face of bracket for Alternate I shall be free of all lubricants.
The nut for 5/8" ϕ high strength studs used in Alternate I to connect bracket to post shall be tightened to a snug fit and given an additional one half turn.



TEMPORARY BRIDGE RAIL POST SPACING

BILL OF MATERIAL

Item	Unit	Quantity
Steel Railing (Temporary)	Foot	30

Lin Engineering, Ltd.
Consulting Engineers
Chatham, Illinois

Designed By: RKM
Checked By: DLS
Date: 10/07

Drawn By: AJF
File: 090-0176.DWG

REVISIONS	
NAME	DATE

ILLINOIS DEPARTMENT OF TRANSPORTATION
STEEL RAILING (TEMPORARY)
U.S. 150 OVER LITTLE FARM CREEK
F.A.U. ROUTE 6757 SECTION (105B)BR-3
Tazewell County
STA. 89+80.58
S.N. 090-0176

\$FILEABBREV\$
\$TIME\$
\$DATE\$