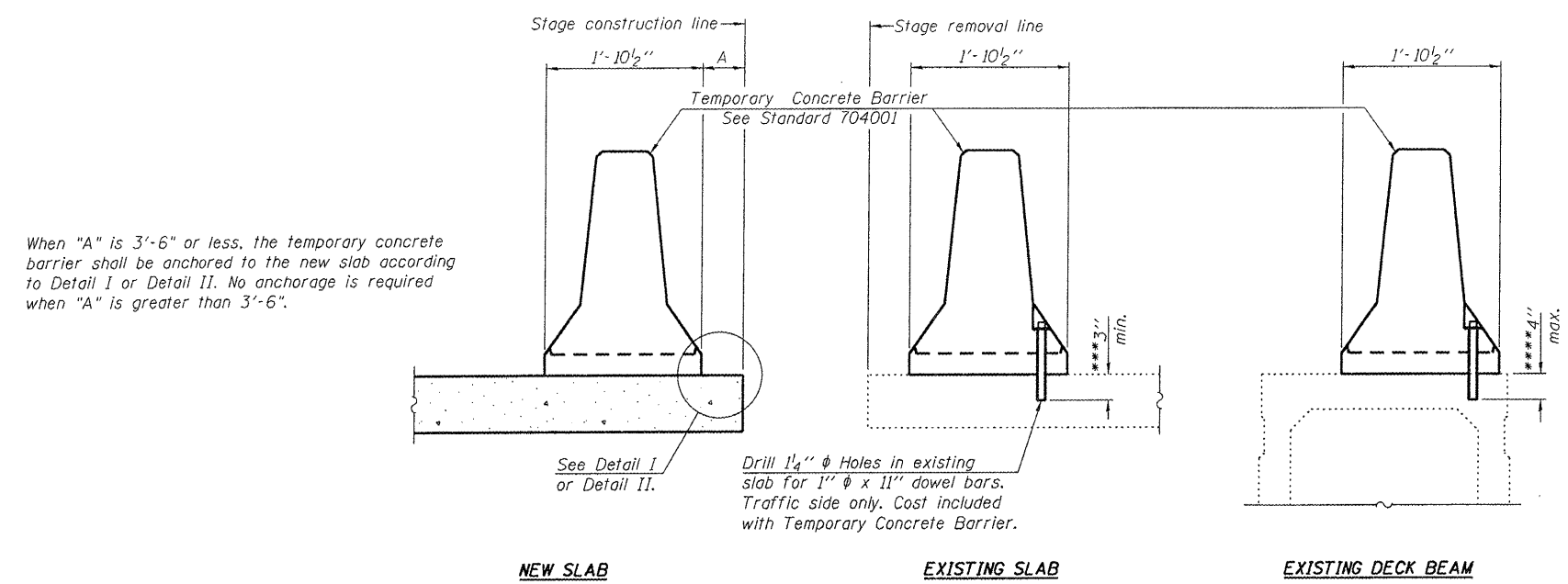


ROUTE NO.	SECTION	COUNTY	SHEET	SHEET	SHEET NO. 17 24 SHEETS
FAU 6757 (US 150)	(105B) BR-3	Tazewell	133	85	
FED. ROAD DIST. NO. 7	ILLINOIS	FED. AID PROJECT			

Contract #68086



When "A" is 3'-6" or less, the temporary concrete barrier shall be anchored to the new slab according to Detail I or Detail II. No anchorage is required when "A" is greater than 3'-6".

NEW SLAB **EXISTING SLAB** **EXISTING DECK BEAM**

SECTIONS THRU SLAB OR DECK BEAM

NOTES

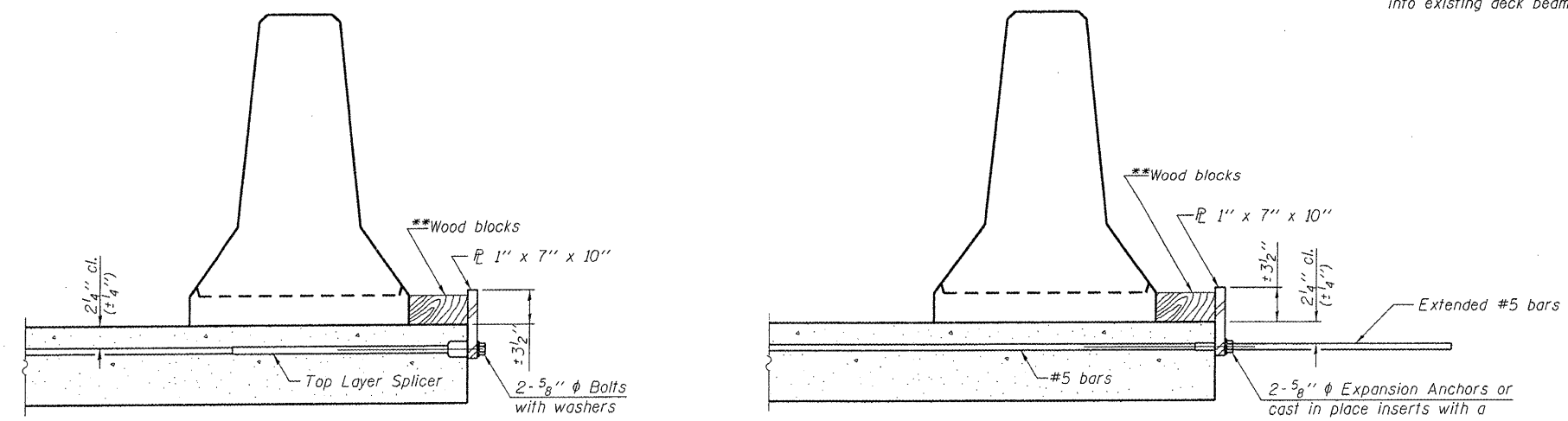
Detail I - With Bar Splicer or Couplers:
Connect one (1) 1"x7"x10" steel PL to the top layer of couplers with 2-5/8" φ bolts screwed to coupler at approximate CL of each barrier panel.

Detail II - With Extended Reinforcement Bars:
Connect one (1) 1"x7"x10" steel PL to the concrete slab or concrete wearing surface with 2-5/8" φ Expansion Anchors or cast in place inserts spaced between the top layer of reinforcement at approximate CL of each barrier panel.

Cost of anchorage is included with Temporary Concrete Barrier. The 1" x 7" x 10" plate shall not be removed until stage II construction forms and all reinforcement bars are in place and the concrete is ready to be placed.

***Dimension shown is minimum required embedment into concrete. If hot-mix asphalt wearing surface is present, minimum embedment shall be in addition to wearing surface depth.

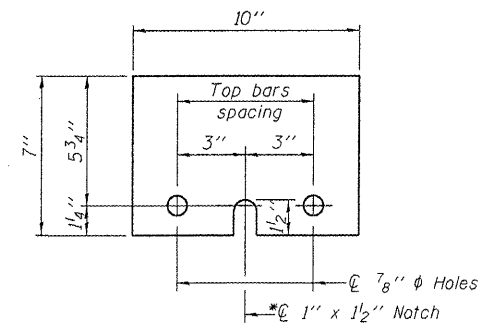
***If existing deck beam is to remain in place after stage construction, embedment shall only be into wearing surface and not into existing deck beam concrete.



DETAIL I

DETAIL II

**Wood blocks may be omitted when required to provide minimum stage traffic lane width. When the wood blocks are omitted, the concrete barrier shall be in direct contact with the steel retainer plate.



STEEL RETAINER PL 1" x 7" x 10"

* Required only with Detail II

\$FILE ABBREV \$
\$TIME \$
\$DATE \$

R-27 9-3-07

LI ENGINEERING, LTD.
Consulting Engineers
Chesham, Illinois

REVISIONS	
NAME	DATE

ILLINOIS DEPARTMENT OF TRANSPORTATION
TEMPORARY CONCRETE BARRIER
U.S. 150 OVER LITTLE FARM CREEK
F.A.U. ROUTE 6757 SECTION (105B)BR-3
TAEWELL COUNTY
STA. 89+80.58
S.N. 090-0176

Designed By: RKW Checked By: OLS Drawn By: AJP
Date: 10/01 File: 090-0176.D01