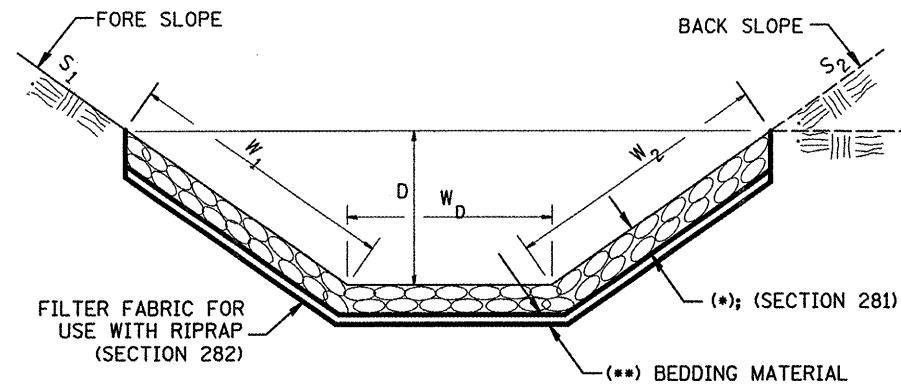


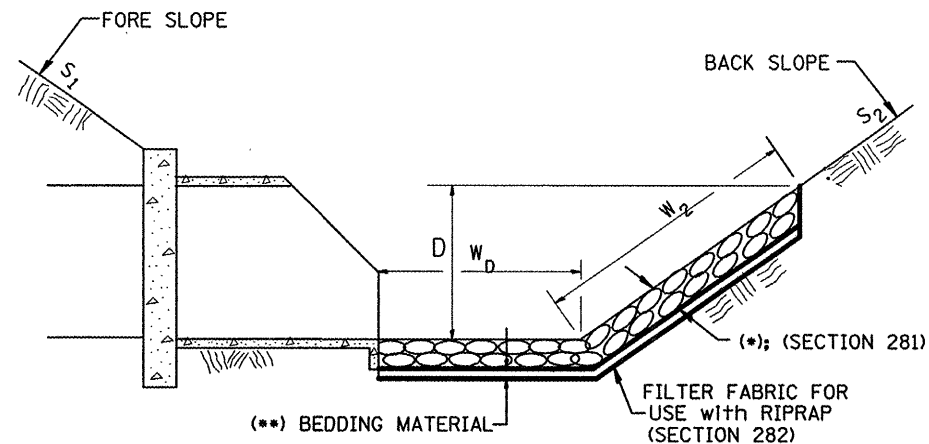
**CASE 1
(DITCH)**



(*)				
LOCATION	WIDTH (1)	LENGTH	RIPRAP	FABRIC
STA TO STA	lin ft (m)	lin ft (m)	tons (m tons)	sq yds (m ²)
TOTAL				

(1) WIDTH = $W_1 + W_2 + W_D$

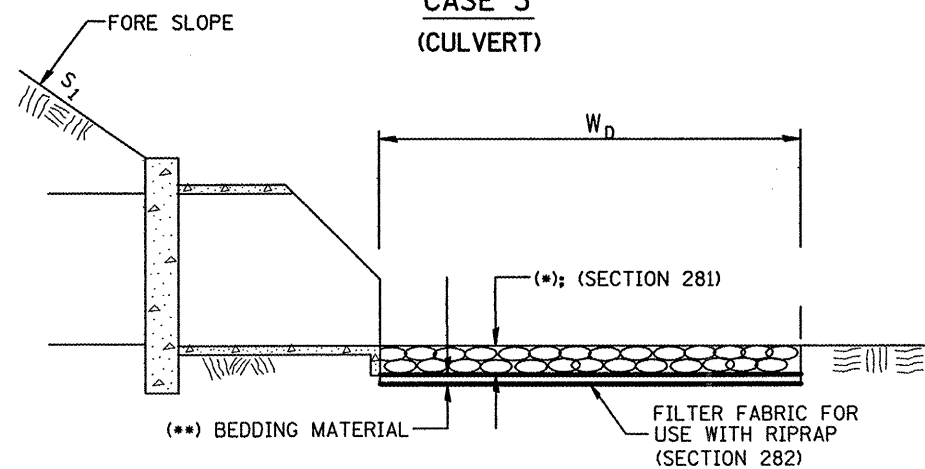
**CASE 2
(CULVERT & SLOPE)**



(*)				
LOCATION	WIDTH (1)	LENGTH	RIPRAP	FABRIC
STA TO STA	lin ft (m)	lin ft (m)	tons (m tons)	sq yds (m ²)
TOTAL				

(1) WIDTH = $W_2 + W_D$

**CASE 3
(CULVERT)**



(*)				
LOCATION	WIDTH (1)	LENGTH	RIPRAP	FABRIC
STA TO STA	lin ft (m)	lin ft (m)	tons (m tons)	sq yds (m ²)
TOTAL				

(1) WIDTH = W_D

All slope ratios are expressed as units of vertical displacement to units of horizontal displacement (V:H).

All dimensions are in inches (millimeters) unless otherwise noted.

DATE	REVISIONS	BY
1-1-97	RENUM. A-12.02. NEW REVISION BOX	T.P.
12-1-97	CORRECT FILTER FABRIC LEADER ARROW	J.A.
10-16-06	REVISED TO 2007 SPEC.	M.A.

RIPRAP DITCH FOR EROSION PROTECTION

Designer NOTES:
 1. Designer to modify this Special Detail Sheet, as needed for inclusion in plans.
 2. (*) Designer to specify pay item including material, quality, and gradation.
 3. (**) Designer to specify thickness of bedding material.
 4. Include District Special Provision if needed.

FILE NAME = ...District Standards 200.dgn

USER NAME = Plotted by new6
 PLOT SCALE = 100.0000 "/ IN.
 PLOT DATE = 7/29/2008

DESIGNED -
 DRAWN -
 CHECKED -
 DATE -

REVISED -
 REVISED -
 REVISED -
 REVISED -

STATE OF ILLINOIS
 DEPARTMENT OF TRANSPORTATION

DISTRICT STANDARDS
 US 150 OVER LITTLE FARM CREEK

SCALE: N.T.S. SHEET NO. OF SHEETS STA. TO STA.

F.A.U. RTE.	SECTION	COUNTY	TOTAL SHEETS	SHEET NO.
6757	(105B) BR-2, (105B) BR-3	TAZEWELL	100	133
CONTRACT NO. 68086				
FED. ROAD DIST. NO. ILLINOIS FED. AID PROJECT				