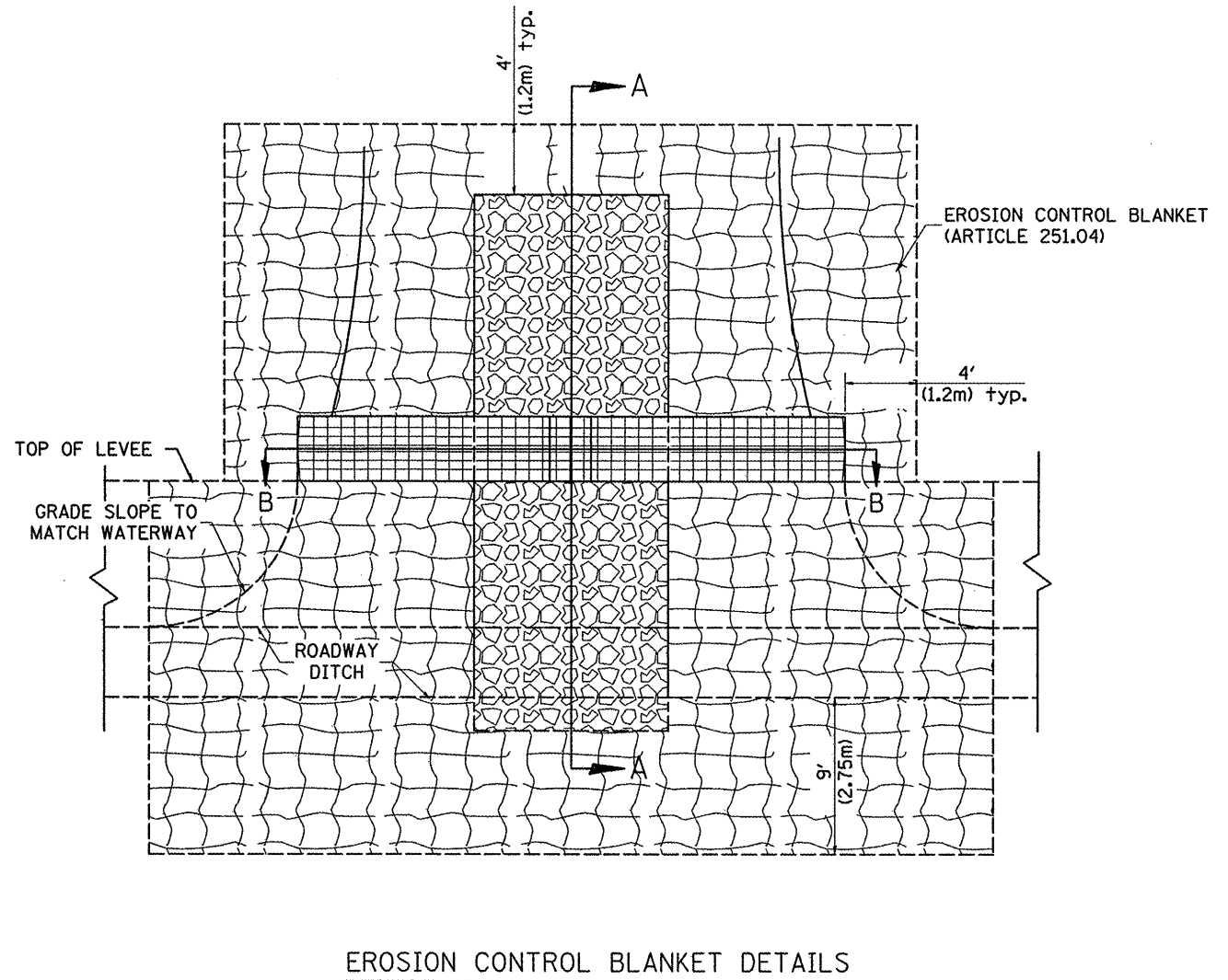
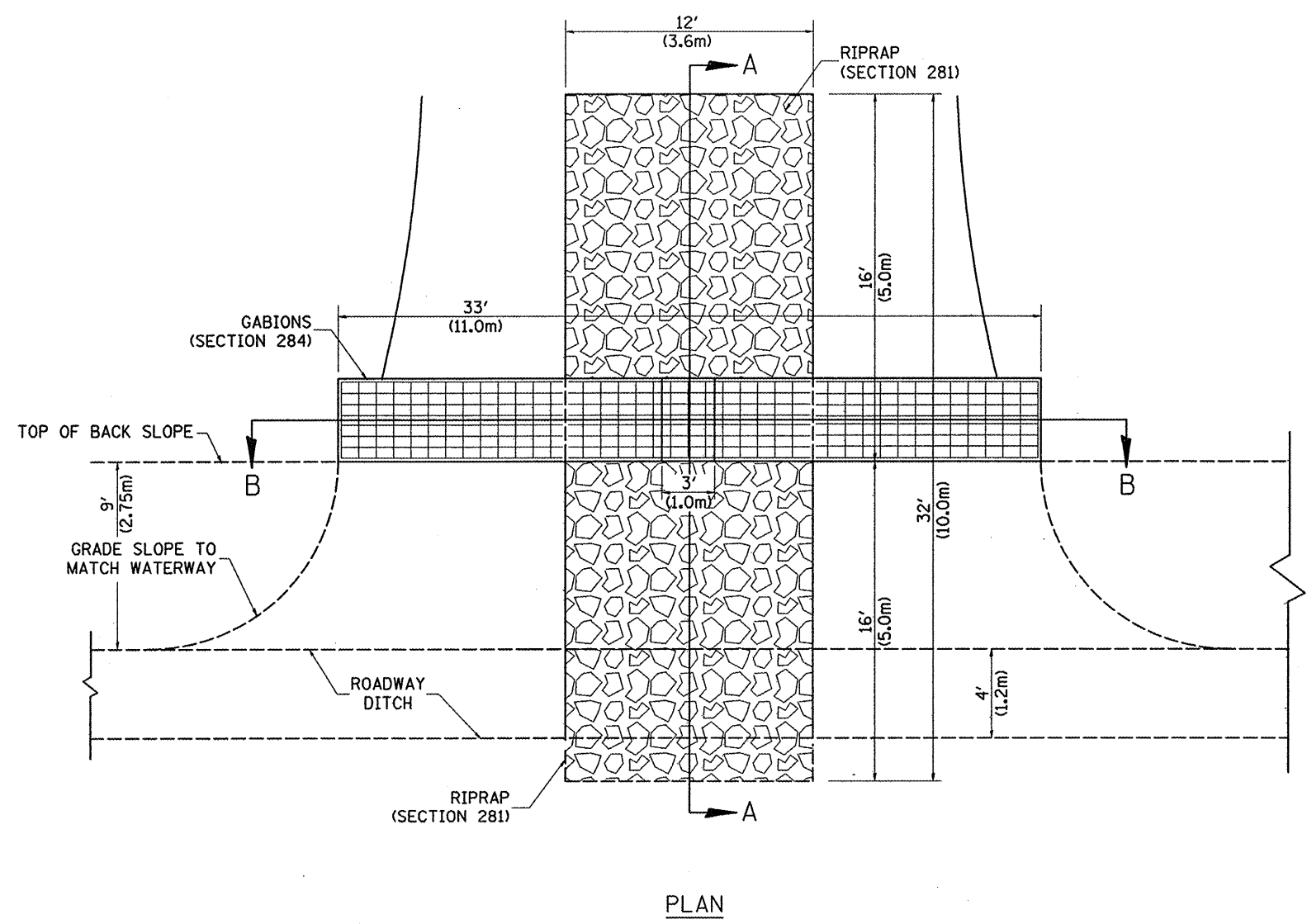


Designer NOTES:  
 1. Designer to modify this Special Detail sheet, as needed, for inclusion in plans.  
 2. This treatment is recommended for large waterways;  $\geq 30'$  (9.0 m) in width.  
 3. Include District CADD Detail for RIPRAP Ditch for Erosion Protection.  
 4. Designer to add Drainage Structure Details as needed. The CULVERT flowline should be located such that CULVERT siltation is minimized.



**GENERAL NOTES**

1. GABIONS SHALL CONFORM TO SECTION 284. MANUFACTURERS NOMINAL SIZES SHALL BE USED.
2. RIPRAP SHALL CONFORM TO SECTION 281.
3. EROSION CONTROL BLANKET SHALL CONFORM TO SECTION 281.
4. FILTER FABRIC USED WITH RIPRAP SHALL CONFORM TO SECTION 282 AND ARTICLE 1080.03.

All dimensions are in Inches (millimeters) unless otherwise noted.

DATE	REVISIONS	BY
1-1-97	RENUM. A-12.09, NEW REVISION BOX	T.P.
10-16-06	REVISED TO 2007 SPEC.	M.A.

**WATERWAY EROSION CONTROL DOWNSTREAM  
TREATMENT GABION WEIR**

FILE NAME = ...District Standards 288.dgn	USER NAME = Plotted by new6	DESIGNED - DRAWN -	REVISED - REVISED -	STATE OF ILLINOIS DEPARTMENT OF TRANSPORTATION	DISTRICT STANDARDS US 150 OVER LITTLE FARM CREEK	F.A.U. RTE. 6757	SECTION (105B) BR-2, (105B) BR-3	COUNTY TAZEWELL	TOTAL SHEETS 101	SHEET NO. 133	
PLOT SCALE = 100,0000 ' / IN.	CHECKED -	REVISED -	SCALE: N.T.S.			SHEET NO. OF SHEETS	STA.	TO STA.	FED. ROAD DIST. NO.	ILLINOIS FED. AID PROJECT	CONTRACT NO. 68086
PLOT DATE = 7/29/2008	DATE -	REVISED -									