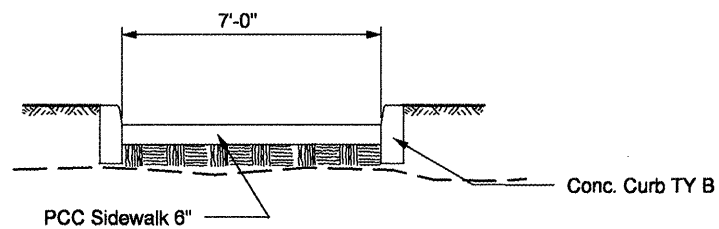
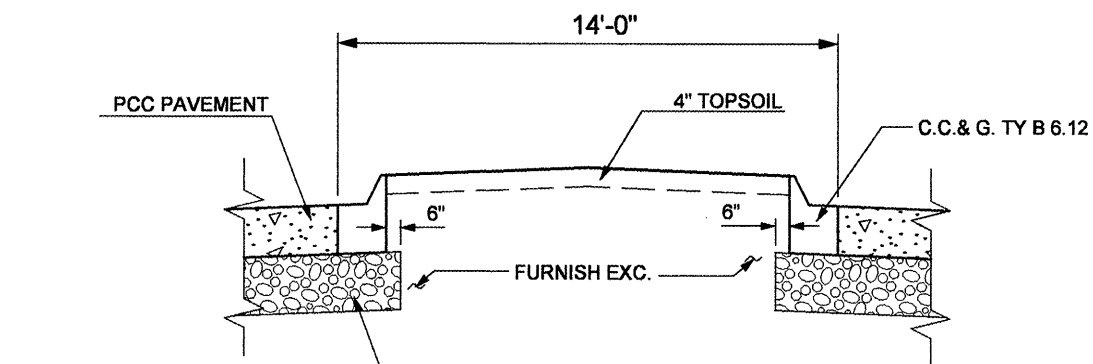


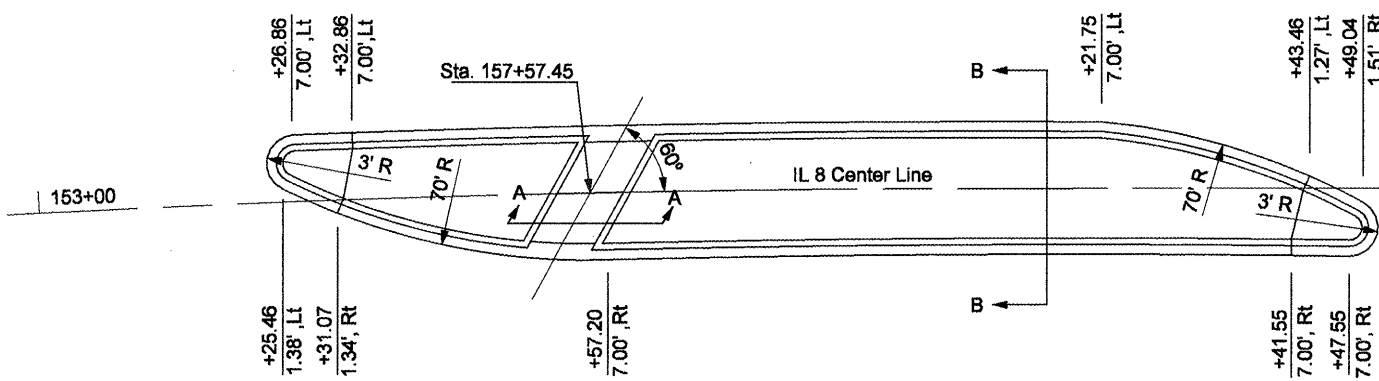
MEDIAN FROM STA. 143+50.31 TO 145+45.21



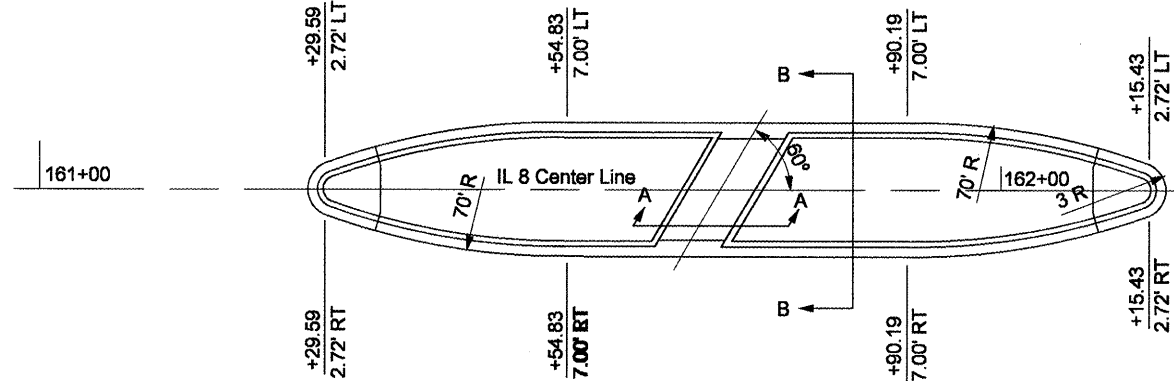
SECCION A-A
NOT TO SCALE



SECCION B-B
NOT TO SCALE



MEDIAN FROM STA. 153+24.00 TO 154+50.60
Sta. Eq. = 153+97.73 BK = 154+08.86 AH



MEDIAN FROM STA. 161+27.69 TO 162+17.17

FILE NAME = Copy of pvmtmk.dgn	USER NAME = crespole	DESIGNED -	REVISED -	STATE OF ILLINOIS DEPARTMENT OF TRANSPORTATION	PEDESTRIAN CROSSWALK DETAILS		F.A.P. RTE.	SECTION	COUNTY	TOTAL SHEETS	SHEET NO.	
	PLOT SCALE = 28.0000' / IN.	DRAWN -	REVISED -		SCALE:	SHEET NO. OF SHEETS	STA. TO STA.	399	36 R - 8	TAZEWELL	429	165
	PLOT DATE = 12/24/2008	CHECKED -	REVISED -					CONTRACT NO. 68258				
	DATE -	REVISED -			FED. ROAD DIST. NO. 4 ILLINOIS FED. AID PROJECT							