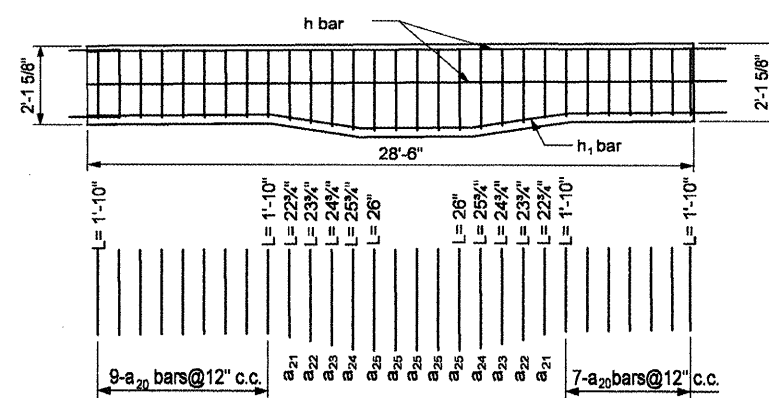


PANEL ①

BILL OF MATERIALS
PANEL ①

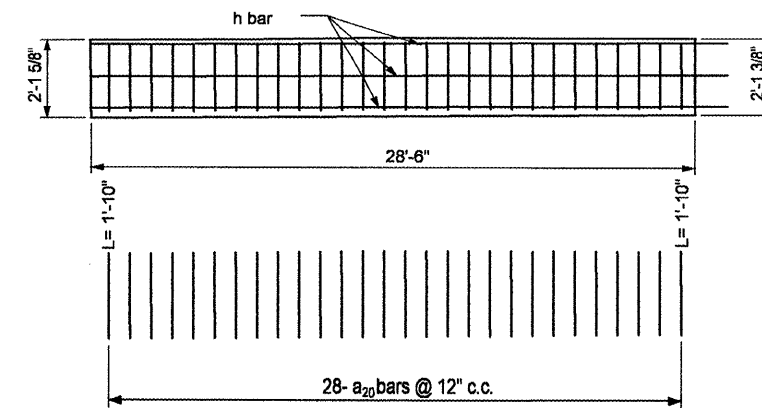
Bar	No.	Size	Length	Shape
a ₁ to a ₁₉	19	#4	Variable	
a ₂₀	10	#4	4'-11 1/2"	
h	7	#3	30'-0"	
Reinforcement Bars			Pound	171.0
PCC Sidewalk 6", Special			Sq Ft	219.55



PANEL ②

BILL OF MATERIALS
PANEL ②

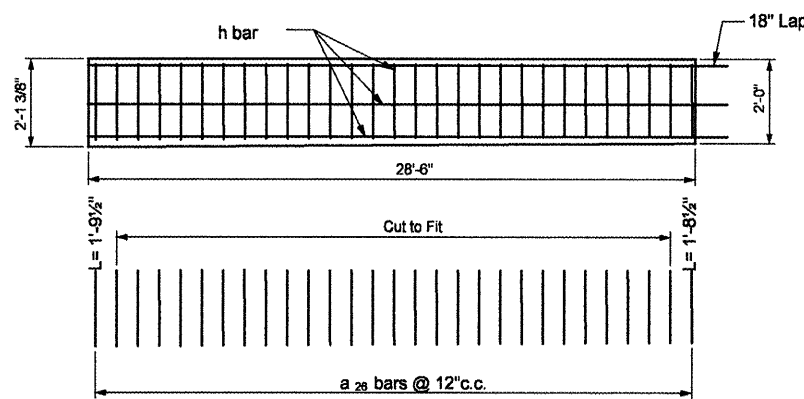
Bar	No.	Size	Length	Shape
a ₂₁ to a ₂₅	13	#4	Variable	
a ₂₀	16	#4	4'-11 1/2"	
h	2	#3	30'-0"	
h ₁	5	#3	30'-0"	
Reinforcement Bars			Pound	177.5
PCC Sidewalk 6", Special			Sq Ft	218.60



PANEL ③

BILL OF MATERIALS
PANEL ③

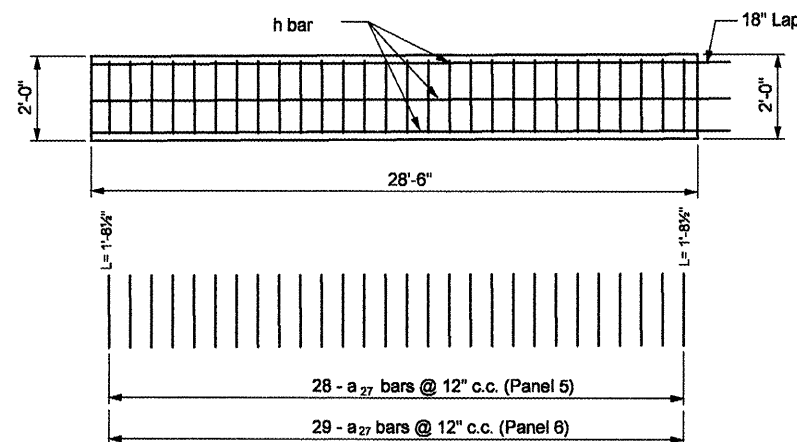
Bar	No.	Size	Length	Shape
a ₂₀	28	#4	4'-11 1/2"	
h	7	#3	30'-0"	
Reinforcement Bars			Pound	171.7
PCC Sidewalk 6", Special			Sq Ft	218.60



PANEL ④

BILL OF MATERIALS
PANEL ④

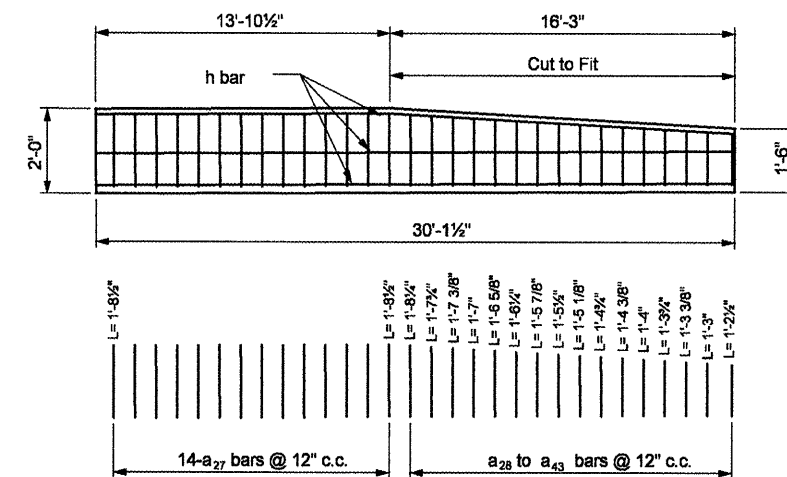
Bar	No.	Size	Length	Shape
a ₂₆	29	#4	4'-11"	
h	7	#3	30'-0"	
Reinforcement Bars			Pound	174.21
PCC Sidewalk 6", Special			Sq Ft	218.60



PANEL ⑤ & PANEL ⑥

BILL OF MATERIALS
PANEL ⑤ & ⑥

Bar	No.	Size	Length	Shape
a ₂₇	57	#4	4'-10"	
h	14	#3	30'-0"	
Reinforcement Bars			Pound	183.91
PCC Sidewalk 6", Special			Sq Ft	437.20



PANEL ⑦

BILL OF MATERIALS
PANEL ⑦

Bar	No.	Size	Length	Shape
a ₂₇	14	#4	4'-10"	
a ₂₈ to a ₄₃	16	#4	Variable	
h	7	#3	30'-0"	
Reinforcement Bars			Pound	94.0
PCC Sidewalk 6", Special			Sq Ft	231.06

FILE NAME = Walls Details.dgn	USER NAME = swisher-dh	DESIGNED -	REVISED -
		DRAWN -	REVISED -
	PLOT SCALE = 9.0411' / IN.	CHECKED -	REVISED -
	PLOT DATE = 12/11/2008	DATE -	REVISED -

STATE OF ILLINOIS
DEPARTMENT OF TRANSPORTATION

PCC SIDEWALK 6", SPECIAL - (A)

SCALE: SHEET NO. OF SHEETS STA. TO STA.

F.A.P. RTE. 399	SECTION 36 R-8	COUNTY TAZEWELL	TOTAL SHEETS 429	SHEET NO. 169
FED. ROAD DIST. NO. 4 ILLINOIS FED. AID PROJECT			CONTRACT NO. 68258	