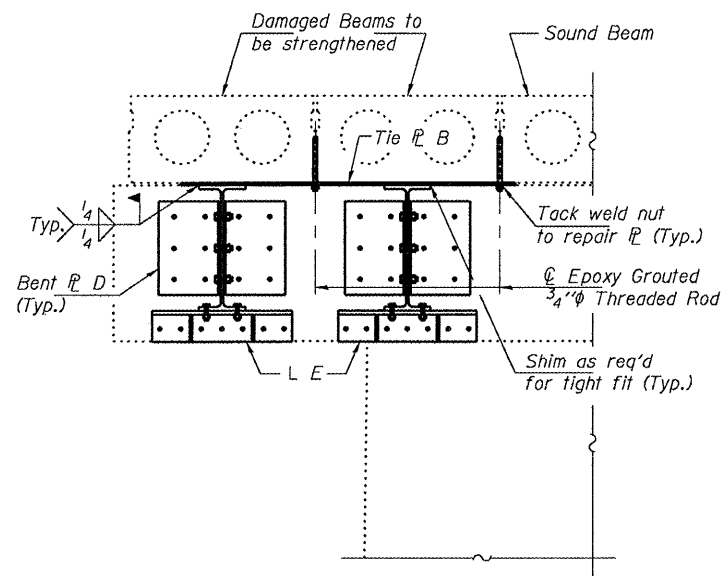
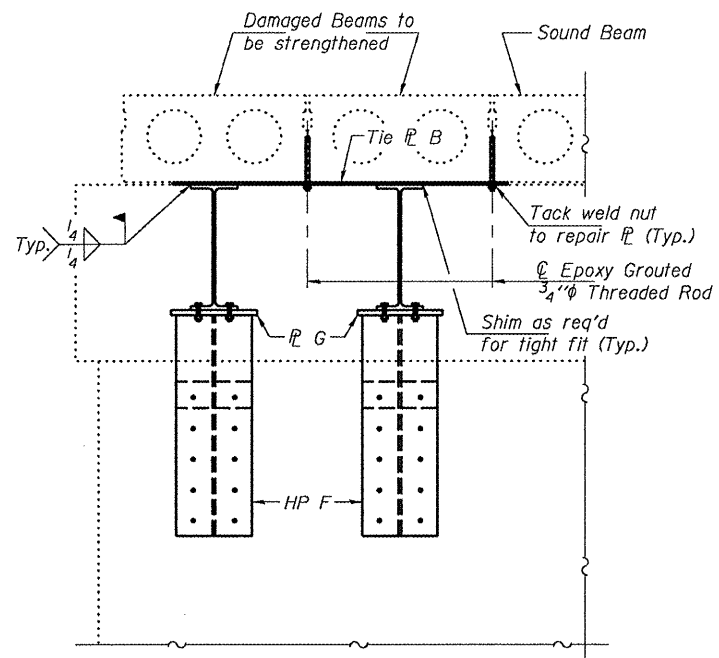


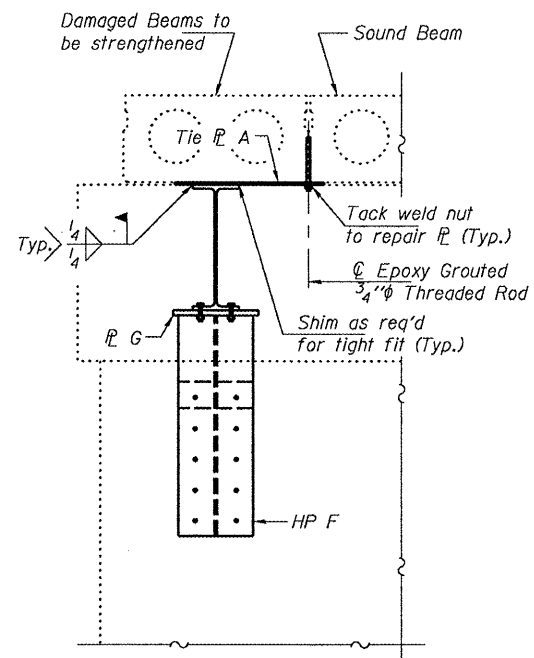
STATE OF ILLINOIS
DEPARTMENT OF TRANSPORTATION



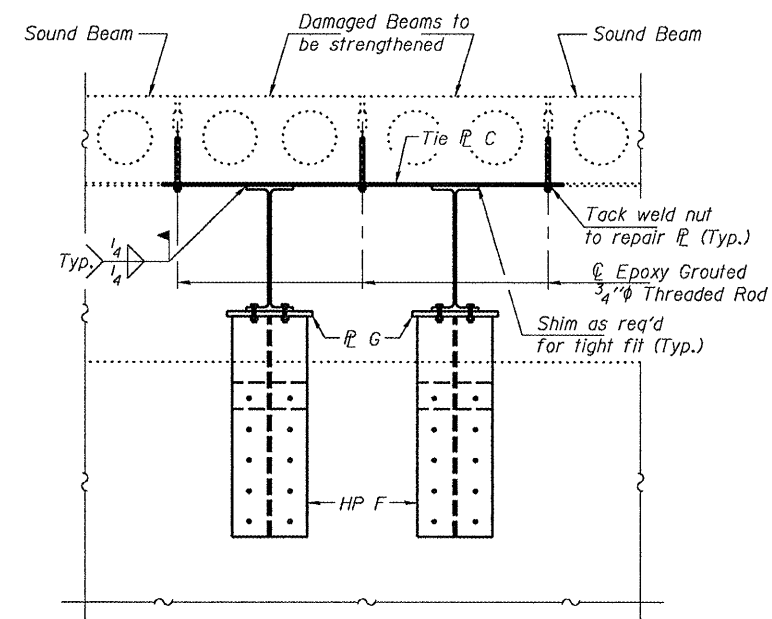
SECTION A-A



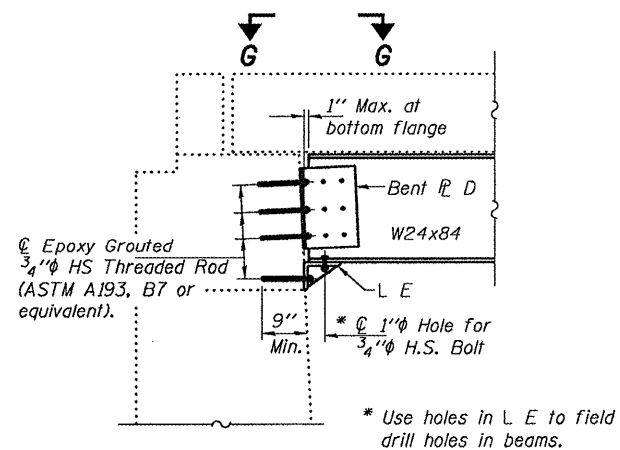
SECTION B-B



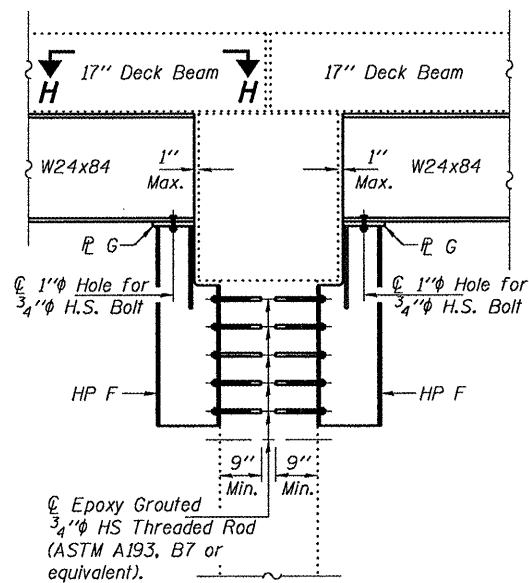
SECTION C-C



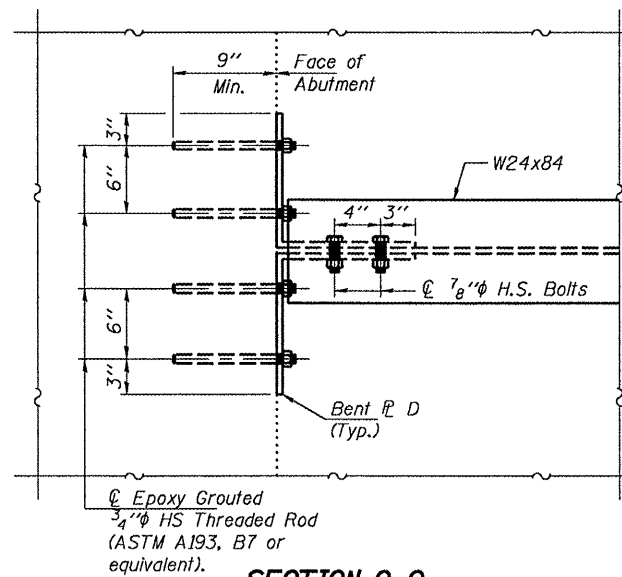
SECTION D-D



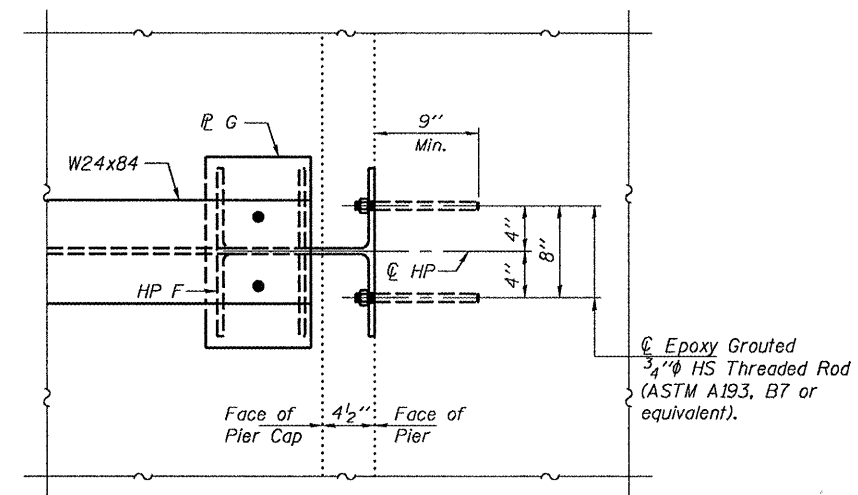
SECTION E-E



SECTION F-F



SECTION G-G



SECTION H-H

REPAIR DETAILS
IL ROUTE 78 OVER
KICKAPOO CREEK
SN 048-0018

DESIGNED	ATH
CHECKED	VHV
DRAWN	Kyle M. Steffen
CHECKED	ATH VHV

JANUARY 8, 2009	
EXAMINED	<i>Carl Perry</i> ENGINEER OF STRUCTURAL SERVICES
PASSED	<i>Ralph E. Anderson</i> ENGINEER OF BRIDGES AND STRUCTURES

SHEET NO. 2 3 SHEETS	F.A.P. RTE.	SECTION	COUNTY	TOTAL SHEETS	SHEET NO.
	22	(48B-1)I-1	KNOX	8	7
FED. ROAD DIST. NO.			ILLINOIS FED. AID PROJECT		
CONTRACT NO. 68852					