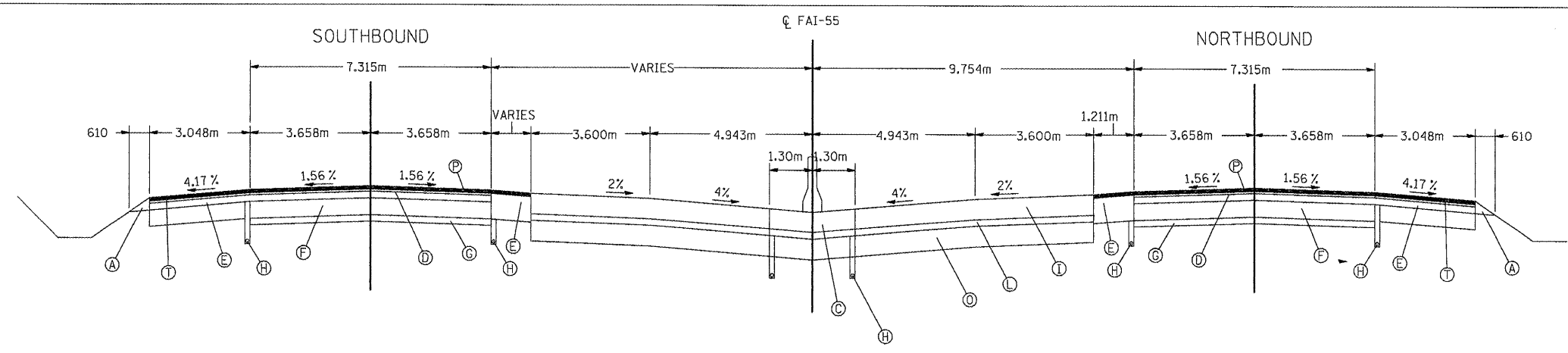
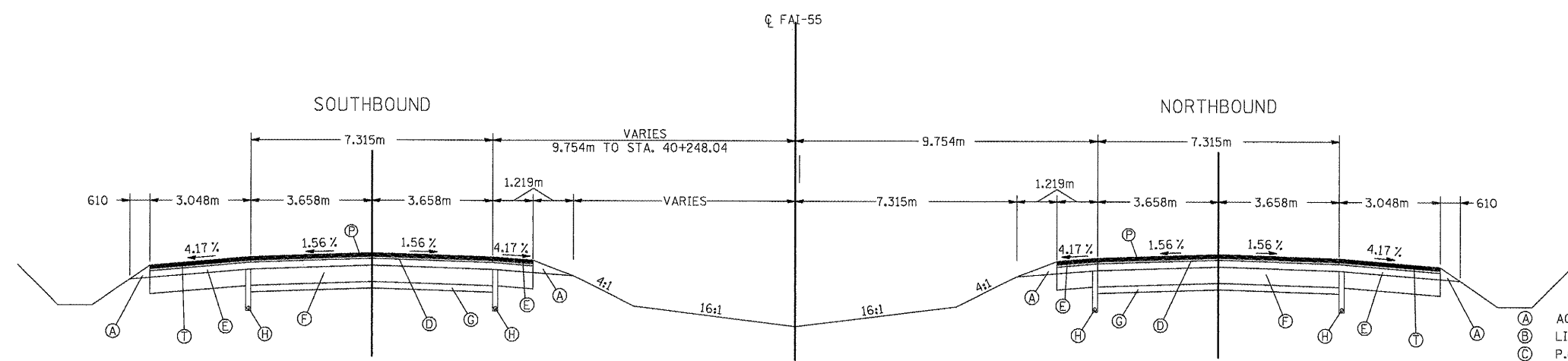


F.A. RTE.	SECTION	COUNTY	TOTAL SHEETS	SHEET NO.
55	*	McCLEAN	70	13
STA.		TO STA.		
FED. ROAD DIST. NO.		ILLINOIS FED. AID PROJECT		
* I(57-4)HBR-5&VBR-1J&57-2HB-1				
CONTRACT NO. 70661				

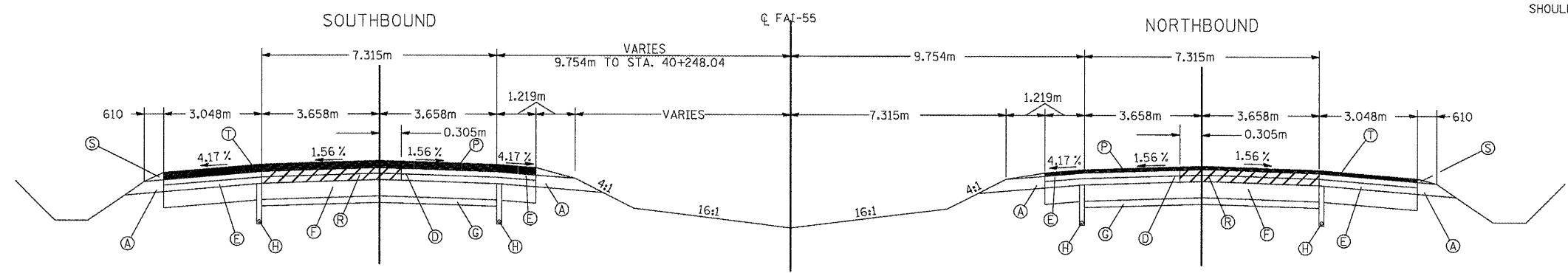


TYPICAL SECTION
STA. 40+270.000 TO STA. 40+486.00 N.B. & S.B.



TYPICAL SECTION
STA. 38+480.197 TO STA. 38+525.439 S.B.
STA. 38+480.197 TO STA. 38+526.652 N.B.
STA. 40+216.300 TO STA. 40+270.000 N.B. & S.B.
(BRIDGE OMISSION STA. 38+525.439 TO STA. 38+560.482 S.B.)
STA. 38+526.652 TO STA. 38+561.561 N.B.)

- (A) AGGREGATE SHOULDER, TYPE B
- (B) LIME MODIFIED SOIL, 305 mm
- (C) P.C.C. SHOULDERS, 305 mm
- (D) HOT MIX ASPHALT OVERLAY, 108 mm & VARIES
- (E) HOT MIX ASPHALT SHOULDERS
- (F) P.C.C. PAVEMENT, 254 mm
- (G) SUB GRANULAR MATERIAL, 153 mm
- (H) SUB-SURFACE DRAINAGE SYSTEM
- (I) P.C.C. PAVEMENT, 305 mm
- (J) P.C.C. SHOULDER, 273 mm
- (K) P.C.C. PAVEMENT, 273 mm
- (L) STABILIZED SUB-BASE, 102 mm
- (M) P.C.C. APPROACH SLAB, 305 mm
- (N) DOUBLE FACED CONCRETE BARRIER
- (O) POROUS GRANULAR EMBANKMENT, SUBGRADE 300 mm
- (P) POLYMERIZED HMA SURFACE, 38 mm
- (R) POLYMERIZED HMA BINDER COURSE, 110 mm
- (S) AGGREGATE SHOULDERS TYPE B
- (T) HMA SHOULDERS, 38 mm (OUTSIDE SHOULDERS ONLY)



TYPICAL SECTION
STA. 38+560.482 TO STA. 40+216.300 S.B.
STA. 38+561.561 TO STA. 40+216.300 N.B.

EXISTING TYPICAL SECTIONS
FAI 55 (I-55)
McCLEAN COUNTY