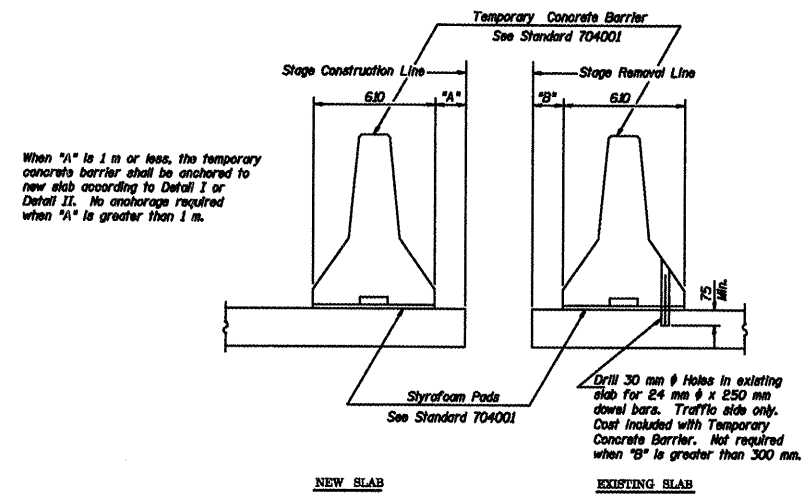


ROUTE NO.	SECTION	COUNTY	SHEET NO.	SHEET NO. 10
FAI 55	#	McLEAN	70	47
FED. HIGHWAY DIST. NO. 7		STATE	FED. HIGHWAY DIST. NO.	10A SHEETS

• (157-1)HBR-5&VBR-11&57-2HB-1

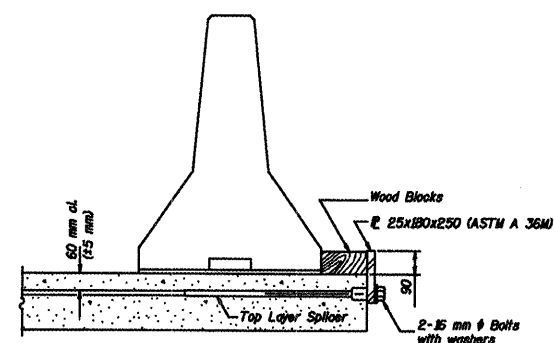


When "A" is 1 m or less, the temporary concrete barrier shall be anchored to new slab according to Detail I or Detail II. No anchorage required when "A" is greater than 1 m.

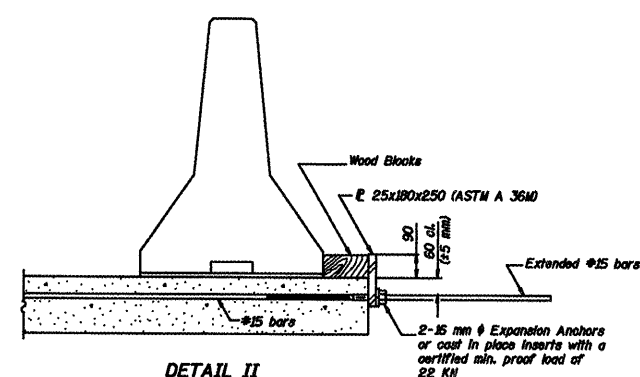
NOTES

- Detail I - With Bar Splice or Couplers
Connect one (1) 25x180x250 steel \bar{E} to the top layer of couplers with 2-16 mm ϕ bolts screwed to coupler at approximate \bar{E} of each 3 m barrier panel.
 - Detail II - With Extended Reinforcement Bars
Connect one (1) 25x180x250 steel \bar{E} to the concrete slab with 2-16 mm ϕ Expansion Anchors or cast in place inserts spaced between the top layer of reinforcement at approximate \bar{E} of each 3 m barrier panel.
- Cost of anchorage included with Temporary Concrete Barrier.
All dimensions are in millimeters (mm) except as noted.

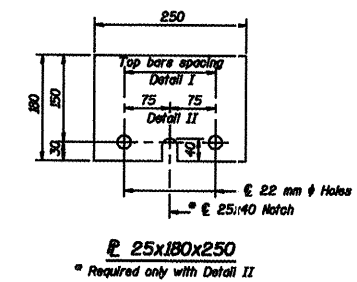
SECTION THRU SLAB



DETAIL I
The 25x180x250 Plate shall not be removed until Stage II Construction forms and reinforcement bars are in place.



DETAIL II
The 25x180x250 Plate shall not be removed until Stage II Construction forms and all reinforcement bars are in place and the concrete is ready to be placed.



DESIGNED	GAE
CHECKED	JDA
DRAWN	NQ
CHECKED	GAE

TEMPORARY CONCRETE BARRIER
F.A.I. 55 OVER BUSINESS U.S. 51
McLEAN COUNTY
SN 057-0024 (NB)
SN 057-0025 (SB)
STA. 37+474.206