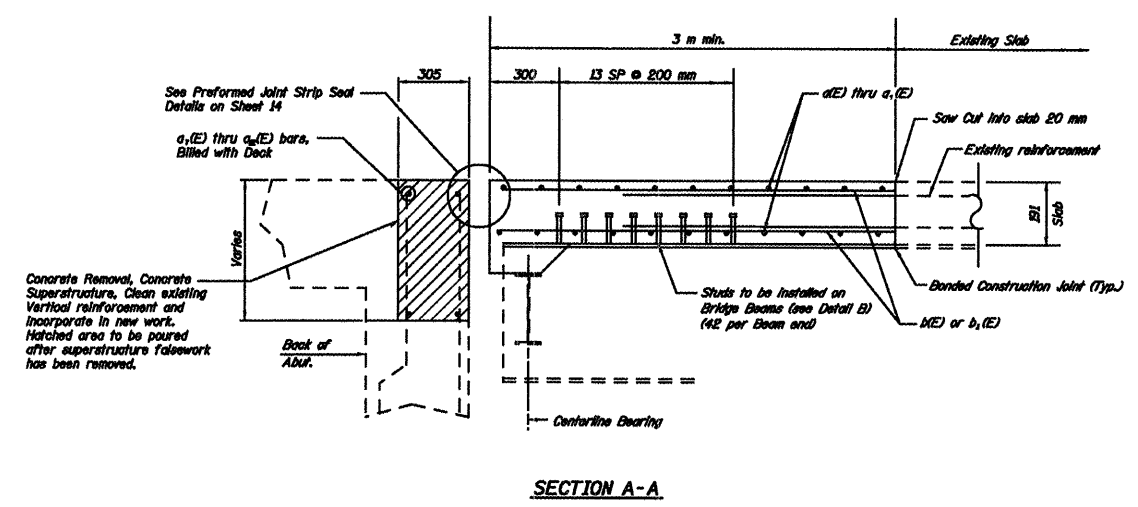
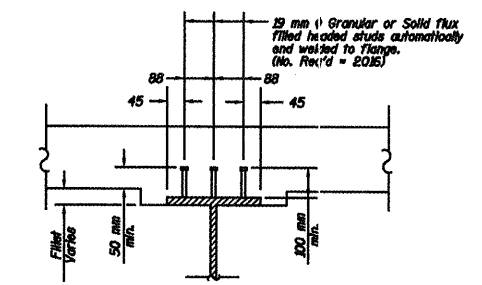


ROUTE NO.	DISTRICT	COUNTY	SECTION	POST MILE	SHEET NO. 6
FAJ 55	•	McLEAN	70	57	14 SHEETS
FED. ROAD DIST. NO. 7		BLANK	FED. RD PROJECT		

• (157-4)HBR-5&VBR-11&57-2HB-1



SECTION A-A



DETAIL B

All dimensions are in millimeters (mm) except as noted.

DESIGNED	GAE
CHECKED	JDA
DRAWN	NQ
CHECKED	GAE

EXPANSION JOINT REPLACEMENT DETAILS  
 F.A.I. 55 OVER CONSTITUTION TRAIL  
 McLEAN COUNTY  
 SN 057-0026 (NB)  
 SN 057-0027 (SB)  
 STA. 38+263.167