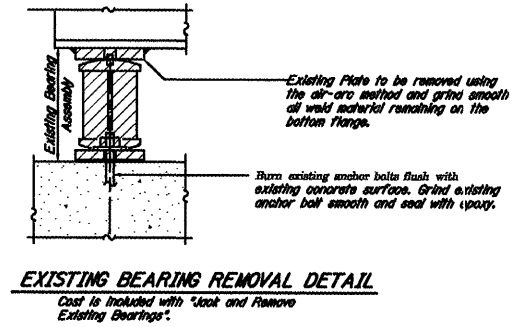
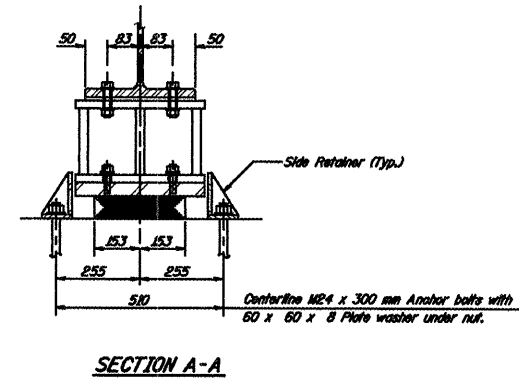
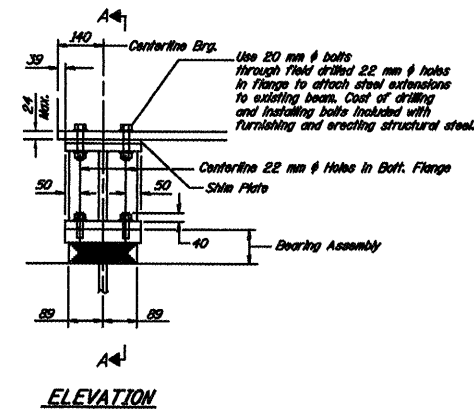
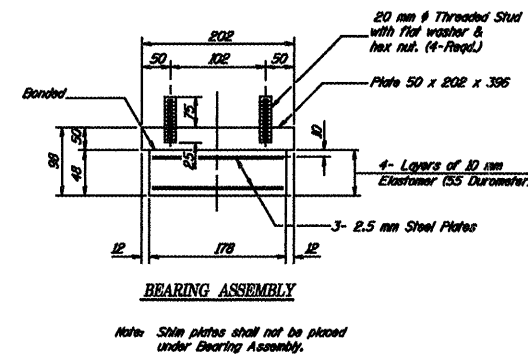


PROJECT NO.	DISTRICT	COUNTY	DATE	SHEET NO.
FAJ 55	*	McLEAN	70	58
SHEET NO. 7				
14 SHEETS				

* (157-4)HBR-5&VBR-11&57-2HB-1



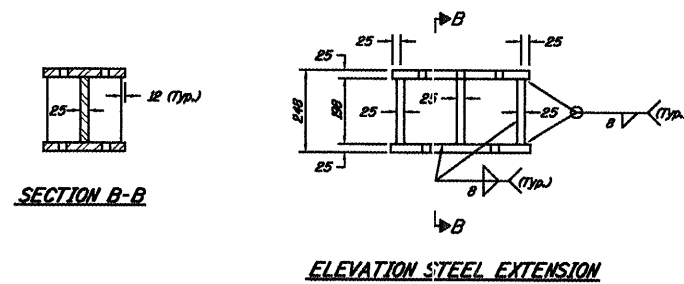
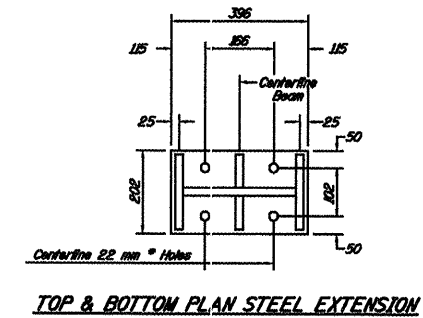
TYPE I ELASTOMERIC EXP. BRG.
(East Abut. B & D)



BEAM REACTIONS
(All Abutments)

R ₁	000	76
R ₂	000	172
Imp.	000	50
R (Total)	000	298

Min. Jack Capacity = 281 kN



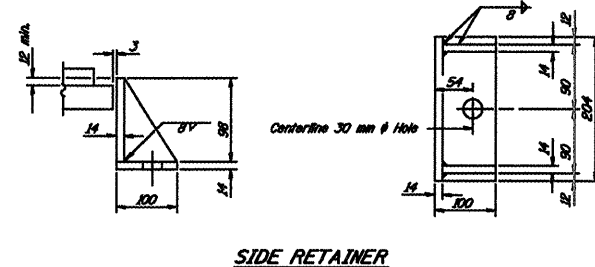
STEEL EXTENSION DETAILS
24 Required of Abutments B & D

Note: Contractor shall field measure existing bearings and provide 202 x 266 shims as necessary.

BILL OF MATERIAL

Item	Unit	Quantity
Elastomeric Bearing Assembly, Type I	Each	24
Furnishing and Erecting Structural Steel	kg	1800
Jack and Remove Existing Bearing	Each	24
Anchor Bolts, M24	Each	96

Notes:
Diaphragm removal and reinstallation may be required to facilitate drilling holes. Cost included with Furnishing and Erecting Structural Steel.
New steel extensions, shim plates and connection bolts are included with Furnishing and Erecting Structural Steel.
Prior to ordering any material, the Contractor shall verify in the field all bearing height and shim thickness dimensions.
Anchor bolts shall be ASTM F1554 all-thread (or an Engineer-approved alternate material) of the grade(s) and diameter(s) specified. ASTM A307 Grade C anchor bolts may be used in lieu of ASTM F1554 Grade 250. The corresponding specified grade of AASHTO M314 anchor bolts may be used in lieu of ASTM F1554.
Anchor bolts of fixed bearings may be either cast in place or installed in holes drilled after the supported member is in place.
Drilled and set anchor bolts shall be installed according to Article 521.06 of the Standard Specifications.
Side retainers shall be included in the cost of Elastomeric Bearing Assembly, Type I.
All dimensions are in millimeters (mm) except as noted.



Equivalent rolled angle with stiffeners will be allowed in lieu of welded plates. Weight included with Structural Steel. (No. Req'd 48 @ Abutments B & D)

DESIGNED	GAE
CHECKED	JDA
DRAWN	NQ
CHECKED	GAE

BEARING DETAILS ABUTS. B & D
F.A.I. 55 OVER CONSTITUTION TRAIL
McLEAN COUNTY
SN 057-0026 (NB)
SN 057-0027 (SB)
STA. 38+263.167