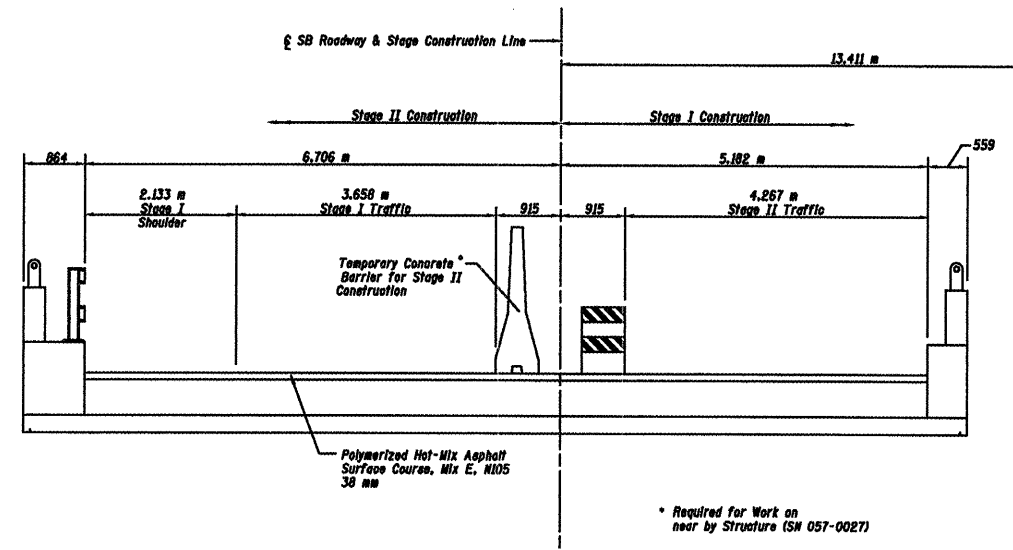
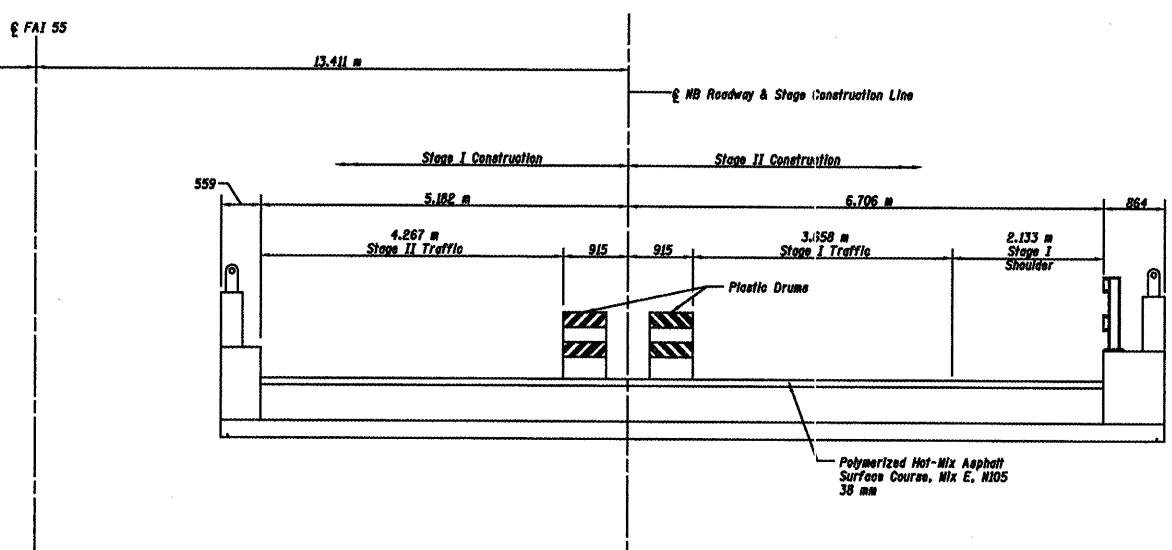


ROUTE NO.	SECTION	COUNTY	DATE	DATE	SHEET NO. 2
FAI 55	#	McLEAN	70	67	5 SHEETS
FED. HIGH. DIST. NO. 7		BALANCE		FED. HIGH. PROJECT	

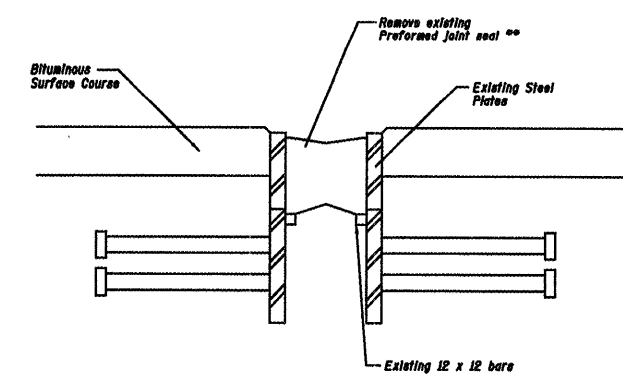
• (157-1)HBR-5&VBR-11&57-2HB-1



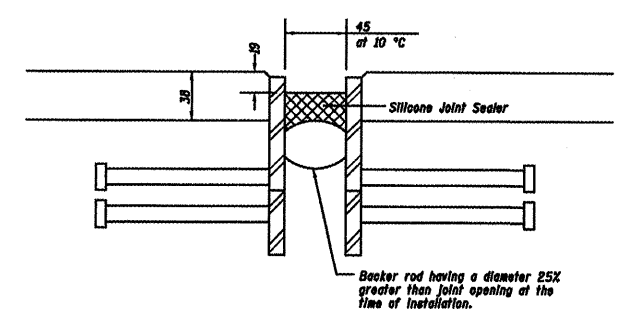
SOUTHBOUND
S.N. 057-0029 (SB)



NORTHBOUND
S.N. 057-0028 (NB)



EXISTING
PREFORMED JOINT SEAL



PROPOSED
SILICONE JOINT SEALER DETAIL

DESIGNED	JDA
CHECKED	JKC
DRAWN	NQ
CHECKED	JDA

**STAGE CONSTRUCTION CROSS SECTIONS AND
EXPANSION JOINT REPLACEMENT DETAILS
F.A.I. 55 OVER LINDEN STREET
McLEAN COUNTY
SN 057-0028 (NB)
SN 057-0029 (SB)
STA. 38+543.992**