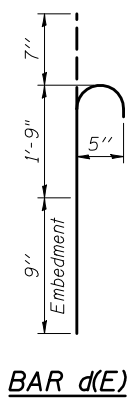
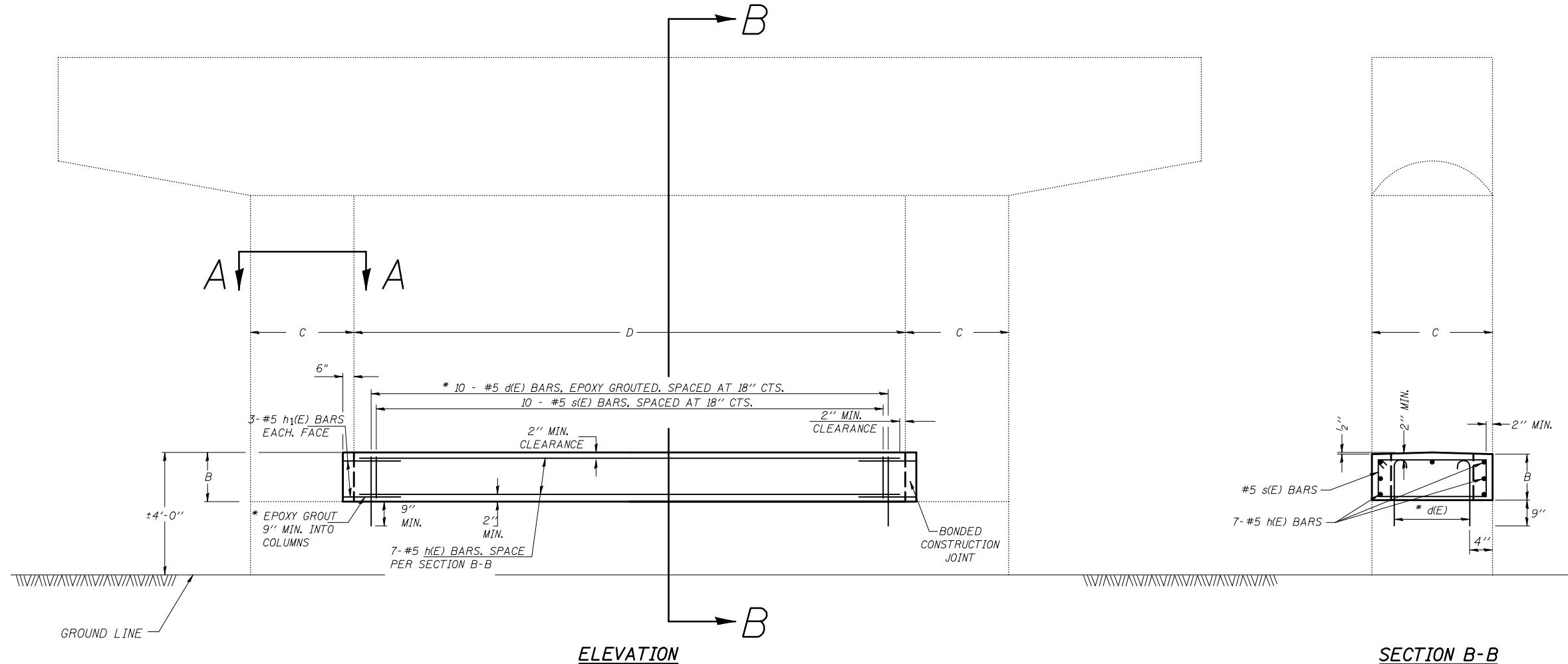
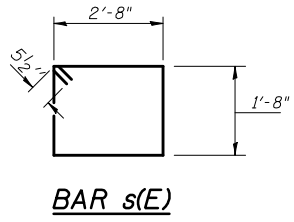


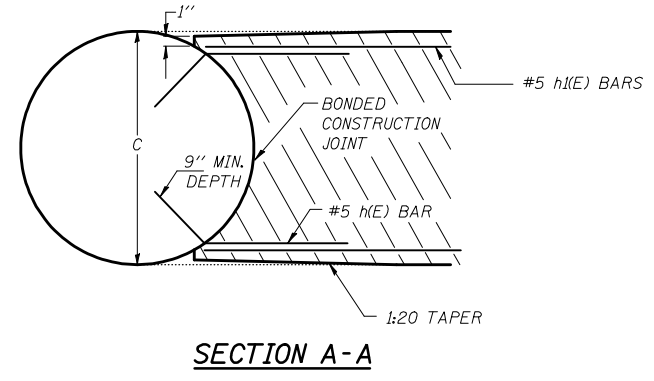
**S.N. 057-0105**



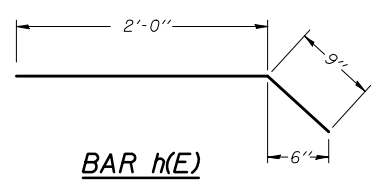
**BAR d(E)**



**BAR s(E)**



**SECTION A-A**



**BAR h(E)**

**BAR TABLE**

BAR	QTY.	SIZE	LENGTH	SHAPE
d(E)	60	#5	3'-1"	
s(E)	30	#5	9'-5"	
h(E)	21	#5	14'-5"	
h1(E)	36	#5	2'-9"	

**DIMENSION TABLE**

LOCATION	B	C	D
EB PIER	2'-0"	3'-0"	14'-9"
CENTER PIER	2'-0"	3'-0"	14'-9"
WB PIER	2'-0"	3'-0"	14'-10"

**BILL OF MATERIALS**

ITEM	UNIT	QUANTITY
CONCRETE STRUCTURES	CU. YD.	9.90
REINFORCEMENT BARS, EPOXY COATED	LB.	910.0

**GENERAL NOTES**

PLAN DIMENSIONS AND DETAILS RELATIVE TO EXISTING PLANS ARE SUBJECT TO NOMINAL CONSTRUCTION VARIATIONS. THE CONTRACTOR SHALL FIELD VERIFY EXISTING DIMENSIONS AND DETAILS AFFECTING NEW CONSTRUCTION AND MAKE NECESSARY APPROVED ADJUSTMENTS PRIOR TO CONSTRUCTION OR ORDERING OF MATERIALS. SUCH VARIATIONS SHALL NOT BE CAUSE FOR ADDITIONAL COMPENSATION FOR A CHANGE IN SCOPE OF THE WORK, HOWEVER, THE CONTRACTOR WILL BE PAID FOR THE QUANTITY ACTUALLY FURNISHED AT THE UNIT PRICE BID FOR THE WORK.

THE COST OF EPOXY GROUTING BARS SHALL BE INCLUDED WITH REINFORCEMENT BARS (EPOXY COATED).

REINFORCEMENT BARS SHALL CONFORM TO THE REQUIREMENTS OF ASTM A706 GR 60

REINFORCEMENT BARS DESIGNATED (E) SHALL BE EPOXY COATED.

\* EPOXY GROUT BARS IN 9" MIN. HOLES ACCORDING TO ARTICLE 584 OF THE STANDARD SPECIFICATIONS.