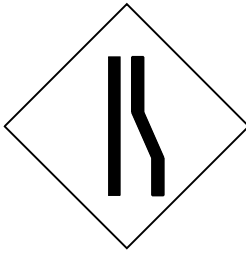
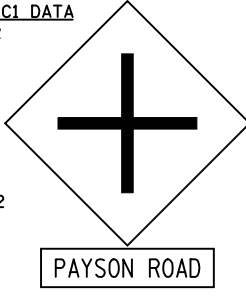
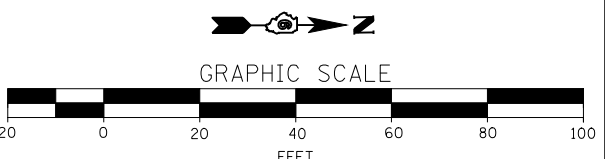
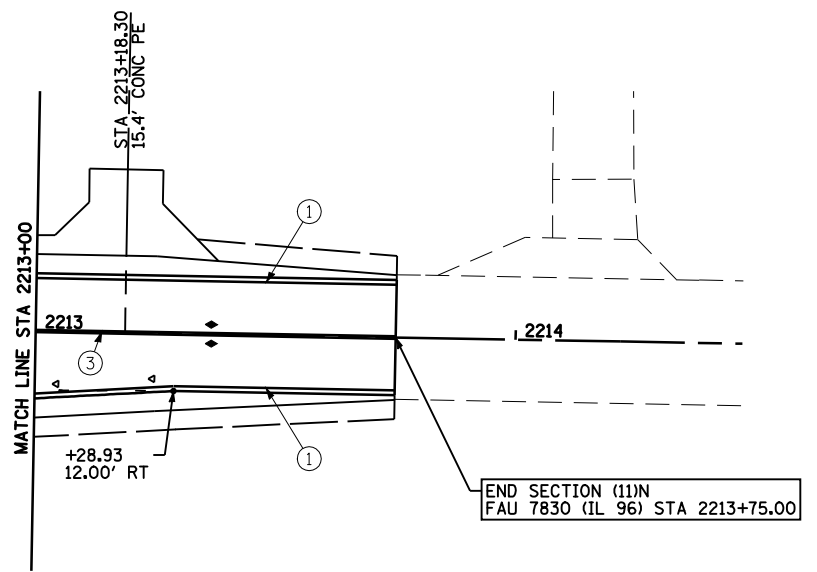


PR FAU 7830 CURVE C1 DATA
 PI STA = 2209+80.22
 $\Delta = 2^\circ 28' 54''$ (RT)
 $D = 0^\circ 34' 23''$
 $R = 10,000.00'$
 $T = 216.61'$
 $L = 433.15'$
 $E = 2.35'$
 $e = \text{NONE}$
 PC STA = 2207+63.62
 PT STA = 2211+96.76



- LEGEND:
- ▷ ONE-WAY CRYSTAL RAISED REFLECTIVE PAVEMENT MARKER
 - ◆ TWO-WAY AMBER RAISED REFLECTIVE PAVEMENT MARKER
 - ▶ ONE-WAY AMBER RAISED REFLECTIVE PAVEMENT MARKER
 - ① URETHANE PAVEMENT MARKING, 5" WHITE-SOLID
 - ② URETHANE PAVEMENT MARKING, 5" WHITE-SKIP DASH
 - ③ URETHANE PAVEMENT MARKING, 5" YELLOW-DUAL SOLID
 - ④ URETHANE PAVEMENT MARKING, 6" WHITE-SOLID
 - ⑤ URETHANE PAVEMENT MARKING, 6" WHITE-SKIP DASH
 - ⑥ PREFORMED PLASTIC, TYPE B-INLAID, 8" WHITE-SOLID
 - ⑦ PREFORMED PLASTIC, TYPE B-INLAID, 12" WHITE-SOLID
 - ⑧ PREFORMED PLASTIC, TYPE B-INLAID, 12" YELLOW-SOLID
 - ⑨ PREFORMED PLASTIC, TYPE B-INLAID, 24" WHITE-SOLID
 - ⑩ PREFORMED PLASTIC, TYPE B-INLAID, WHITE-LETTERS & SYMBOLS
 - ⑪ PREFORMED PLASTIC, TYPE B-INLAID, 6" WHITE-SOLID



FILE NAME =	USER NAME = laughlinr1	DESIGNED -	REVISED -	STATE OF ILLINOIS DEPARTMENT OF TRANSPORTATION	SIGNING AND PAVEMENT MARKING PLAN FAU 7830 (IL 96)			F.A. RTE.	SECTION	COUNTY	TOTAL SHEETS	SHEET NO.	
et:\pw\work\PWIDOT\LAUGHLINRL\0114681\08\BSTRIPING03.dgn		DRAWN -	REVISED -		SCALE: 1"=20'	SHEET NO. 3	OF 5 SHEETS	STA. 2207+50	TO STA. 2214+50	(11)N	ADAMS	117	58
		CHECKED -	REVISED -							FAS 1597 & FAU 7830			CONTRACT NO. 72817
		DATE -	REVISED -							FED. ROAD DIST. NO.	ILLINOIS FED. AID PROJECT		