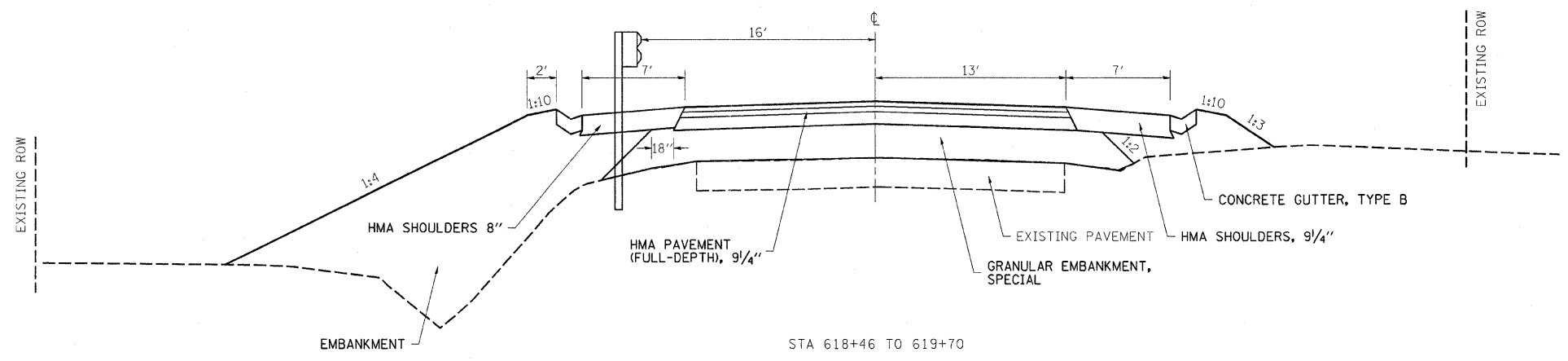
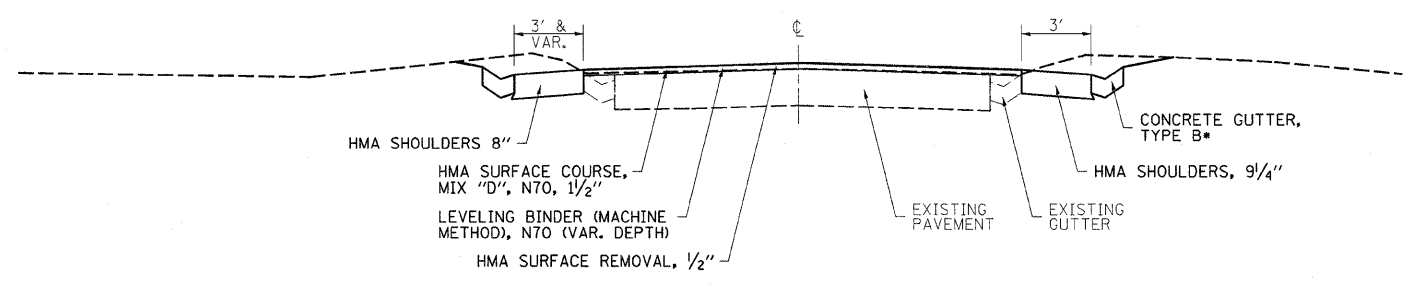


STA 614+89 TO 615+19  
STA 617+34 TO 617+64



STA 618+46 TO 619+70



STA 619+70 TO 622+48

\* GUTTER CONTINUES TO STA 622+77 ON LEFT

FILE NAME =	USER NAME = steffernk	DESIGNED -	REVISED -	<b>STATE OF ILLINOIS DEPARTMENT OF TRANSPORTATION</b>	<b>TYPICAL SECTIONS</b>				F.A.S. RTE.	SECTION	COUNTY	TOTAL SHEETS	SHEET NO.		
c:\pwork\p\WIDOT\STEFFERNK\dms52451\sttp-74145.dgn		DRAWN -	REVISED -		SCALE:	SHEET NO.	OF	SHEETS	STA.	TO STA.	1536	1258R	MACON	45	6
		CHECKED -	REVISED -												
		DATE -	REVISED -												
PLOT SCALE = 50,0000 ' / IN.															
PLOT DATE = 10/9/2008															
											CONTRACT NO. 74145				
											ILLINOIS FED. AID PROJECT				