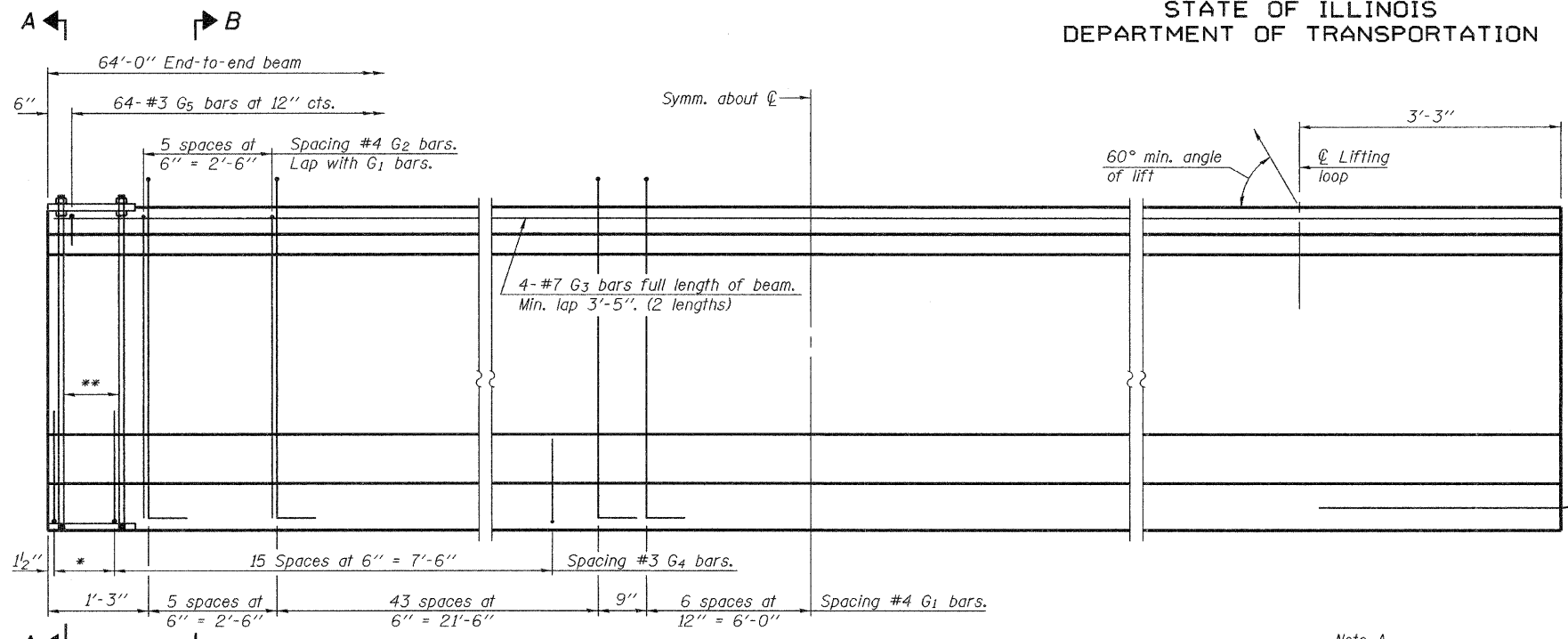


STATE OF ILLINOIS
DEPARTMENT OF TRANSPORTATION

ROUTE NO.	SECTION	COUNTY	TOTAL SHEETS	SHEET NO.	SHEET NO. 17 29 SHEETS
FAS 1536	I25BR	Macon	45	29	
FED. ROAD DIST. NO. 7		ILLINOIS	FED. AID PROJECT-		

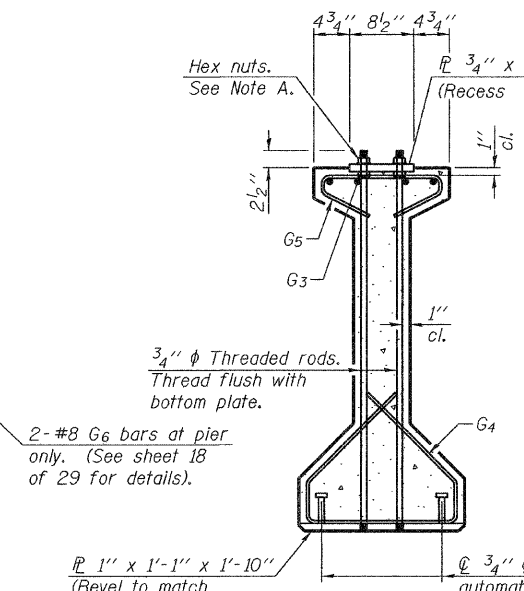
Contract #74145



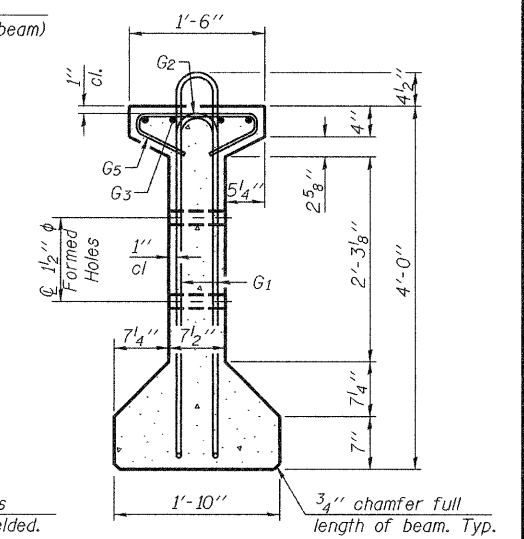
ELEVATION OF BEAM
(Showing reinforcement & dimensions)

* 3 spaces at 3" = 9".
** 4-3/4" φ threaded dowel rods at 3" cts., each face.

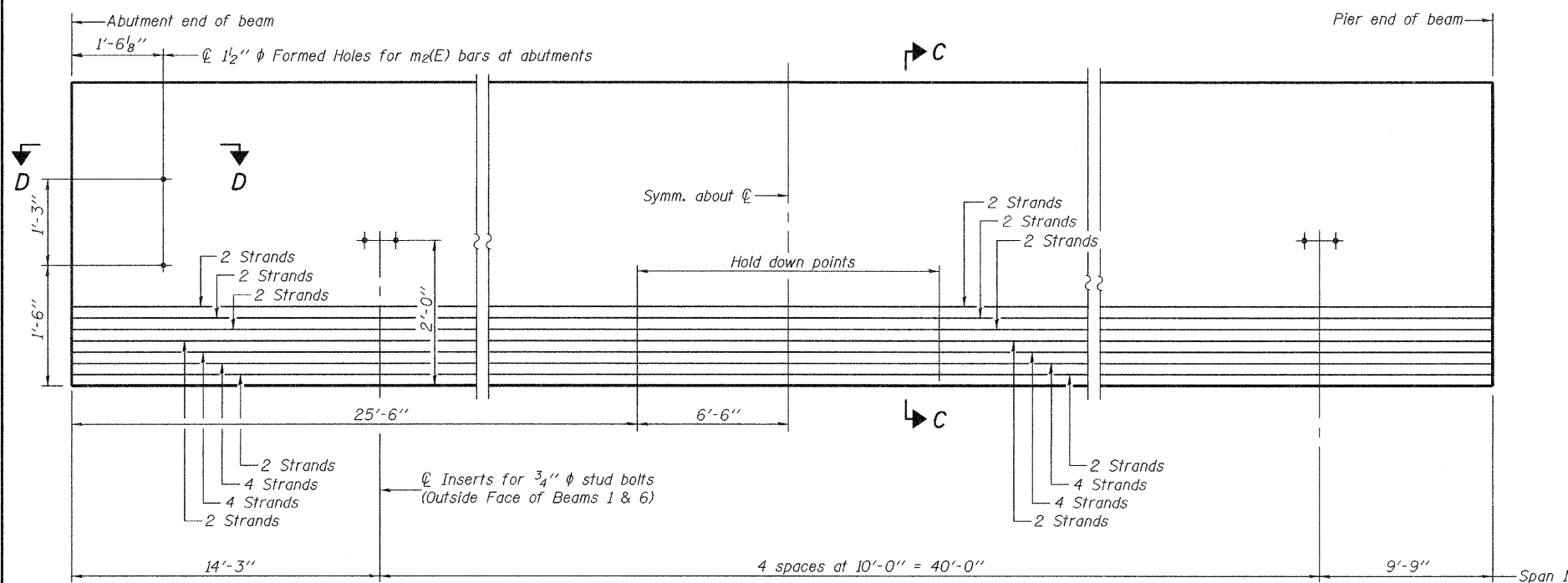
Note A:
Hex nuts (top and bottom) with lock washers (top). Only tighten sufficiently to compress lock washers.



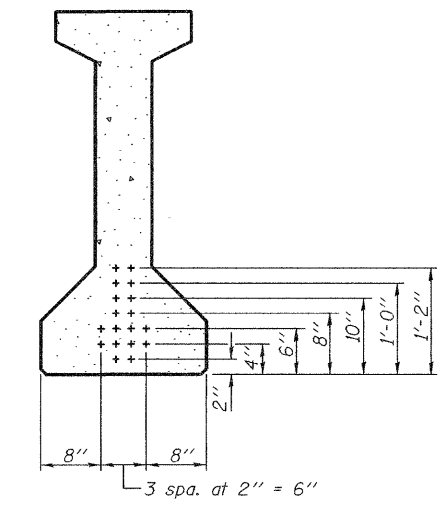
SECTION A-A



SECTION B-B



ELEVATION OF BEAM
(Showing prestressing steel)



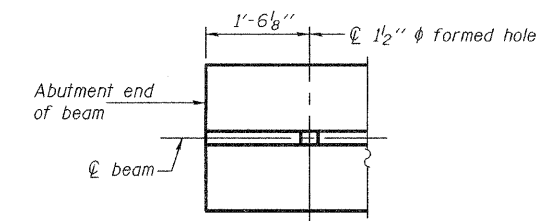
SECTION C-C

***** BAR LIST
ONE BEAM ONLY**

Bar	No.	Size	Length	Shape
G ₁	111	#4	9'-6"	⊔
G ₂	12	#4	7'-11"	⊔
G ₃	8	#7	33'-7"	—
G ₄	38	#3	5'-3"	⊔
G ₅	64	#3	2'-9"	⊔
G ₆	2	#8	3'-9"	⊔

*** For information only

Notes:
See sheet 18 of 29 for additional details and Bill of Material.
Required release strength, f'_{ci}, shall be 5,000 psi.



SECTION D-D

DESIGNED	Roy Ahanchi
CHECKED	Nick Barnett
DRAWN	BECKY M. LEACH
CHECKED	GRA & NRB

November 14, 2008
EXAMINED *Thomas J. Damagala*
PASSED *Ralph E. Carlson*
ENGINEER OF BRIDGE DESIGN
ENGINEER OF BRIDGES AND STRUCTURES

**48" PPC I-BEAM SPANS 1 & 3
F.A.S. ROUTE 1536 - SEC. 125BR
MACON COUNTY
STATION 616+26.50
STRUCTURE NO. 058-0132**