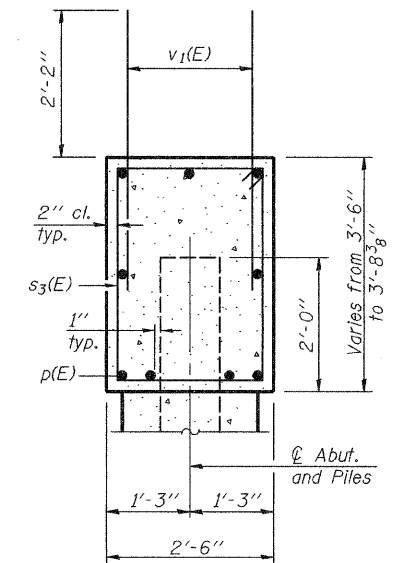
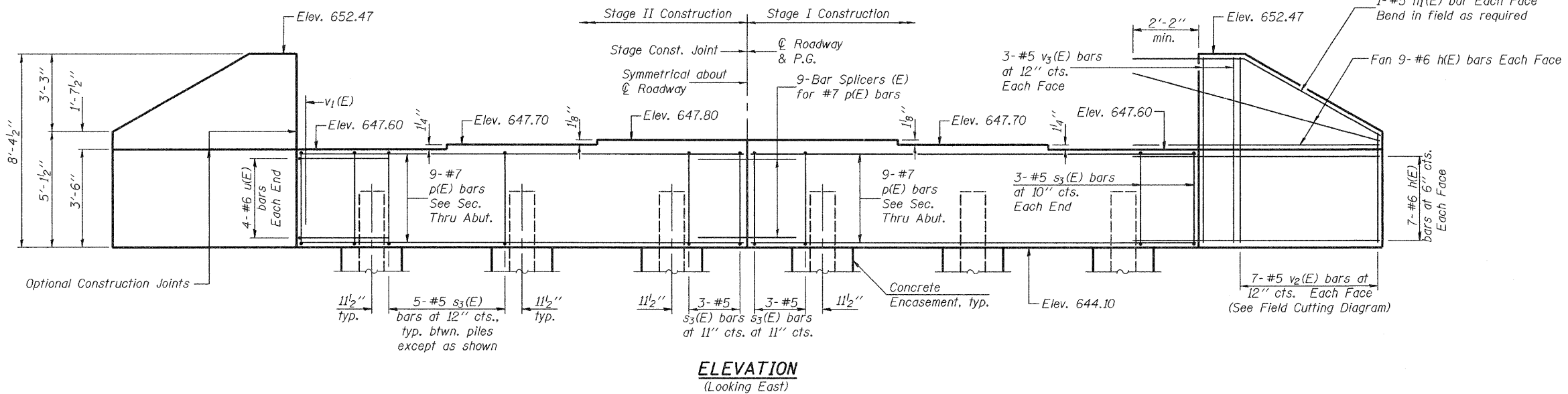


STATE OF ILLINOIS
DEPARTMENT OF TRANSPORTATION

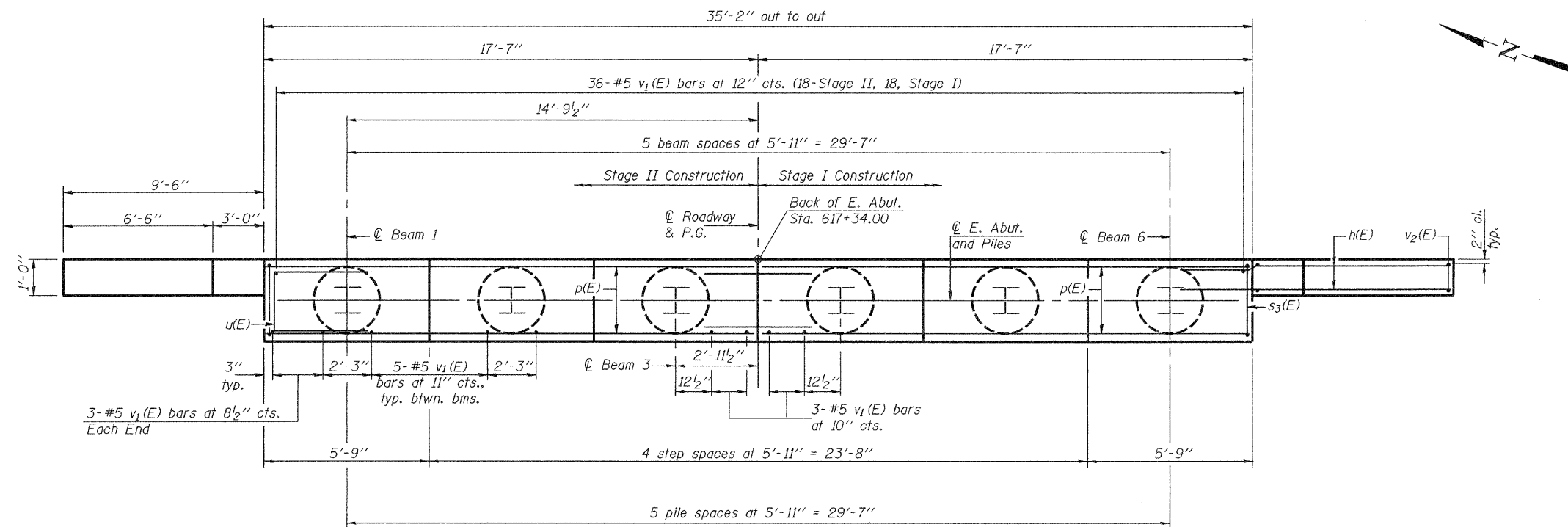
ROUTE NO.	SECTION	COUNTY	TOTAL SHEETS	SHEET NO.	SHEET NO. 22 29 SHEETS
FAS 1536	125BR	Macon	45	34	
FED. ROAD DIST. NO. 7		ILLINOIS	FED. AID PROJECT		

Contract #74145

Notes: Four steps monolithically with cap.



SEC. THRU ABUT.



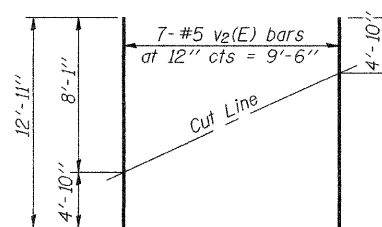
PLAN

PILE DATA

Type: HP12x53
Nominal Required Bearing: 334 kips
Factored Resistance Available: 167 kips
Est. Length: 78'
No. Production Piles: 5
No. Test Piles: 1

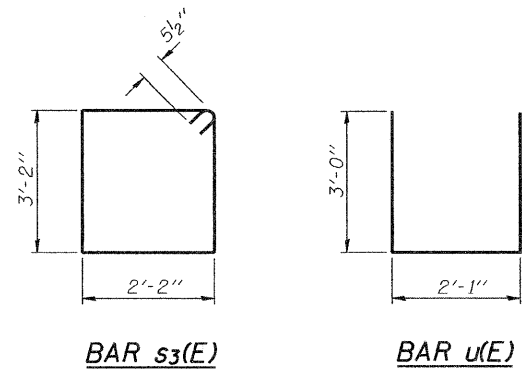
DESIGNED	Ray Ahanchi
CHECKED	Nick Barnett
DRAWN	BECKY M. LEACH
CHECKED	GRA & NRB

November 14, 2008
EXAMINED *Thomas J. Donagale*
PASSED *Ralph E. Anderson*
ENGINEER OF BRIDGE DESIGN
ENGINEER OF BRIDGES AND STRUCTURES



FIELD CUTTING DIAGRAM

Order v2(E) full length. Cut as shown and use remainder of bars in opposite face.



BILL OF MATERIAL

Bar	No.	Size	Length	Shape
h(E)	64	#6	11'-8"	—
h1(E)	4	#5	12'-5"	—
p(E)	18	#7	17'-4"	—
s3(E)	32	#5	11'-7"	□
u(E)	8	#6	8'-1"	—
v1(E)	68	#5	4'-4"	—
v2(E)	14	#5	12'-11"	—
v3(E)	12	#5	8'-1"	—
Structure Excavation		Cu. Yd.	80	
Concrete Structures		Cu. Yd.	16.8	
Reinforcement Bars, Epoxy Coated		Pound	2890	
Furnishing Steel Piles, HP12x53		Foot	390	
Driving Piles		Foot	390	
Test Pile, HP12x53		Each	1	
Concrete Encasement		Cu. Yd.	2.1	

For details of Bar Splicers, see sheet 27 of 29.
For details of piles and Concrete Encasement, see sheet 23 of 29.

EAST ABUTMENT
F.A.S. ROUTE 1536 - SEC. 125BR
MACON COUNTY
STATION 616+26.50
STRUCTURE NO. 058-0132