

STATE OF ILLINOIS
DEPARTMENT OF TRANSPORTATION

ROUTE NO.	SECTION	COUNTY	TOTAL SHEETS	SHEET NO.
FAS 1536	125BR	Macon	45	37
FED. ROAD DIST. NO. 7		ILLINOIS	FED. AID PROJECT	

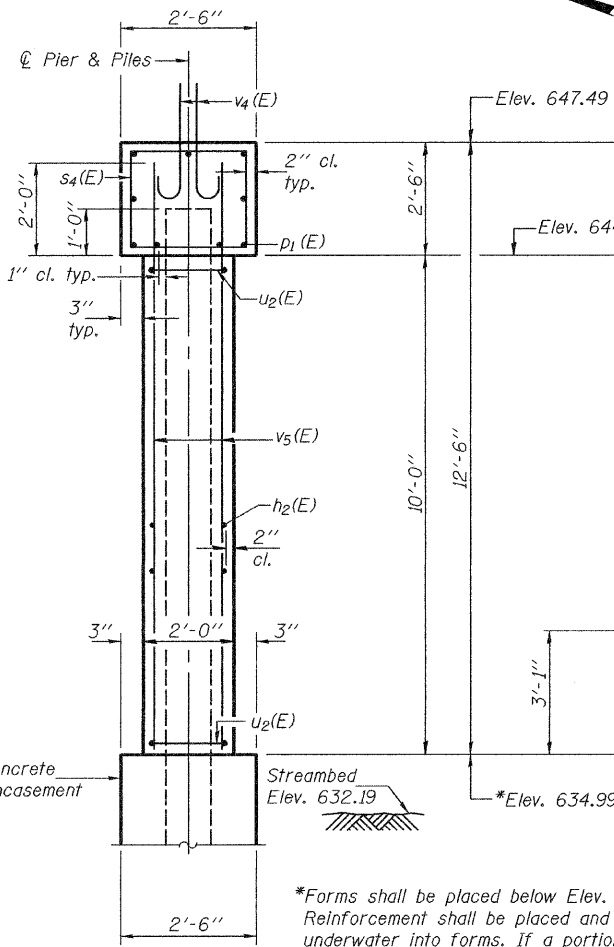
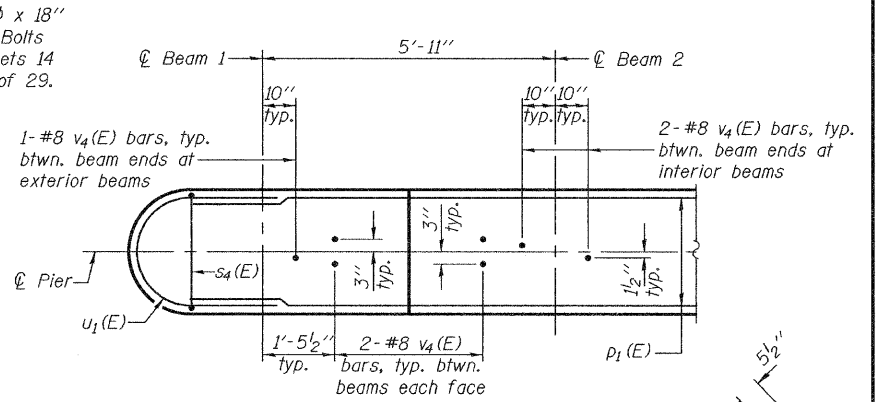
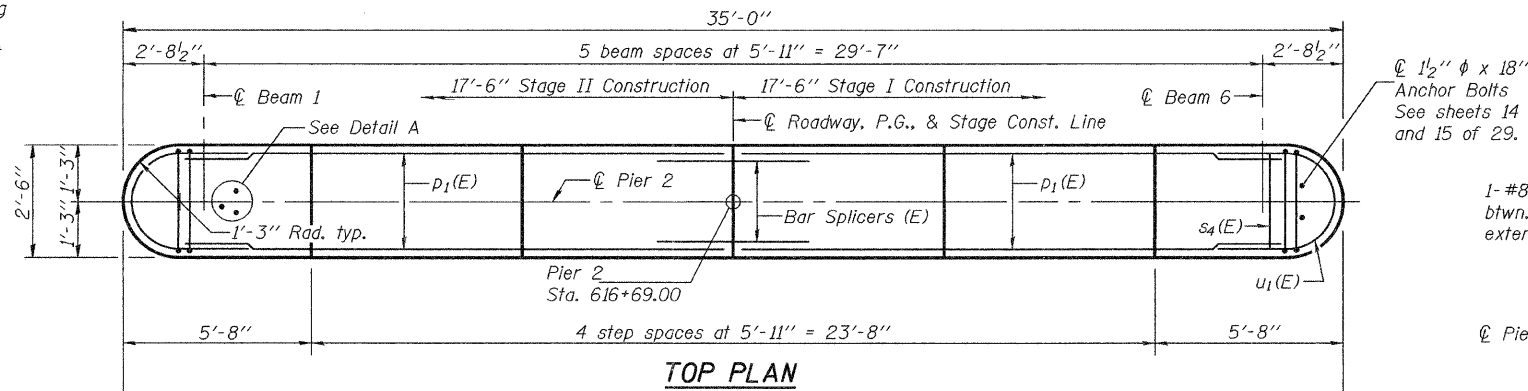
SHEET NO. 25
29 SHEETS

Contract #74145

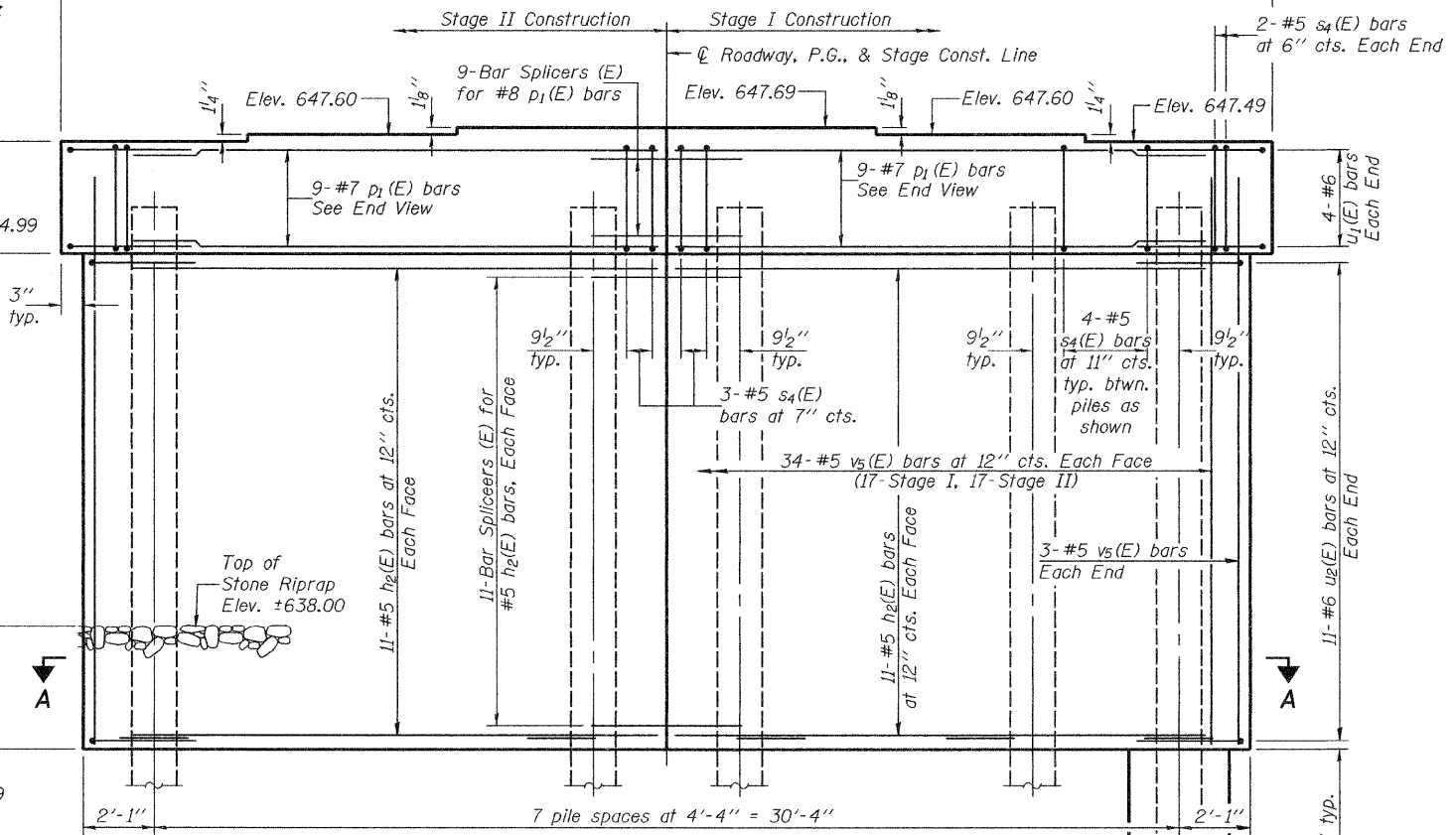
Notes:
Pour steps monolithically with cap.
For details of piles, see sheet 26 of 29.
The Contractor shall limit the pile hammer size selected considering the relatively high soil strengths indicated in the borings and avoid overdriving the piles beyond their nominal required bearing to prevent pile damage during driving.

PILE DATA

Type: 14" Metal Shell with 0.312" Wall Thickness
Nominal Required Bearing: 427 k
Factored Resistance Available: 213 k
Est. Length: 71'-0"
No. Production Piles: 7
No. Test Piles: 1



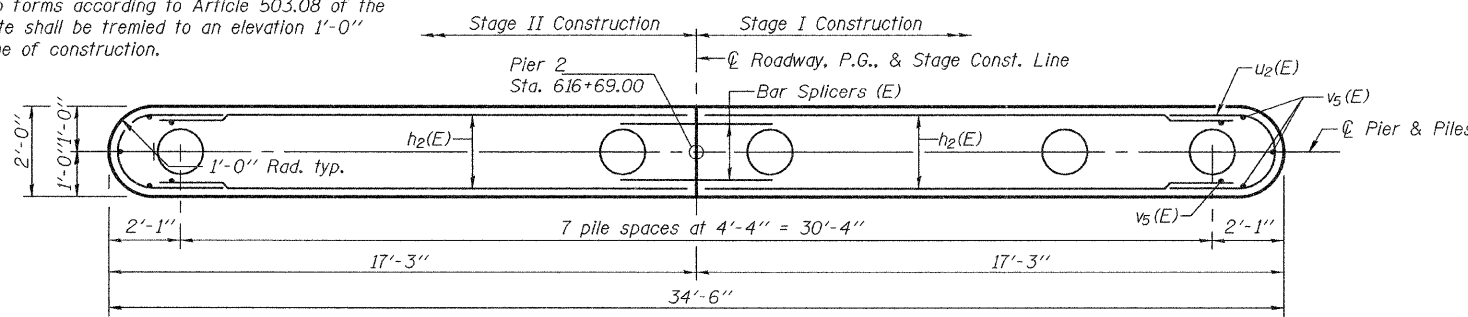
*Forms shall be placed below Elev. 634.99 after excavation for pier wall. Reinforcement shall be placed and concrete encasement shall be poured underwater into forms. If a portion of the pier wall is underwater, concrete shall be tremied underwater into forms according to Article 503.08 of the Standard Specifications. Concrete shall be tremied to an elevation 1'-0" above the water level at the time of construction.



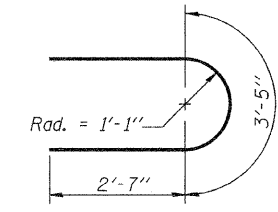
ELEVATION
(Looking East)

See Pile Encasement Detail, Sheet 26 of 29.

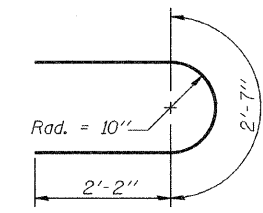
Bottom of Pile Encasement Elev. 625.99



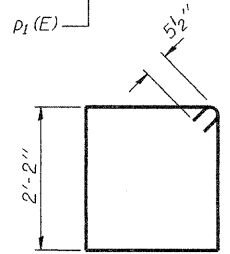
SECTION A-A



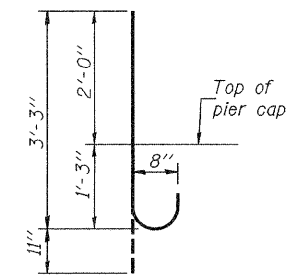
BAR u1(E)



BAR u2(E)



BAR s4(E)



BAR v4(E)

BILL OF MATERIAL

Bar	No.	Size	Length	Shape
h2(E)	44	#5	16'-1"	—
p1(E)	18	#7	16'-1"	—
s4(E)	34	#5	9'-7"	□
u1(E)	8	#6	8'-7"	U
u2(E)	22	#6	6'-11"	U
v4(E)	30	#8	4'-2"	U
v5(E)	74	#5	11'-11"	—
Structure Excavation		Cu. Yd.	11	
Concrete Structures		Cu. Yd.	33.5	
Reinforcement Bars, Epoxy Coated		Pound	3250	
Furnishing Metal Shell Piles, 14"φ x 0.312"		Foot	497	
Driving Piles		Foot	497	
Test Pile Metal Shells		Each	1	
Concrete Encasement		Cu. Yd.	13.1	
Underwater Structure Excavation Protection, Location 2		Each	1	

DESIGNED	Ray Ahanchi
CHECKED	Nick Barnett
DRAWN	BECKY M. LEACH
CHECKED	GRA & NRB

November 14, 2008
EXAMINED *Thomas J. Domagalala*
PASSED *Ralph E. Anderson*
ENGINEER OF BRIDGES AND STRUCTURES

PIER 2
F.A.S. ROUTE 1536 - SEC. 125BR
MACON COUNTY
STATION 616+26.50
STRUCTURE NO. 058-0132