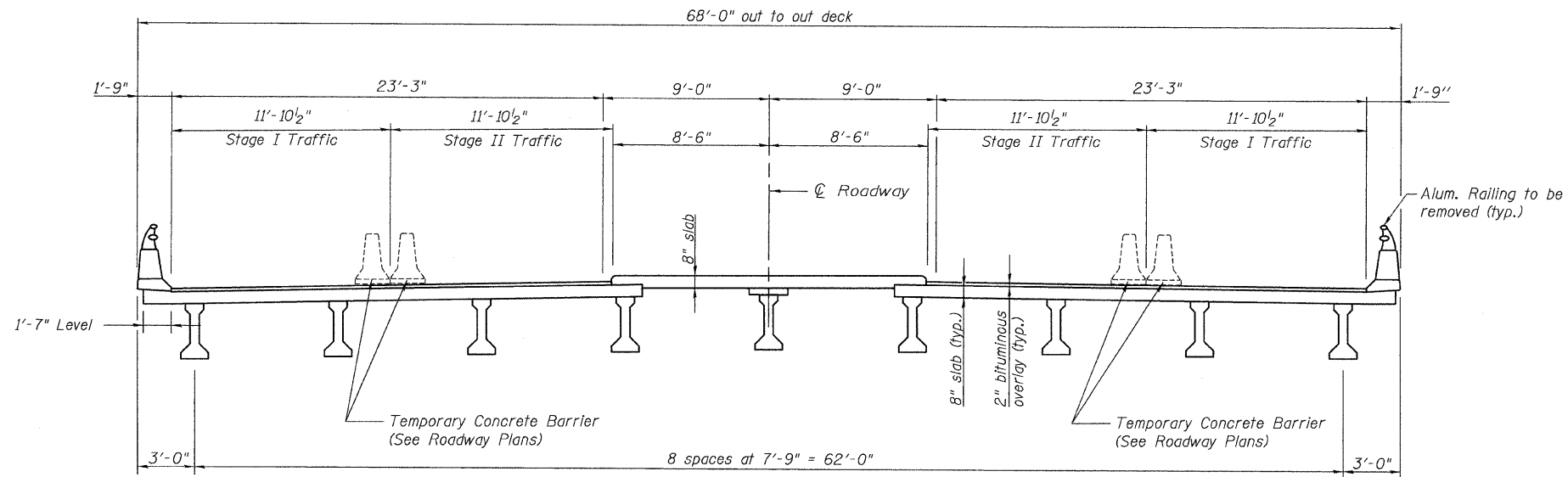
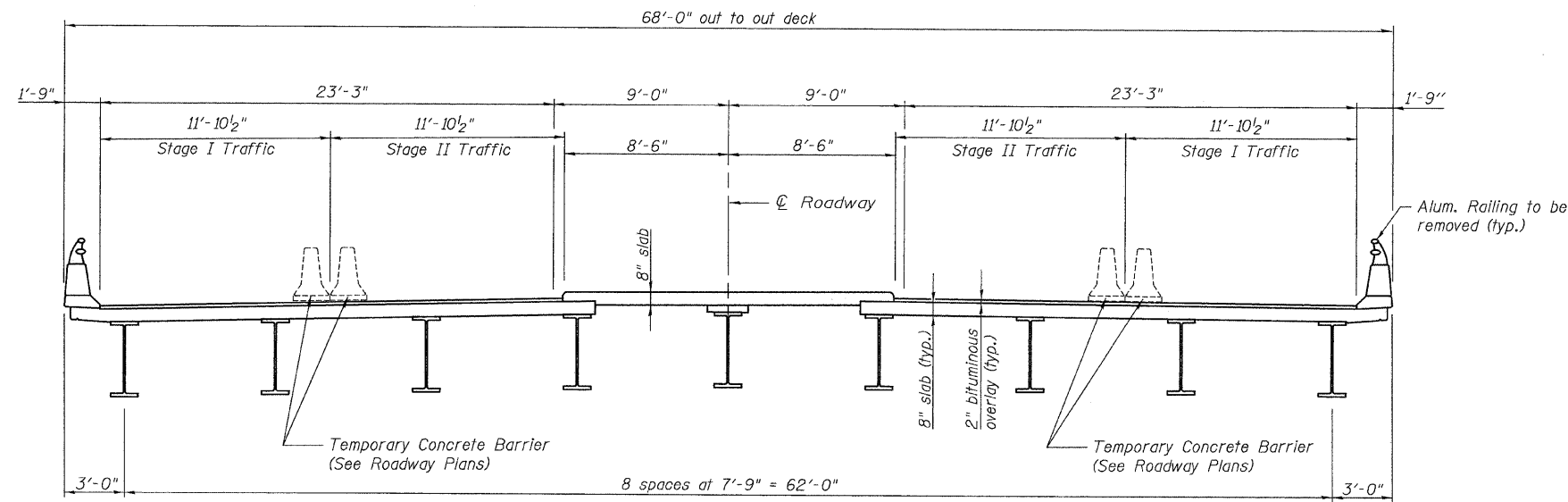


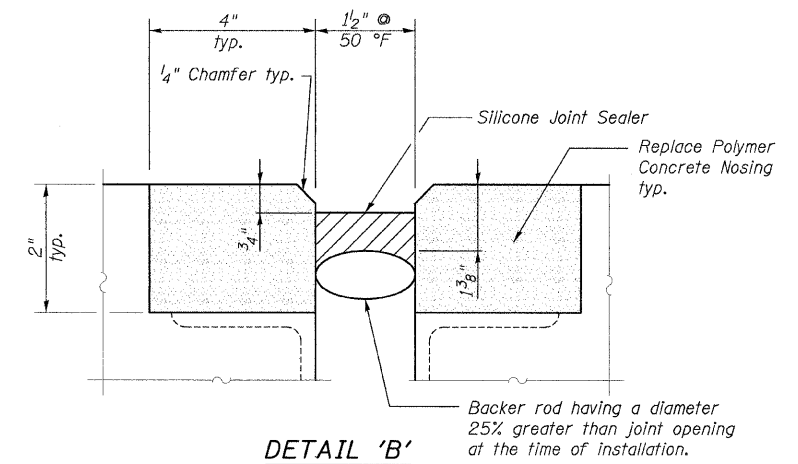
STATE OF ILLINOIS
DEPARTMENT OF TRANSPORTATION



EXISTING CROSS SECTION - APPROACH SPANS



EXISTING CROSS SECTION - MAIN SPANS



BILL OF MATERIAL

Item	Unit	Total
Deck Slab Repair (Full Depth, Type II)	Sq. Yd.	1
Deck Slab Repair (Partial)	Sq. Yd.	63
Silicone Joint Sealer	Foot	17
Polymer Concrete	Cu. Ft.	1.9

SUPERSTRUCTURE CROSS SECTIONS

SHEET NO. 3	F.A.I. RTE.	SECTION	COUNTY	TOTAL SHEETS	SHEET NO.
5 SHEETS	64	82-(8,9,10)RS-3	ST. CLAIR	78	64
S.N. 082-0190			CONTRACT NO. 76855		
FED. ROAD DIST. NO. - ILLINOIS FED. AID PROJECT					

DESIGNED	B.G.H.
CHECKED	L.D.G.
DRAWN	K.M.M.
CHECKED	B.G.H.