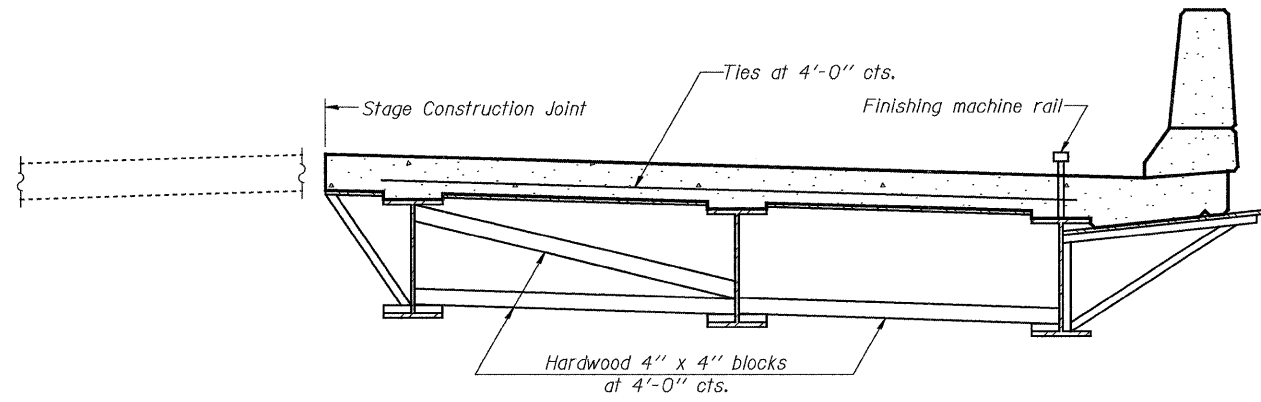


STATE OF ILLINOIS
DEPARTMENT OF TRANSPORTATION



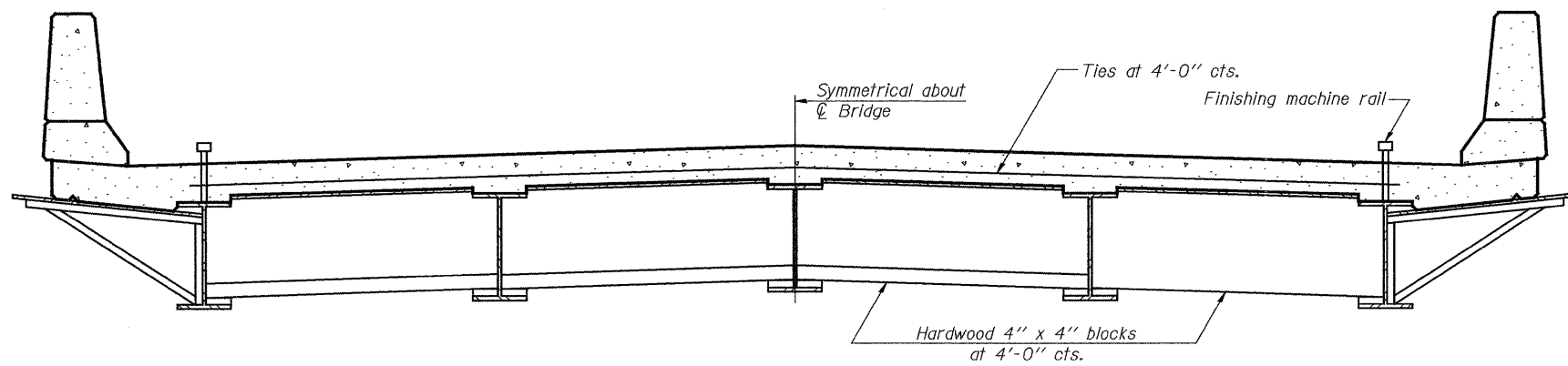
FORM BRACES FOR STAGE CONSTRUCTION

When cantilever forming brackets are used, the work shall be done according to Article 503.06(b) of the Standard Specifications, except as modified below and in the details shown on this sheet.

The finishing machine rails shall be placed on the top flange of the exterior beams.

The beams or girders, supporting cantilever forming brackets, shall be tied together at 4 foot intervals.

For Standard construction, or Stage Construction the Hardwood bracing materials shall be placed as shown between webs of beams in each bay.



FORM BRACES FOR STANDARD CONSTRUCTION

CANTILEVER FORMING BRACKETS
FOR SUPERSTRUCTURES WITH
W27 BEAMS AND SMALLER
ILLINOIS 96 OVER
FOX CREEK
STRUCTURE NO. 007-0028

DESIGNED: JDQ	DRAWN: SJS
CHECKED: DCD	CHECKED: DCD

SB-1

5-16-08

SHEET 19 OF 22	F.A.P. RTE.	SECTION	COUNTY	TOTAL SHEETS	SHEET NO.
	304	5A-BR	CALHOUN	60	42
STA. 475+19.62		CONTRACT NO. 76886			
FED. ROAD DIST. NO.		ILLINOIS FED. AID PROJECT			

FILE: J:\JDQ\1064 IL 96 Fox Creek-FINAL\FoxCreek\19formbrkt.dgn

USER: DCD

DATE: 11/26/2008 10:41:02