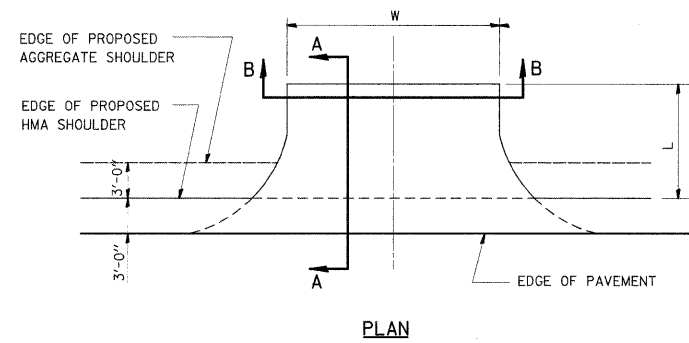
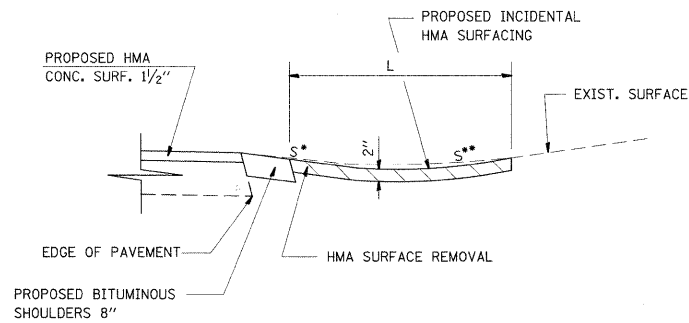


DETAIL OF HMA ENTRANCES

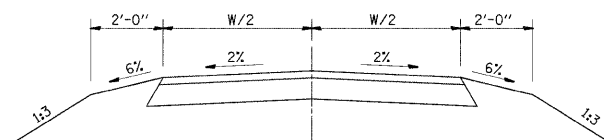


PLAN



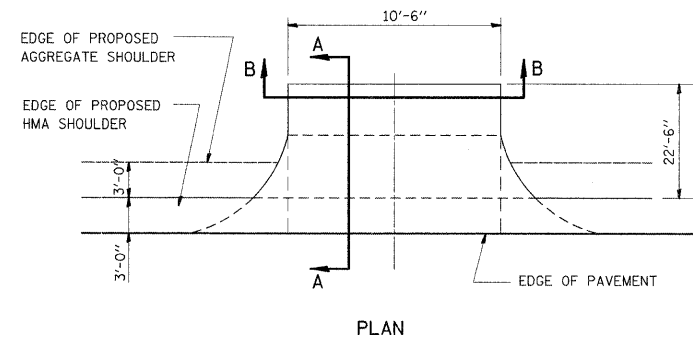
P.E. @ STA. 1113+13.87 LT L=14.5' S*=4% S**=16.5% W=14'
 P.E. @ STA. 1114+77.66 RT L=14.95' S*=4% S**=6% W=19.5'
 P.E. @ STA. 1114+98.40 LT L=28.75' S*=4% S**=8% W=14.5'

SECTION A-A WITH NEGATIVE GRADE

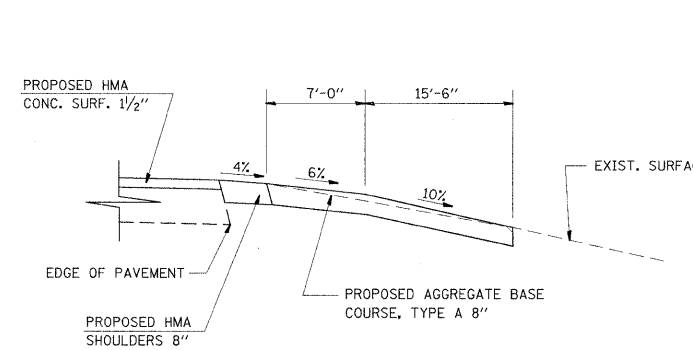


SECTION B-B

DETAIL OF FIELD ENTRANCE

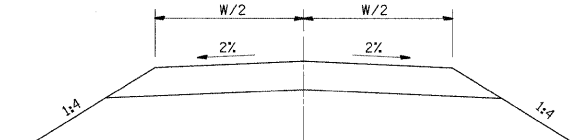


PLAN



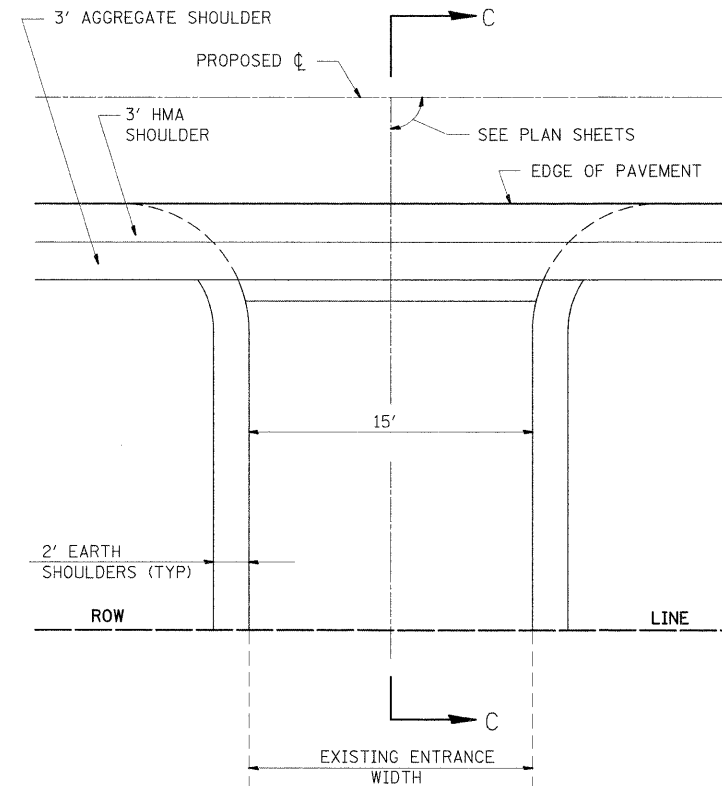
F.E. @ STA. 1121+97.99 LT

SECTION A-A WITH NEGATIVE GRADE



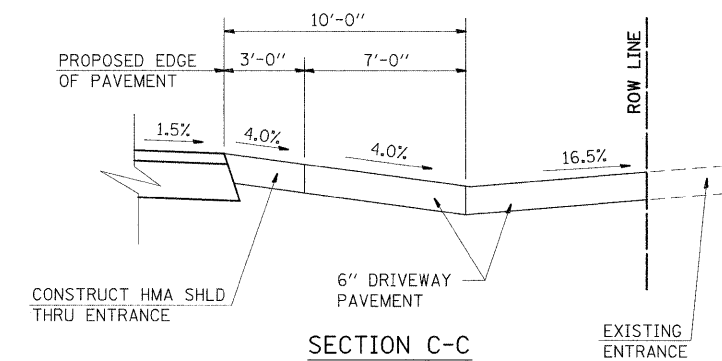
SECTION B-B

DETAIL OF PCC ENTRANCE



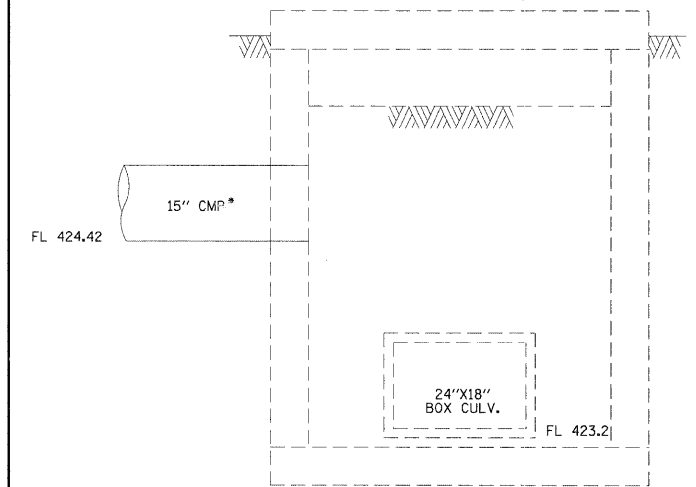
CE DETAIL C

P.E. @ STA 1114+22.76 LT



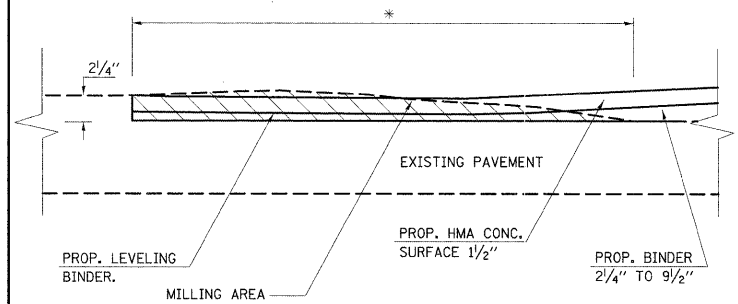
SECTION C-C

EXISTING MANHOLE DETAIL



* REMOVE EXISTING 15" CMP AND CONNECT PROPOSED 15" CMP AT THE SAME FLOW LINE ELEVATION

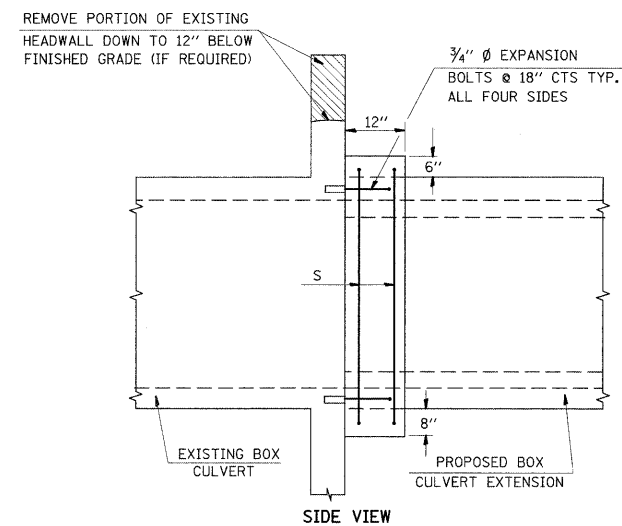
HMA SURFACE REMOVAL DETAIL



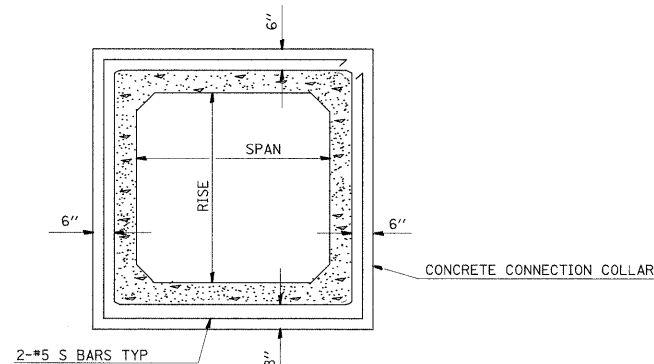
* BEGINNING STA. 1112+75.00 TO STA. 1115+74.14
 ENDING STA. 1124+20.00 TO STA. 1124+75.00

DRAWING NOT TO SCALE

DETAIL OF BOX CULVERT EXTENSION



SIDE VIEW



END VIEW

SPAN X RISE	CL SI CONCRETE CU YD (EST)
2' X 1.5'	0.26

THE CONCRETE COLLAR AS DETAIL AND REMOVAL OF SUCH PORTIONS OF THE EXISTING HEADWALL AS MAY BE REQUIRED ARE INCIDENTAL TO PRECAST CONCRETE BOX CULVERT 2' X 1.5'. CLASS SI CONCRETE SHALL BE USED THROUGHOUT.

GENERAL NOTES

1. THE CONNECTION COLLAR SHALL BE CLASS X CONCRETE THROUGHOUT.
2. UNSUITABLE MATERIAL SHALL BE DISPOSED OF AS PER THE STANDARD SPECIFICATIONS.
3. EXPANSION BOLTS SHALL CONSIST OF SELF-DRILLING EXPANSION SHIELDS AND 3/4" DIAMETER HOOKED BOLTS. HOOKED BOLTS SHALL EXTEND A MINIMUM OF 9" INTO NEW CONCRETE.
4. INSTALLATION OF THE CULVERT EXTENSION SHALL INCLUDE CONCRETE REMOVAL AS NECESSARY, CONCRETE CONNECTION COLLARS, FITTING, 3/4" EXPANSION BOLTS, REINFORCEMENT BARS, AND ALL OTHER MATERIAL REQUIRED TO COMPLETE THIS WORK. COST OF THIS WORK SHALL BE INCLUDED IN THE CONTRACT UNIT PRICE BID FOR CULVERT AS SPECIFIED.