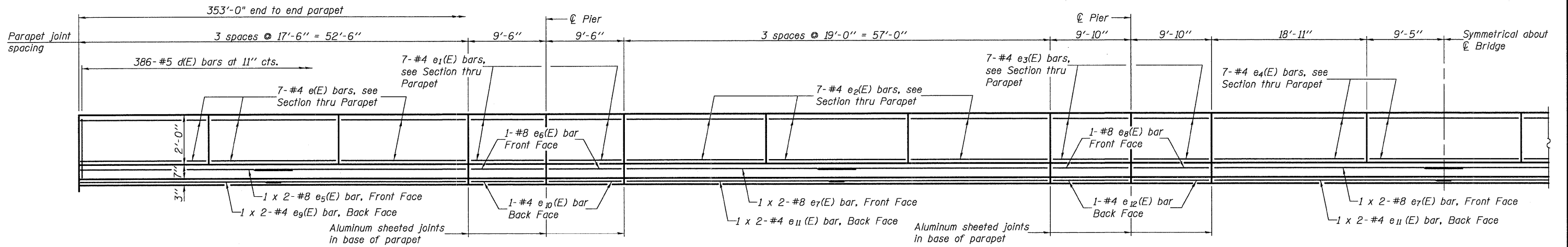
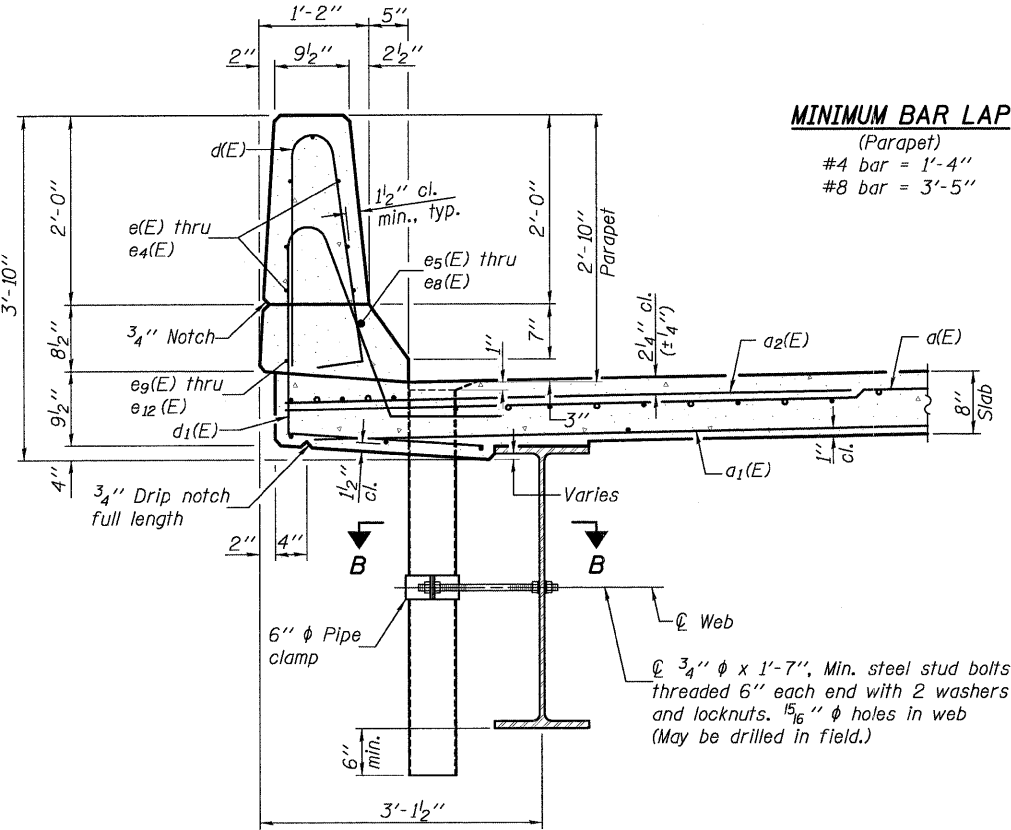


0140078.76976.12.SSD1.DGN NOV. 21, 2008

STATE OF ILLINOIS
DEPARTMENT OF TRANSPORTATION



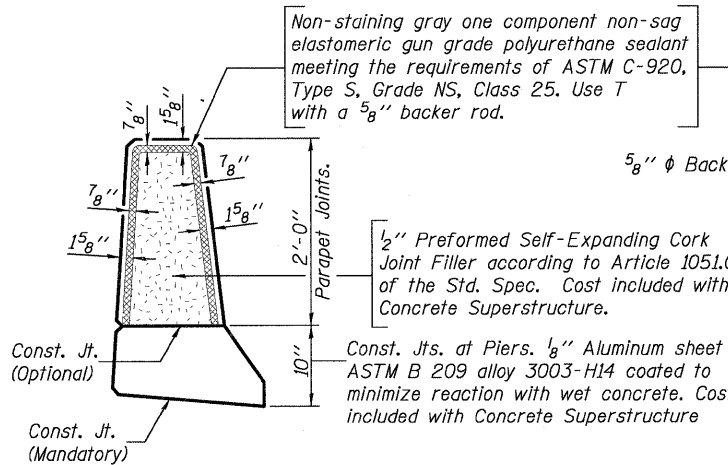
INSIDE ELEVATION OF PARAPET



SECTION THRU PARAPET

MINIMUM BAR LAP

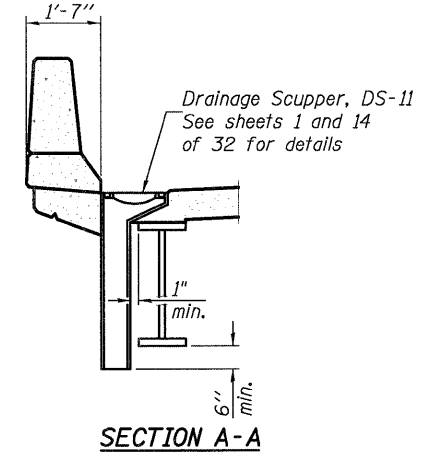
(Parapet)
#4 bar = 1'-4"
#8 bar = 3'-5"



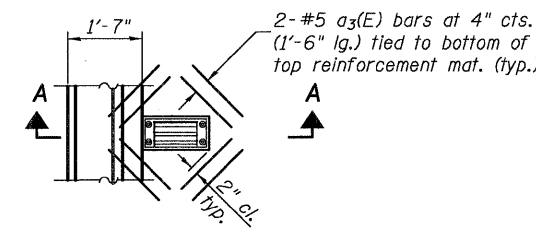
PARAPET JOINT DETAILS

Notes:

The exterior surfaces of the floor drains shall be painted with the finish coat as specified in the special provisions for Cleaning and Painting New Metal Structures. The exterior surfaces of the drains shall be cleaned according to Society of Protective Coatings Spec. SSPC-SP1 prior to painting. Fiberglass pipe shall conform to ASTM D 2996, with short-time rupture strength hoop tensile stress of 30,000 p.s.i. minimum. Drains shall be located clear of all diaphragms.



SECTION A-A



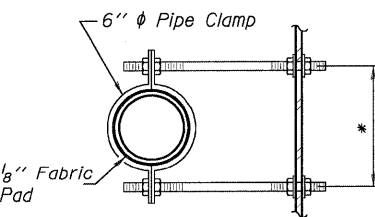
SCUPPER PLAN

Note:
Cut longitudinal reinforcement to clear drainage scuppers.

**SUPERSTRUCTURE
BILL OF MATERIAL**

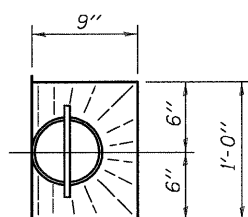
Bar	No.	Size	Length	Shape
d(E)	1,304	#5	19'-1"	—
a1(E)	848	#5	18'-6"	—
a2(E)	1,304	#6	6'-0"	—
a3(E)	16	#5	1'-6"	—
b(E)	420	#5	37'-3"	—
b1(E)	396	#5	34'-1"	—
b2(E)	160	#6	39'-6"	—
d(E)	772	#5	5'-7"	—
d1(E)	772	#5	7'-10"	—
e(E)	84	#4	17'-3"	—
e1(E)	56	#4	9'-3"	—
e2(E)	84	#4	18'-9"	—
e3(E)	56	#4	9'-7"	—
e4(E)	42	#4	18'-7"	—
e5(E)	8	#8	27'-10"	—
e6(E)	8	#8	9'-3"	—
e7(E)	12	#8	30'-1"	—
e8(E)	8	#8	9'-7"	—
e9(E)	8	#4	26'-10"	—
e10(E)	8	#4	9'-3"	—
e11(E)	12	#4	29'-0"	—
e12(E)	8	#4	9'-7"	—
m(E)	8	#6	18'-5"	—
m1(E)	12	#6	19'-3"	—
m2(E)	24	#6	8'-2"	—
m3(E)	8	#6	6'-3"	—
m4(E)	8	#6	2'-10"	—
s(E)	84	#5	6'-11"	—
s1(E)	72	#4	10'-0"	—
Reinforcement Bars, Epoxy Coated	Pound		112,530	
Concrete Superstructure	Cu. Yds.		466.4	
Bar Splicers (E)	Each		1,092	

Bars indicated thus 1 x 2-#8 etc. indicates 1 line of bars with 2 lengths per line.

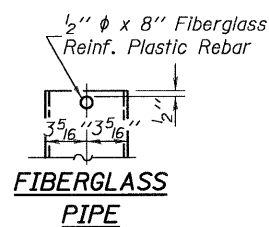


SECTION B-B

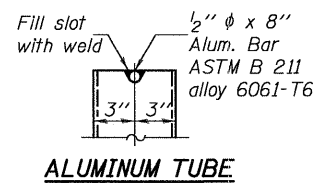
*Dimension as required by Pipe Clamp



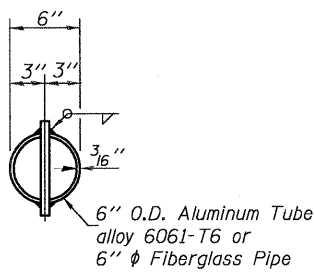
TOP PLAN



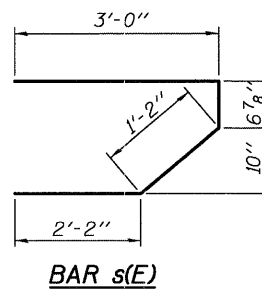
FIBERGLASS PIPE



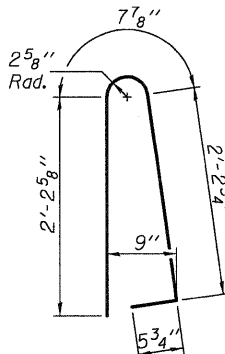
ALUMINUM TUBE



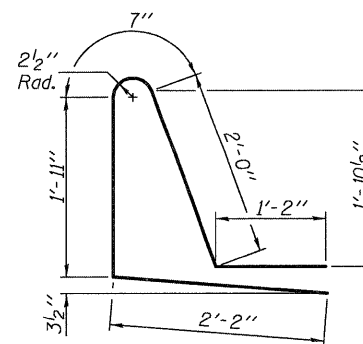
TOP PLAN (Showing Aluminum Tube)



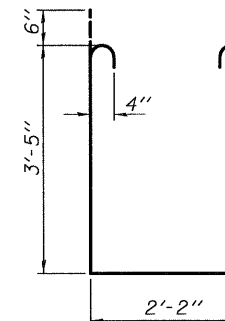
BAR s(E)



BAR d(E)



BAR d1(E)



BAR s1(E)

SUPERSTRUCTURE DETAILS

SHEET NO.	F.A.P. RTE.	SECTION	COUNTY	TOTAL SHEETS	SHEET NO.
12	805	126-BR-1	CLINTON	25	43
34 SHEETS		S.N. 014-0078			CONTRACT NO. 76976
		FED. ROAD DIST. NO. _	ILLINOIS	FED. AID PROJECT	