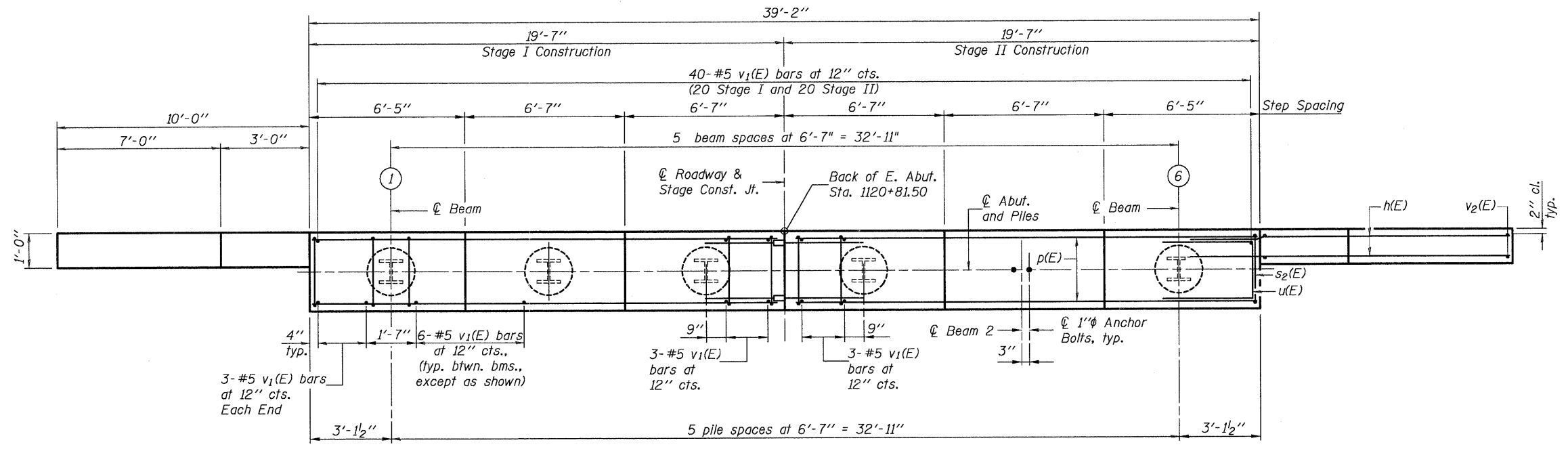
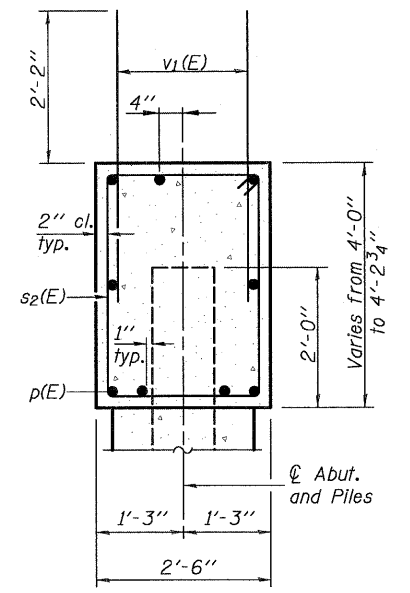
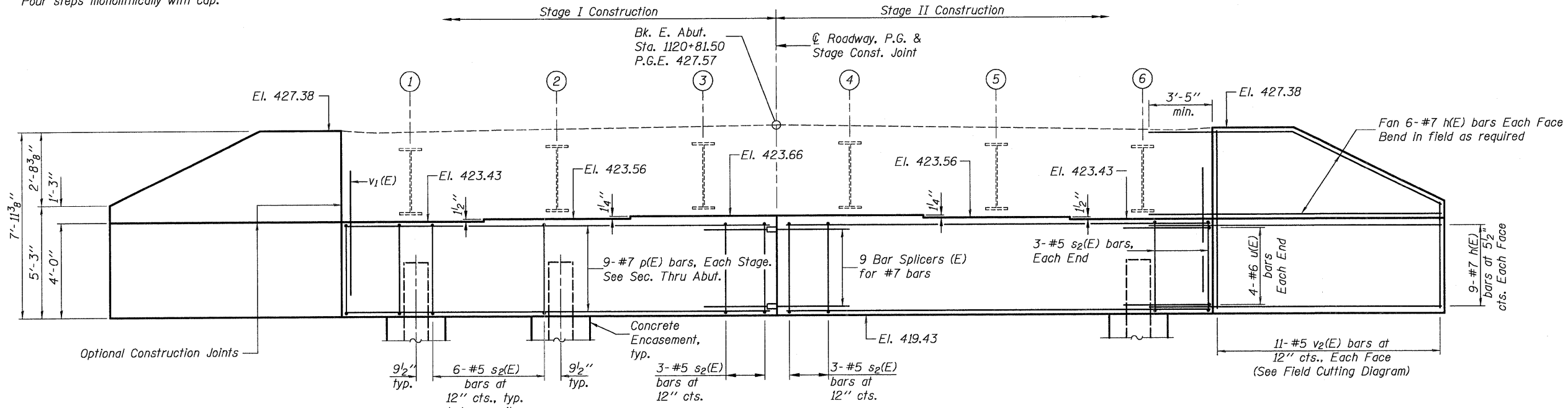


0140078.76976-21.EABT.DGN DEC. 8, 2008

**STATE OF ILLINOIS  
DEPARTMENT OF TRANSPORTATION**

**Notes:**  
Space reinforcement in cap to miss anchor bolts.  
Pour steps monolithically with cap.



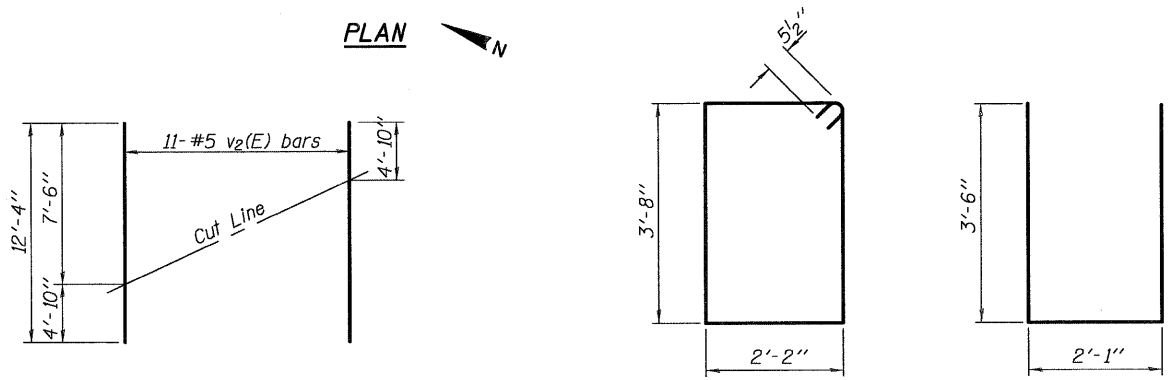
**BILL OF MATERIAL**

Bar	No.	Size	Length	Shape	
h(E)	60	#7	14'-0"	—	
p(E)	18	#7	19'-3"	—	
s <sub>2</sub> (E)	36	#5	12'-7"	□	
u(E)	8	#6	9'-1"	—	
v <sub>1</sub> (E)	76	#5	4'-4"	—	
v <sub>2</sub> (E)	22	#5	12'-4"	—	
Structure Excavation				Cu. Yd.	89
Concrete Structures				Cu. Yd.	20.1
Reinforcement Bars, Epoxy Coated				Pound	3,640
Furnishing Steel Piles HP 12x63				Foot	385
Driving Piles				Foot	385
Test Pile Steel HP 12x63				Each	1
Concrete Encasement				Cu. Yd.	2.1
Bar Splicers (E)				Each	9

For details of Bar Splicers, see sheet 26 of 34.  
For details of piles and Concrete Encasement, see sheet 27 of 34.

**PILE DATA**

Type: HP 12x63  
Nominal Required Bearing: 497 kips  
Factored Resistance Available: 248 kips  
Est. Length: 77 feet  
No. Production Piles: 5  
No. Test Piles: 1



Order v<sub>2</sub>(E) full length. Cut as shown and use remainder of bars in opposite face.

DESIGNED	B.G.H.
CHECKED	L.D.G.
DRAWN	K.H.L.
CHECKED	B.G.H.

AI-O 5-16-08

SHEET NO. 21 34 SHEETS	F.A.P. RTE. 805	SECTION 126-BR-1	COUNTY CLINTON	TOTAL SHEETS 85	SHEET NO. 52
	S.N. 014-0078			CONTRACT NO. 76976	
FED. ROAD DIST. NO. ILLINOIS FED. AID PROJECT					

**EAST ABUTMENT**