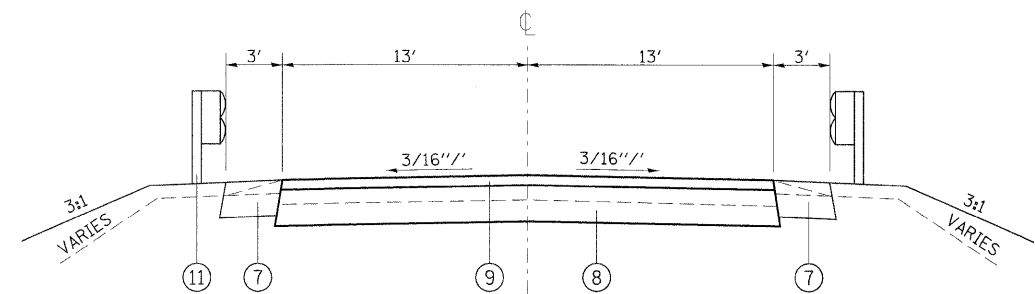


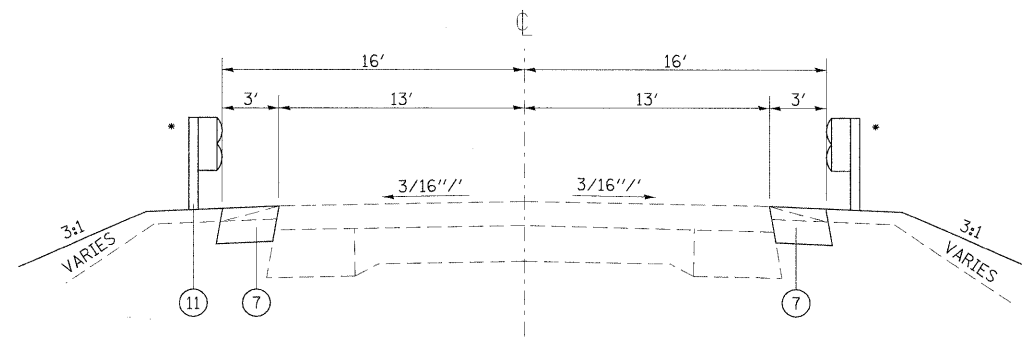
PROPOSED TYPICAL SECTION

STA. 1064+98 TO STA. 1065+15



PROPOSED TYPICAL SECTION

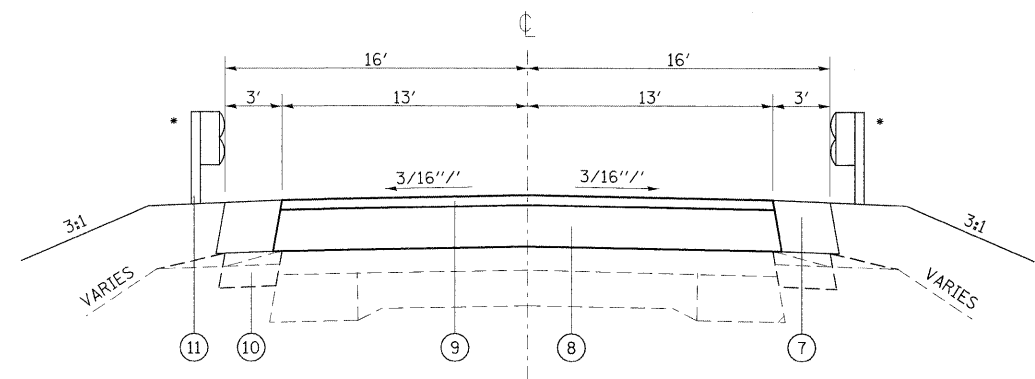
STA. 1067+87 TO STA. 1068+83



PROPOSED TYPICAL SECTION

STA. 1065+15 TO STA. 1067+87
STA. 1068+83 TO STA. 1071+45
STA. 1120+00 TO STA. 1120+50

• STA. 1066+51.5 TO STA. 1067+87 LT
STA. 1068+83 TO STA. 1071+18.5 LT
STA. 1065+51.5 TO STA. 1067+87 RT
STA. 1068+03 TO STA. 1070+18.5 RT



PROPOSED TYPICAL SECTION

STA. 1120+50 TO STA. 1122+79
STA. 1124+38 TO STA. 1127+00

• STA. 1121+39.5 TO STA. 1123+07.5 LT
STA. 1123+94.5 TO STA. 1126+12.5 LT
STA. 1120+54.5 TO STA. 1123+22.5 RT
STA. 1124+09.5 TO STA. 1125+77.5 RT

LEGEND

- ① EXISTING PCC PAVEMENT - 9'-6"-9"
- ② EXISTING BITUMINOUS SURFACE - ±5"
- ③ EXISTING WIDENING - 9"
- ④ EXISTING AGGREGATE SHOULDER
- ⑤ EXISTING TYPE B GUTTER
- ⑥ EXISTING GUARDRAIL
- ⑦ PROPOSED HOT-MIX ASPHALT SHOULDER (VARIES)
- ⑧ PROPOSED HOT-MIX ASPHALT BINDER COURSE (VARIES)
- ⑨ PROPOSED HOT-MIX ASPHALT SURFACE COURSE - 1 1/2 "
- ⑩ PROPOSED HOT-MIX ASPHALT BASE COURSE WIDENING - 9"
- ⑪ PROPOSED GUARDRAIL

• STA. 1066+51.5 TO STA. 1067+87 LT
STA. 1068+83 TO STA. 1071+18.5 LT
STA. 1065+51.5 TO STA. 1067+87 RT
STA. 1068+03 TO STA. 1070+18.5 RT

FILE NAME =	USER NAME = harbaughrd	DESIGNED -	REVISED -	STATE OF ILLINOIS DEPARTMENT OF TRANSPORTATION	PROPOSED TYPICAL SECTIONS			F.A.P. RTE.	SECTION	COUNTY	TOTAL SHEETS	SHEET NO.
01\pwwork\pwwork\harbaughrd\dms51889\p	01500a.dgn	DRAWN -	REVISED -					761	104-BR-2	GREENE	82	6
	PLOT SCALE = 50,0000' / IN.	CHECKED -	REVISED -		CONTRACT NO. 76987							
	PLOT DATE = 12/18/2008	DATE	REVISED -		SCALE:	SHEET NO. 2 OF 2 SHEETS	STA.	TO STA.	FED. ROAD DIST. NO.	ILLINOIS	FED. AID PROJECT	