

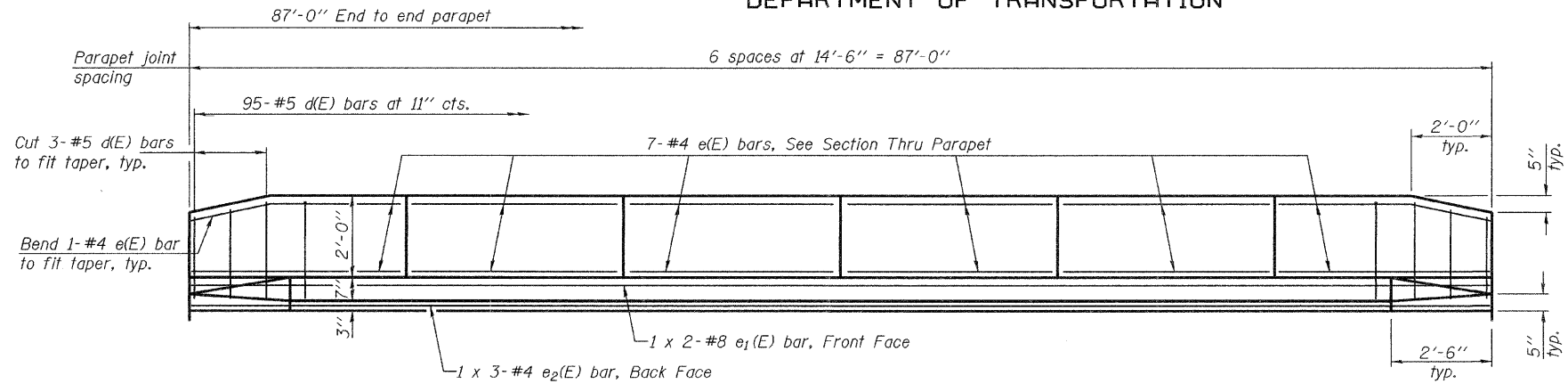
STATE OF ILLINOIS  
DEPARTMENT OF TRANSPORTATION

ROUTE NO.	SECTION	COUNTY	TOTAL SHEETS	SHEET NO.	SHEET NO. 10 20 SHEETS
FAP 761	104-BR-2	GREENE	82	59	
FED. ROAD DIST. NO. 7	ILLINOIS		FED. AID PROJECT		

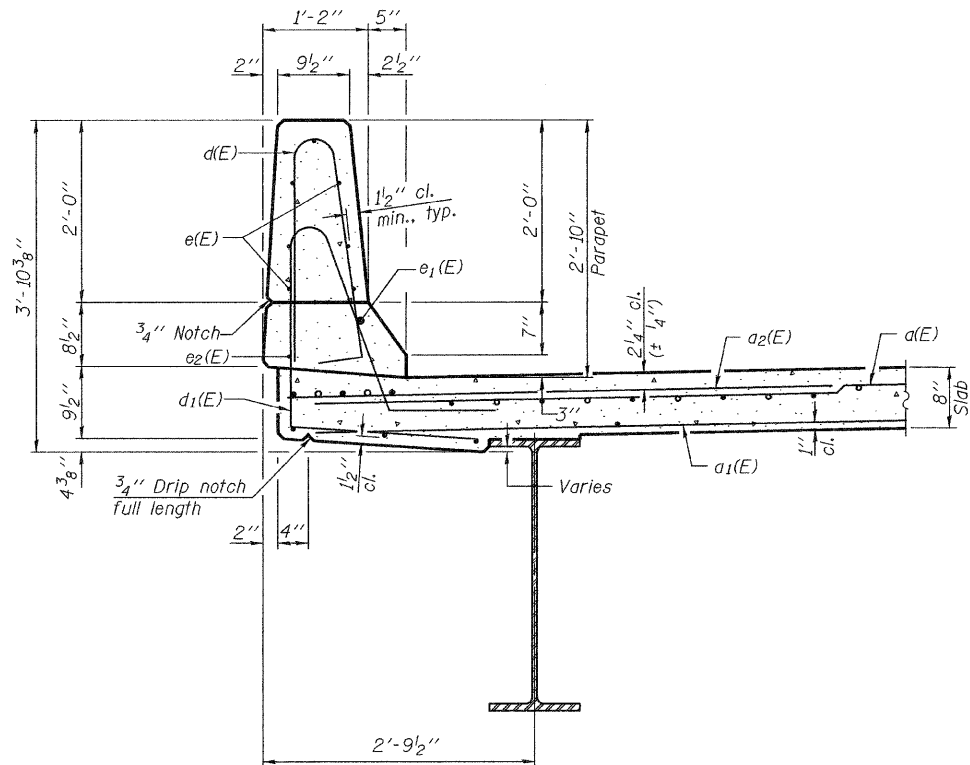
Contract #76987

**MINIMUM BAR LAP**

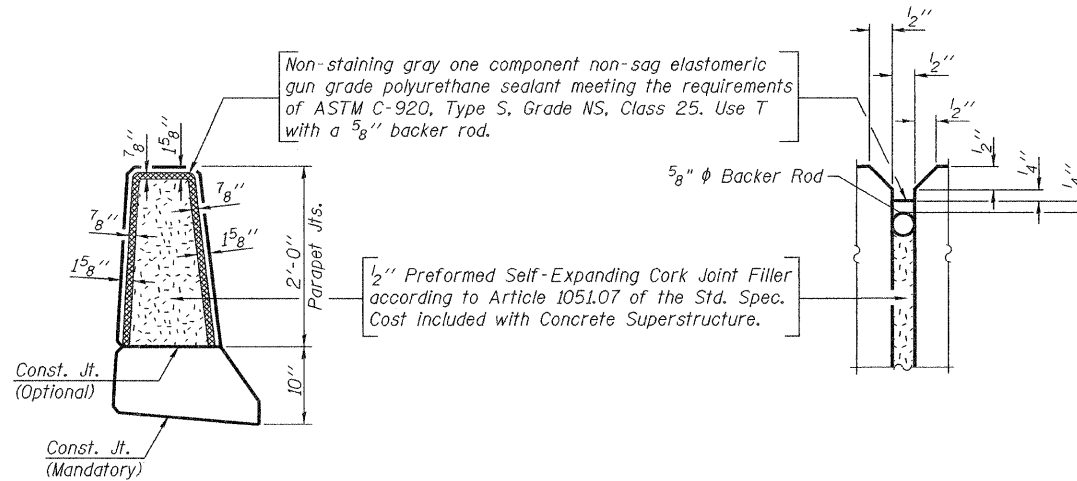
(Parapet)  
#4 bars = 1'-4"  
#8 bars = 3'-5"



**INSIDE ELEVATION OF PARAPET**



**SECTION THRU PARAPET**

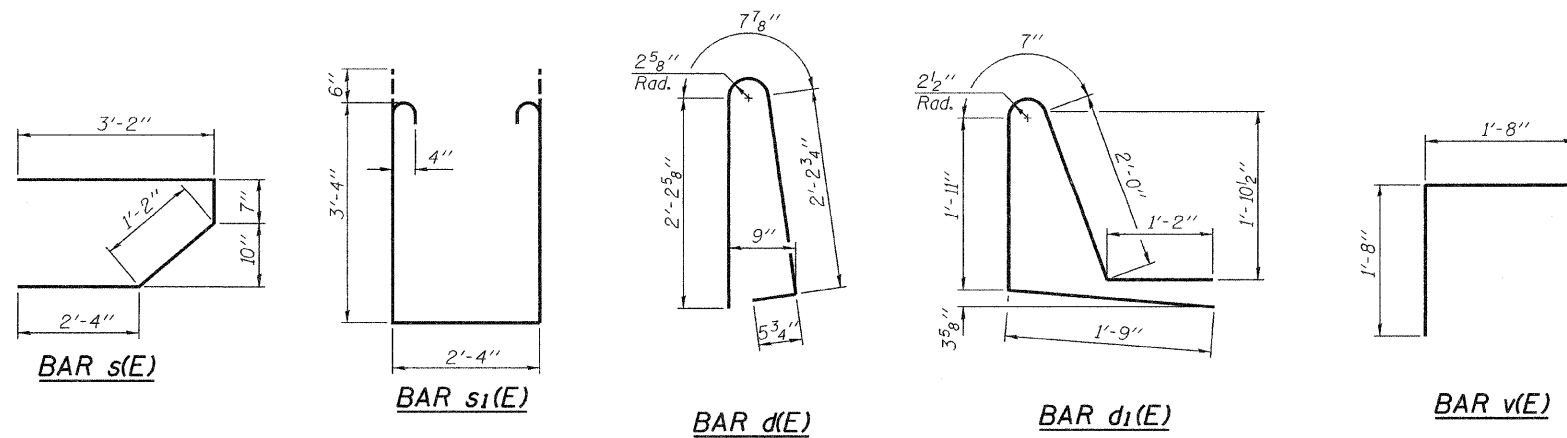


**PARAPET JOINT DETAILS**

**SUPERSTRUCTURE  
BILL OF MATERIAL**

Bar	No.	Size	Length	Shape
a(E)	298	#5	17'-1"	—
a1(E)	208	#5	16'-3"	—
a2(E)	298	#6	6'-0"	—
a3(E)	8	#5	17'-11"	—
b(E)	114	#5	30'-5"	—
b1(E)	128	#5	23'-4"	—
d(E)	190	#5	5'-7"	⌋
d1(E)	190	#5	7'-5"	⌋
e(E)	84	#4	14'-2"	—
e1(E)	4	#8	45'-3"	—
e2(E)	6	#4	29'-10"	—
m(E)	8	#6	18'-0"	—
m1(E)	12	#6	19'-0"	—
m2(E)	24	#6	8'-0"	—
m3(E)	8	#6	6'-2"	—
m4(E)	8	#6	2'-10"	—
s(E)	84	#5	7'-3"	⌋
s1(E)	72	#4	10'-0"	⌋
v(E)	68	#5	3'-4"	⌋
Reinforcement Bars, Epoxy Coated		Pound	24,680	
Concrete Superstructure		Cu. Yds.	125.7	

Bars indicated thus 1 x2-#8 etc. indicates 1 line of bars with 2 lengths per line.



DESIGNED	Stephen M. Ryan
CHECKED	Michael D. Rolape
DRAWN	BECKY M. LEACH
CHECKED	SMR/MDR

EXAMINED	Thomas J. Domagala	January 22, 2008
PASSED	Ralph E. Anderson	

S-I-D 5-16-08

**SUPERSTRUCTURE DETAILS**  
F.A.P. ROUTE 761 - SECTION 104-BR-2  
GREENE COUNTY  
STATION 1123+58.50  
STRUCTURE NO. 031-0042