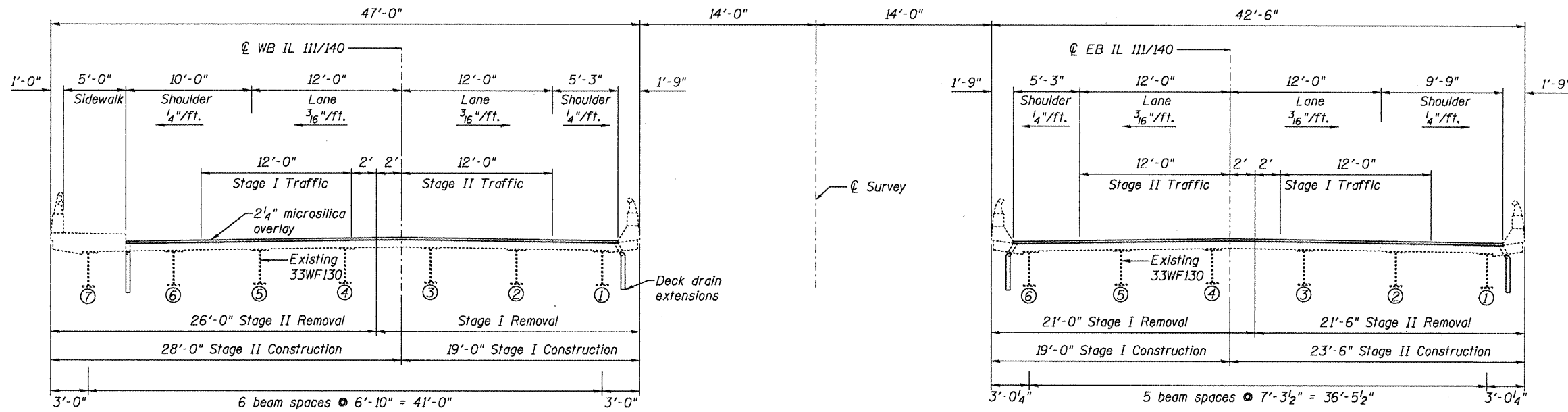


STATE OF ILLINOIS
DEPARTMENT OF TRANSPORTATION

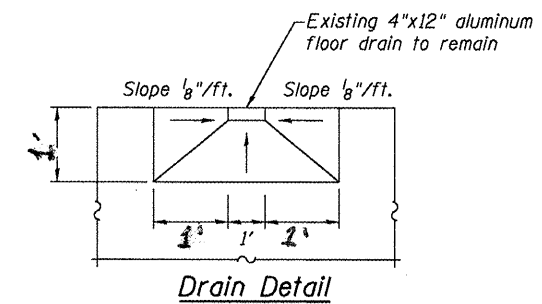


North Bridge (WB)
SN 060-0190
(Looking East)

South Bridge (EB)
SN 060-0187
(Looking East)

Notes

The existing 7/2" deck shall be scarified 1/2" and overlaid with 2 1/4" microsilica concrete overlay.
All drains shall be plugged or extended. See sheet 1 for locations.



DESIGNED J. Uehle	2008
CHECKED B. Williams	EXAMINED
DRAWN J. Uehle	ENGINEER OF BRIDGE DESIGN
CHECKED B. Williams	PASSED
	ENGINEER OF BRIDGES AND STRUCTURES

DECK CROSS SECTIONS
IL 111/140 OVER WOOD RIVER CREEK

SHEET NO. 2	F.A.P. RTE.	SECTION	COUNTY	TOTAL SHEETS	SHEET NO.
	785	132-4RS	MADISON	12	5
9 SHEETS	SN 060-0187 & 0190		CONTRACT NO. 76B89		
FED. ROAD DIST. NO. - ILLINOIS FED. AID PROJECT					