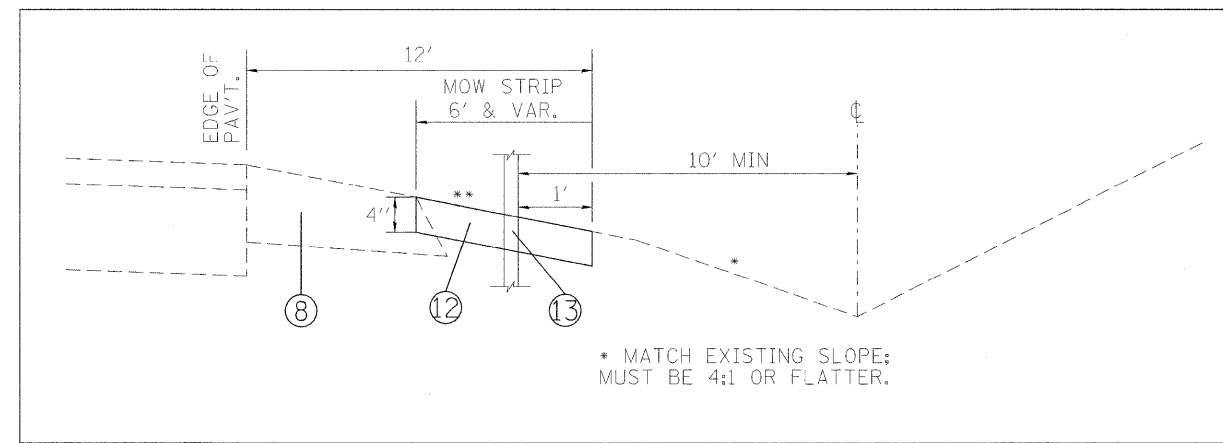


STA. 743+70 - STA. 782+93.80

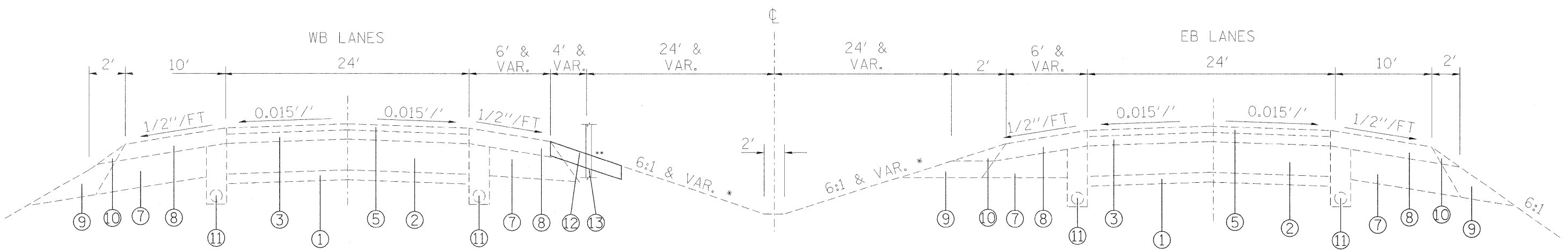
\* MEDIAN SLOPES VARY 6:1 AND FLATTER

\*\* LOCATION OF HTC AND MOW STRIP VARIES BETWEEN EB AND WB LANES. SEE PLAN SHEETS FOR LOCATIONS.

- ① EXIST. STABILIZED SUB-BASE 4"
- ② EXIST. CRPCC PAVEMENT 8"
- ③ EXIST. HMA BINDER COURSE 2-1/4"
- ④ EXIST. HMA OVERLAY 1-3/4" TO 3-1/2"
- ⑤ EXIST. HMA SURFACE COURSE, SMA, 1-1/2"
- ⑥ EXIST. HMA SURFACE COURSE, SMA, 2"
- ⑦ EXIST. STABILIZED SHOULDERS 8"
- ⑧ EXIST. HMA SHOULDER
- ⑨ EXIST. AGGREGATE SHOULDER
- ⑩ EXIST. AGGREGATE SHOULDER WEDGE, TYPE B
- ⑪ EXIST. PIPE UNDERDRAIN 4"
- ⑫ PROPOSED HOT-MIX ASPHALT SHOULDER, 4" (MOW STRIP)
- ⑬ PROPOSED HIGH TENSION MEDIAN CABLE BARRIER



\* MATCH EXISTING SLOPE; MUST BE 4:1 OR FLATTER.



STA. 782+93.80 - STA. 859+77.63  
 STA. 903+38.51 - STA. 948+05

FILE NAME =	USER NAME = conoverpj	DESIGNED -	REVISED -	<b>STATE OF ILLINOIS DEPARTMENT OF TRANSPORTATION</b>	<b>TYPICAL SECTIONS</b>			F.A.I. RTE.	SECTION	COUNTY	TOTAL SHEETS	SHEET NO.
est\pw_work\PWIDOT\CONOVERPJ\dms63235\d	76c14-sh1-plan.dgn	DRAWN -	REVISED -		SCALE: _____	SHEET NO. 1 OF 3 SHEETS	STA. _____ TO STA. _____	64	82-17,81	ST. CLAIR	52	4
PLOT SCALE = 50.0000' / IN.		CHECKED -	REVISED -					CONTRACT NO. 76C14				
PLOT DATE = 12/2/2008		DATE -	REVISED -					FED. ROAD DIST. NO. ILLINOIS FED. AID PROJECT				