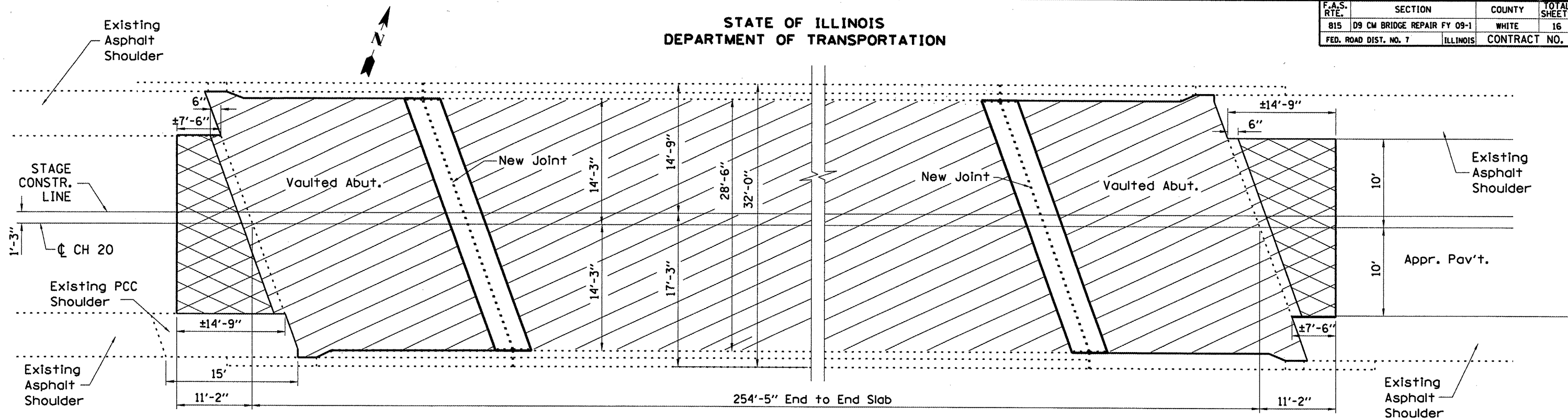


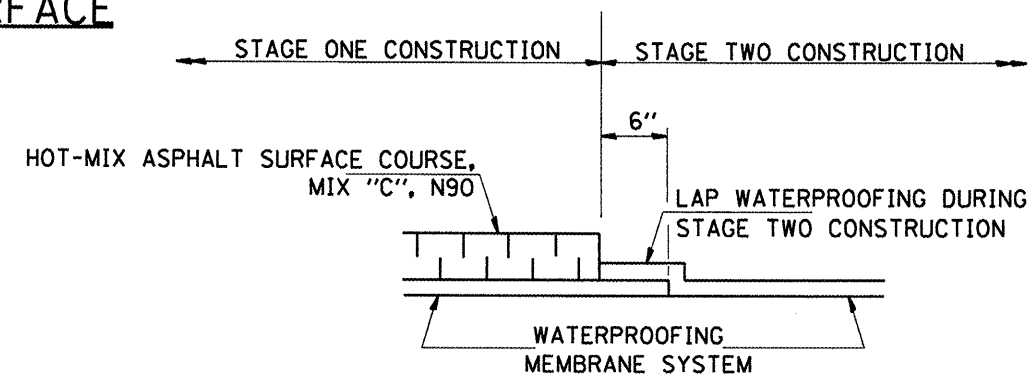
STATE OF ILLINOIS
DEPARTMENT OF TRANSPORTATION

| F.A.S. RTE. | SECTION | COUNTY | TOTAL SHEETS | SHEET NO. |
|-----------------------|-----------------------------|----------|--------------------|-----------|
| 815 | D9 CM BRIDGE REPAIR FY 09-1 | WHITE | 16 | 10 |
| FED. ROAD DIST. NO. 7 | | ILLINOIS | CONTRACT NO. 78094 | |

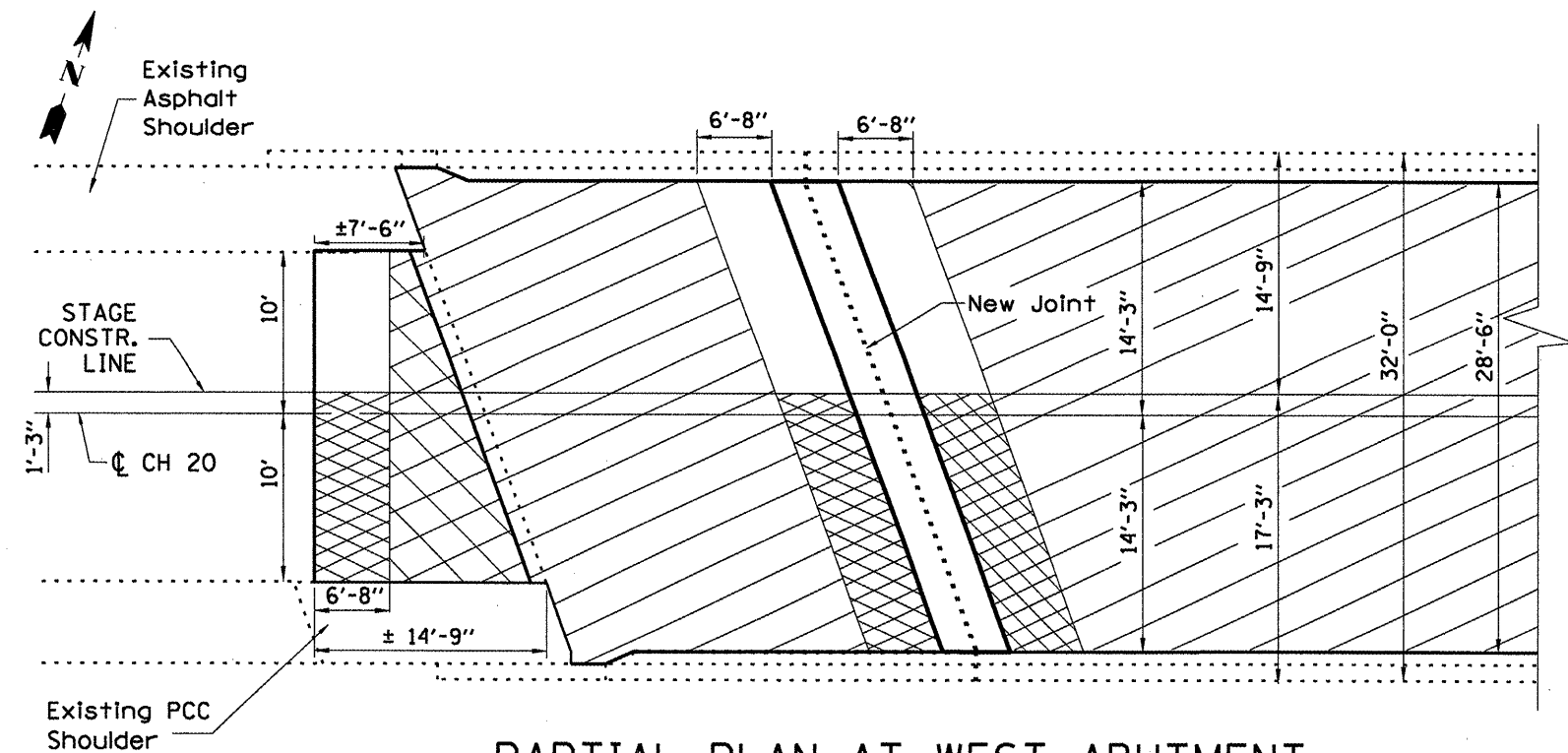


- HOT-MIX ASPHALT SURFACE REMOVAL
HOT-MIX ASPHALT SURFACE COURSE, MIX "C", N90
BITUMINOUS MATERIALS, PRIME COAT
AGGREGATE (PRIME COAT)
- HOT-MIX ASPHALT SURFACE REMOVAL
HOT-MIX ASPHALT SURFACE COURSE, MIX "C", N90
WATERPROOFING MEMBRANE SYSTEM

PLAN SHOWING WEARING SURFACE

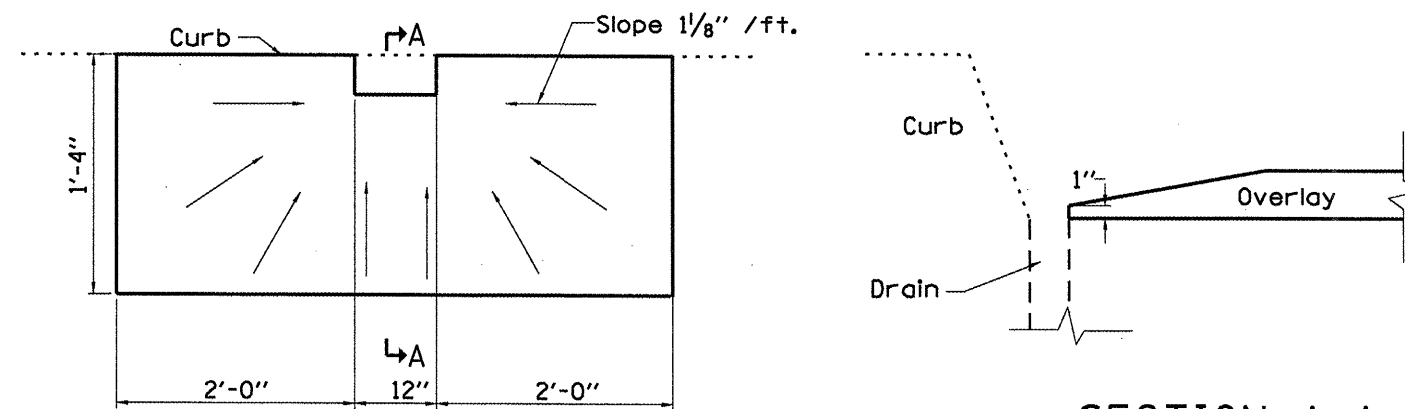


WATERPROOFING TREATMENT
AT STAGE CONSTRUCTION



PARTIAL PLAN AT WEST ABUTMENT
(SHOWING TEMPORARY RAMPS)
EAST ABUTMENT SIMILAR BY 180° ROTATION

- TEMPORARY RAMP



OVERLAY TREATMENT AT
DECK DRAIN LOCATION

SECTION A-A