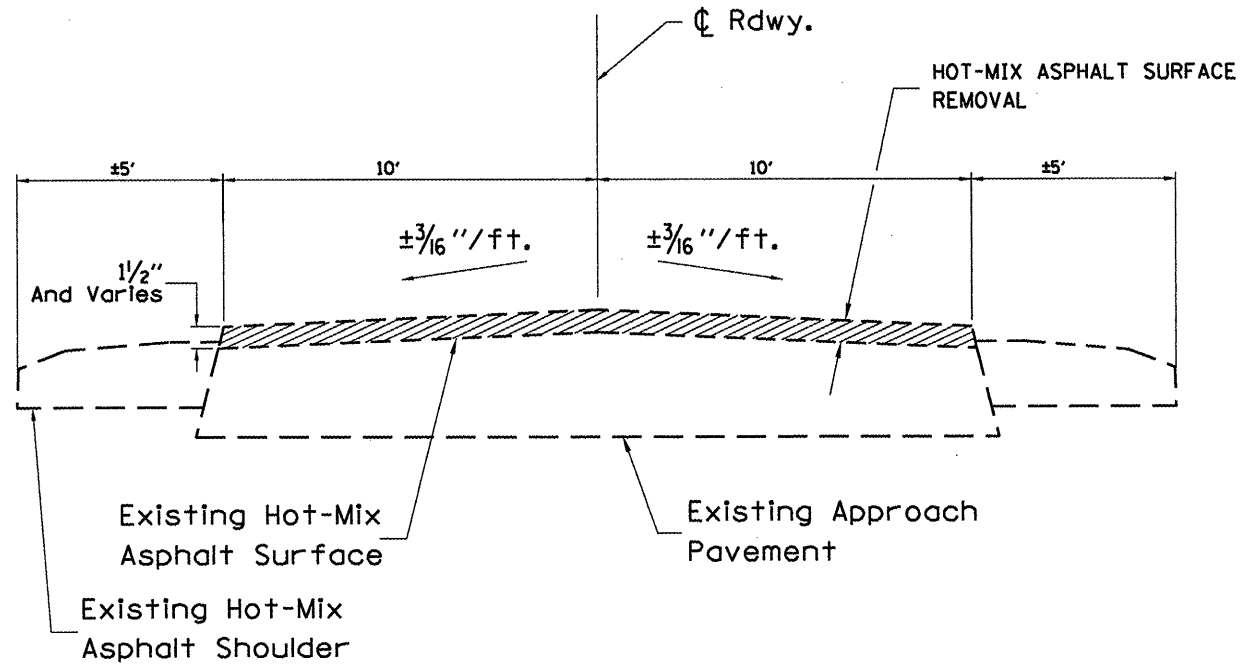
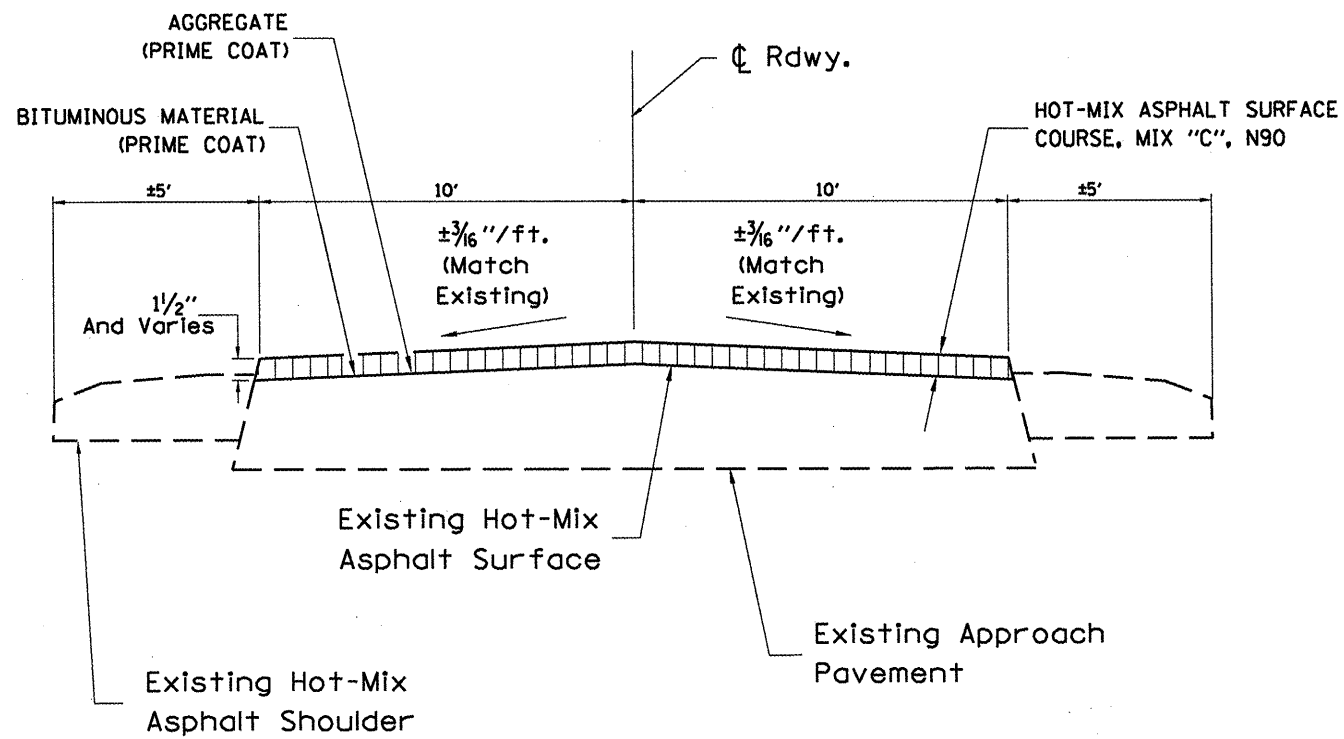


STATE OF ILLINOIS
DEPARTMENT OF TRANSPORTATION

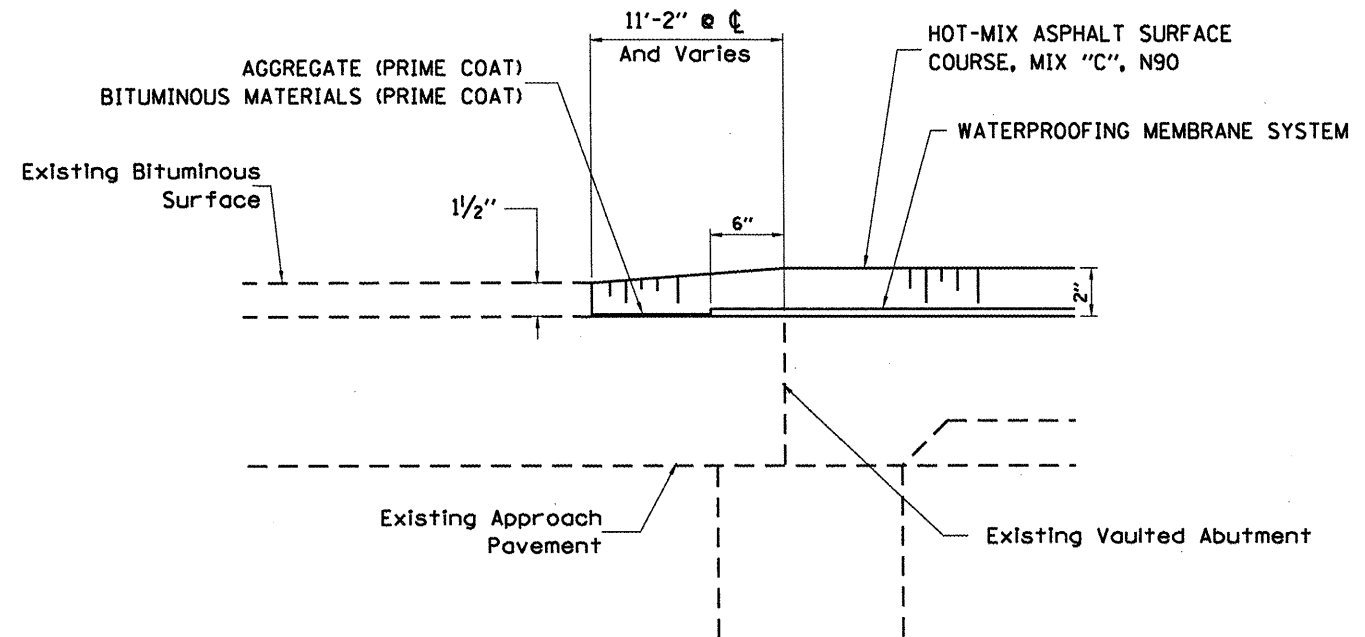
F.A.S. RTE.	SECTION	COUNTY	TOTAL SHEETS	SHEET NO.
815	D9 CM BRIDGE REPAIR FY 09-1	WHITE	16	12
FED. ROAD DIST. NO. 7	ILLINOIS	CONTRACT NO. 78094		



APPROACH PAVEMENT
EXISTING SURFACE



APPROACH PAVEMENT
PROPOSED SURFACE



SECTION THRU ABUTMENT