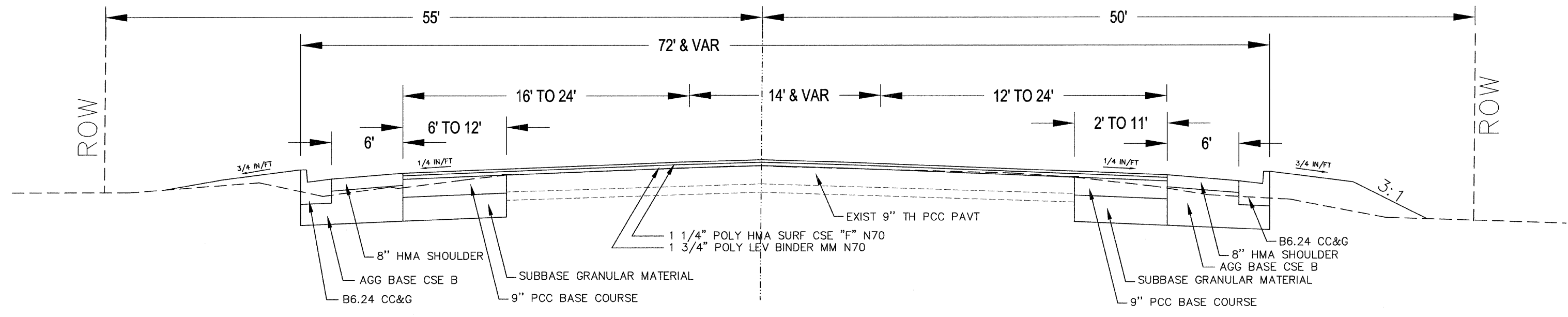


SECTION 05-00378-00-SP
 COUNTY HIGHWAY 28 (AUBURN RD)
 STA. 169+85.76 RT TO STA. 170+63 RT
 STA. 169+85.76 LT TO STA. 171+40 LT



SECTION 05-00378-00-SP
 COUNTY HIGHWAY 28 (AUBURN RD)
 STA. 170+63 RT TO STA. 174+63 RT
 STA. 171+40 LT TO STA. 173+52 LT