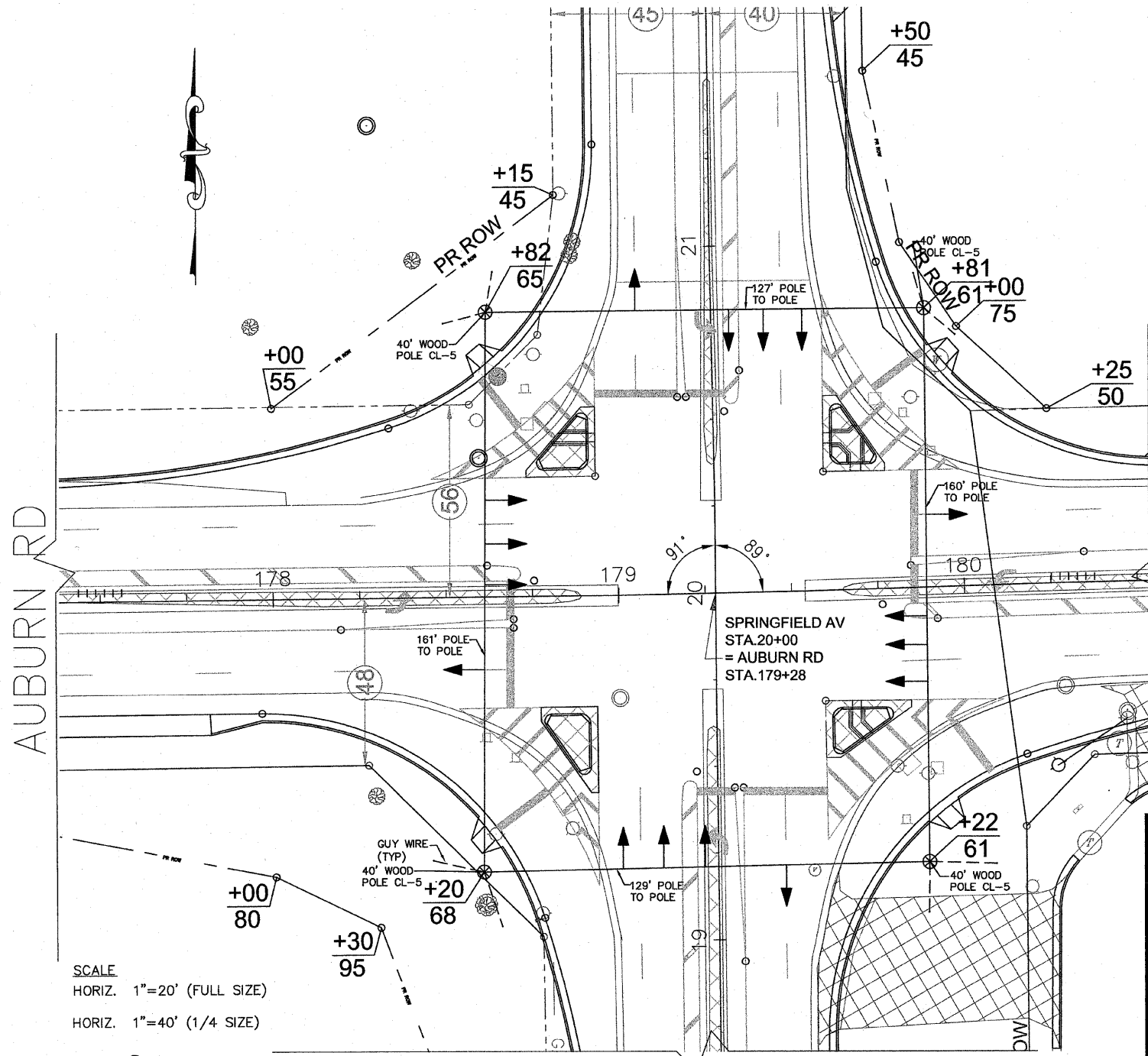
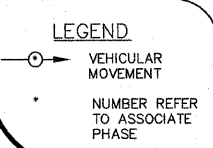
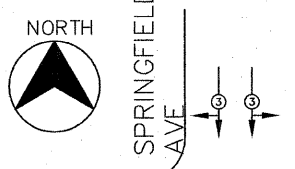


SPRINGFIELD AVE/AUBURN RD INTERSECTION TEMPORARY TRAFFIC SIGNAL PLAN

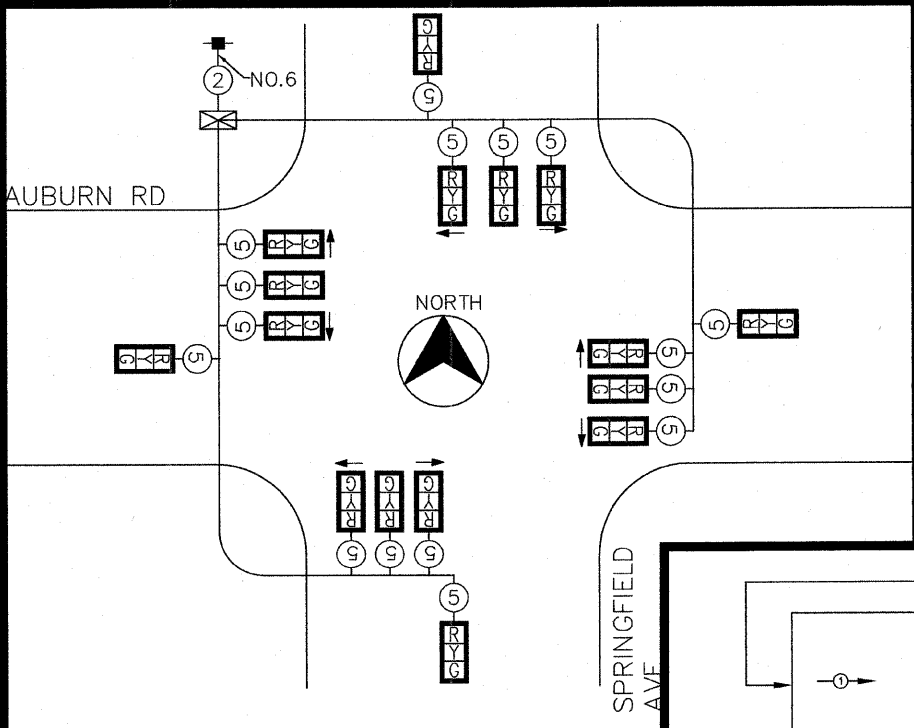


SCALE
HORIZ. 1"=20' (FULL SIZE)
HORIZ. 1"=40' (1/4 SIZE)



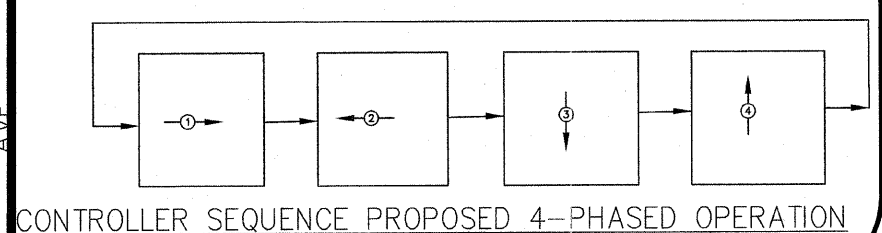
NOTES FOR TEMPORARY TRAFFIC SIGNALS

1. THE CONTRACTOR WILL SUPPLY AND INSTALL ALL TEMPORARY TRAFFIC SIGNAL EQUIPMENT. ALL LABOR AND MATERIAL REQUIRED TO COMPLY WITH THESE REQUIREMENTS SHALL BE CONSIDERED INCIDENTAL TO THE BID PRICE OF TEMPORARY TRAFFIC SIGNAL INSTALLATION. THE CONTRACTOR WILL BE RESPONSIBLE FOR THE COORDINATION OF THE ELECTRICAL SERVICE TO THE TEMPORARY SIGNALS WITH COMED AND WILL PROVIDE THE ELECTRICAL CABLE NECESSARY TO FEED THE CONTROLLER.
2. ALL CONTROLLERS USED FOR THE TEMPORARY TRAFFIC SIGNAL INSTALLATION SHALL MEET OR EXCEED THE REQUIREMENTS OF SECTION 857 OF THE "STANDARD SPECIFICATIONS FOR THE ROAD AND BRIDGE CONSTRUCTION" WITH REGARDS TO INTERNAL TIME BASE COORDINATION AND PREEMPTION. THIS TEMPORARY CONTROLLER SHALL BE A FULLY ACTUATED NEMA MICROPROCESSOR WITH INDIVIDUAL PHASE LENGTH SETTING UP TO 99 SECONDS. THE CONTROLLER SHALL BE PROGRAMMED AS DIRECTED BY THE CITY OF ROCKFORD. THE TEMPORARY TRAFFIC CONTROLLER SHALL REMAIN IN OPERATION DURING ALL SIGNAL HEAD RELOCATIONS.
3. ALL TRAFFIC SIGNAL SECTIONS SHALL BE 12 INCHES. EACH TRAFFIC SIGNAL HEAD SHALL HAVE ITS OWN CABLE FROM THE CONTROLLER CABINET TO THE SIGNAL HEAD. THE CONTRACTOR SHALL FURNISH ENOUGH CABLE SLACK TO RELOCATE THE HEADS TO ANY POSITION ON THE SPAN WIRE. THE TEMPORARY TRAFFIC SIGNALS AND POLES SHALL BE RELOCATED AS REQUIRED TO THE APPROPRIATE LOCATIONS PER THE CONTRACTOR'S STAGED CONSTRUCTION PLAN.
4. THE INSTALLATION OF THE POLES SHALL CONFORM WITH SECTION 830 OF THE ILLINOIS DEPARTMENT OF TRANSPORTATION "STANDARD SPECIFICATIONS FOR THE ROAD AND BRIDGE CONSTRUCTION".
5. ALL EXISTING TRAFFIC SIGNAL EQUIPMENT TO BE REMOVED WILL REMAIN THE PROPERTY OF THE WINNEBAGO COUNTY HIGHWAY DEPARTMENT.
6. ALL EXISTING STREET NAME AND INTERSECTION REGULATORY SIGNS SHALL BE REMOVED FROM EXISTING POLES, RELOCATED AND SECURELY FASTENED TO THE SIGNAL SPAN WIRE.



TEMPORARY CABLE PLAN
NO SCALE

TEMPORARY TRAFFIC SIGNAL LEGEND	
TEMPORARY CONTROLLER CABINET	☒
TEMPORARY WOOD POLE	⊗
TEMPORARY TRAFFIC SIGNAL HEAD SPAN WIRE MOUNTED	→
TEMPORARY SPAN WIRE, TETHER WIRE, AND CABLE	—
GUY WIRE	- - -
SIGNAL HEAD WITH BACKPLATE (12" LENSES)	⊠
CABLE WITH NO. OF CONDUCTORS	⑤
SERVICE INSTALLATION	■



CONTROLLER SEQUENCE PROPOSED 4-PHASED OPERATION