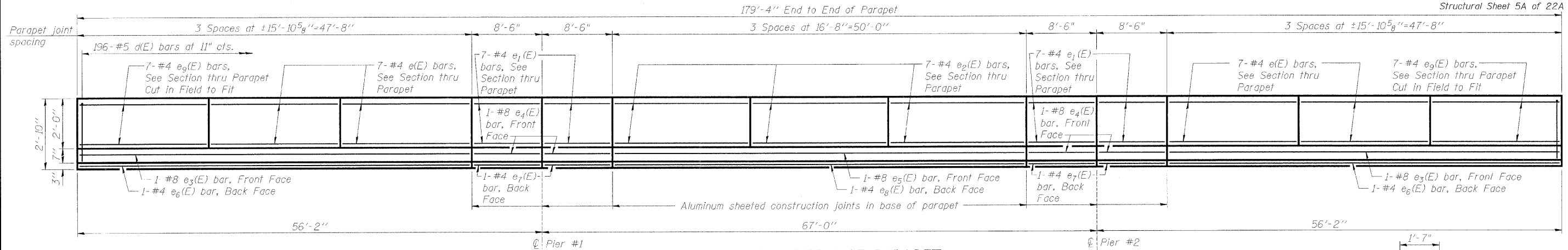
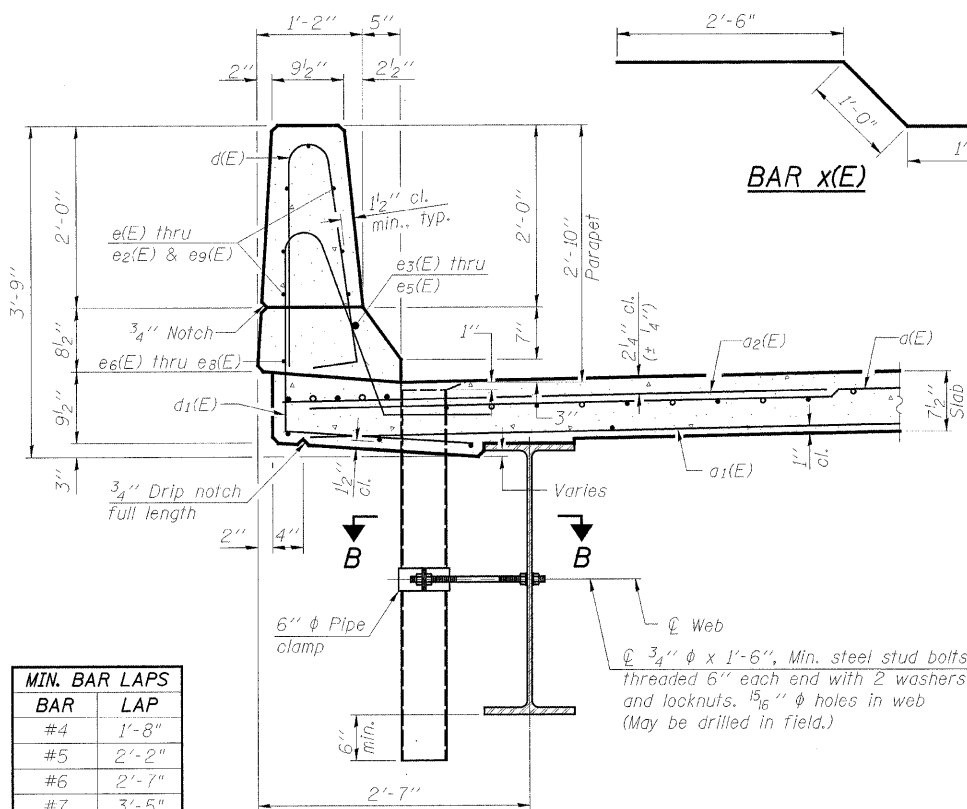


PROJECT	SECTION	COUNTY	SHEET	TOTAL SHEETS
5154	04-00343-00-BR	WINNEBAGO	92	29
FED. ROAD DIST. NO. 7	ILLINOIS	FED. AID PROJECT-BRM-5099(75)		

Structural Sheet 5A of 22A

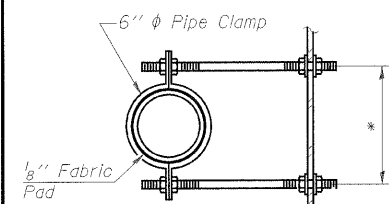


**INSIDE ELEVATION OF PARAPET**



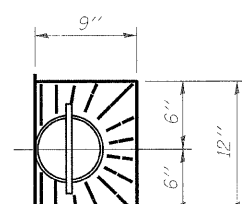
**SECTION THRU PARAPET**

BAR	LAP
#4	1'-8"
#5	2'-2"
#6	2'-7"
#7	3'-5"
#8	4'-6"

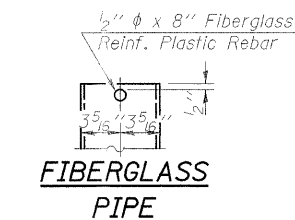


**SECTION B-B**

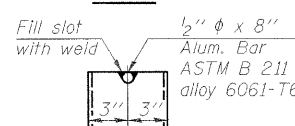
\* Dimension as required by Pipe Clamp



**TOP PLAN**

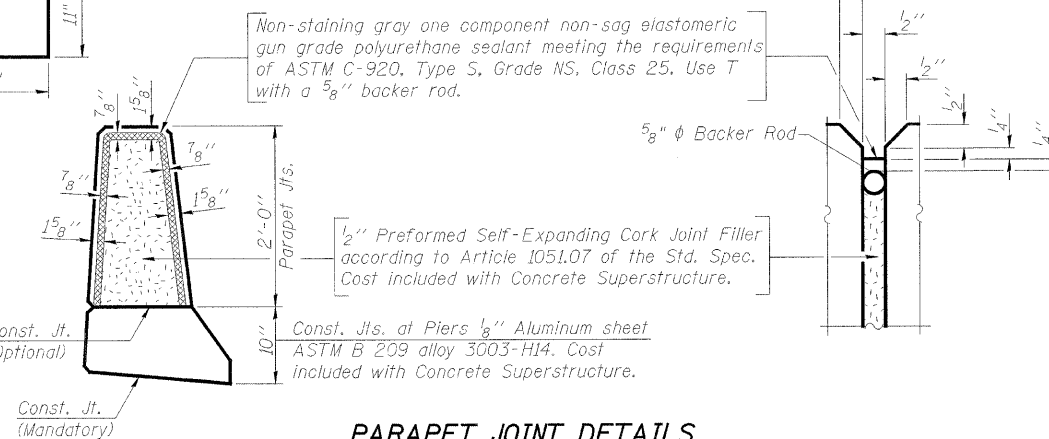


**FIBERGLASS PIPE**



**ALUMINUM TUBE**

(Showing Aluminum Tube)



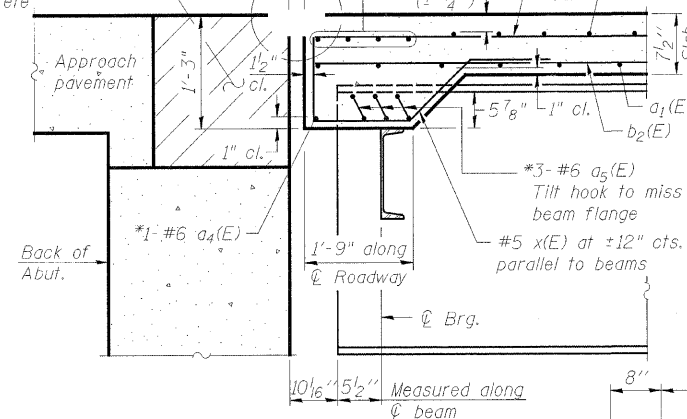
**PARAPET JOINT DETAILS**

Notes:

The exterior surfaces of the floor drains shall be painted with the finish coat as specified in the special provisions for Cleaning and Painting New Metal Structures. The exterior surfaces of the drains shall be cleaned according to Steel Structures Painting Council's Spec. SSPC-SP1 prior to painting. Fiberglass pipe shall conform to ASTM D 2996, with short-time rupture strength hoop tensile stress of 30,000 p.s.i. minimum.

For details of expansion joint, See Structural Sheet 6A of 22A.

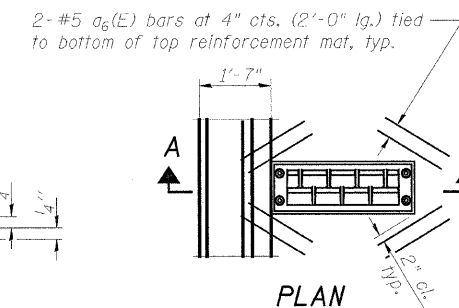
Hatched area to be poured after superstructure forms have been removed. Quantity of concrete included with Concrete Superstructure.



**SECTION A-A**

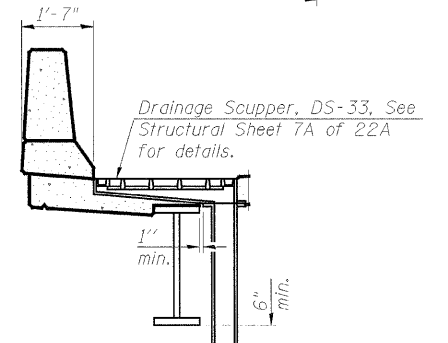
Notes:

\* a3(E), a4(E) and a5(E) bars placed along skew



**PLAN**

Notes: Cut longitudinal reinforcement to clear drainage scuppers.



**SECTION A-A**

**SUPERSTRUCTURE BILL OF MATERIAL**

Bar	No.	Size	Length	Shape
a(E)	287	#5	34'-5"	
a1(E)	216	#5	33'-10"	
a2(E)	288	#6	6'-0"	
a3(E)	8	#7	43'-9"	
a4(E)	2	#6	37'-5"	
a5(E)	30	#6	6'-11"	
a6(E)	16	#5	2'-0"	
b(E)	152	#5	46'-5"	
b1(E)	70	#6	21'-6"	
b2(E)	155	#5	37'-7"	
d(E)	392	#5	5'-7"	
d1(E)	392	#5	7'-2"	
e(E)	56	#4	15'-7"	
e1(E)	56	#4	8'-3"	
e2(E)	42	#4	16'-5"	
e3(E)	4	#8	47'-5"	
e4(E)	8	#8	8'-3"	
e5(E)	2	#8	49'-8"	
e6(E)	4	#4	48'-7"	
e7(E)	8	#4	8'-2"	
e8(E)	2	#4	49'-8"	
e9(E)	28	#4	16'-2"	
x(E)	50	#5	5'-11"	
Reinforcement Bars, Epoxy Coated		Pound	45,760	
Concrete Superstructure		Cu. Yds.	210.4	

**NOTE:**

Reinforcement bars designated (E) shall be epoxy coated.

**SUPERSTRUCTURE DETAILS  
BELTLINE ROAD OVER ILLINOIS RAILNET  
FAU ROUTE 5154 SECTION 04-00343-00-BR  
WINNEBAGO COUNTY  
STA. 148+18.00 (S.N. 101-0172)**