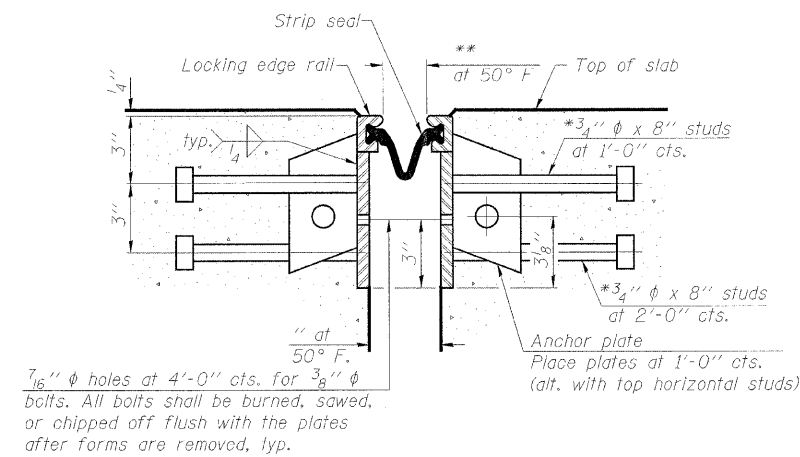
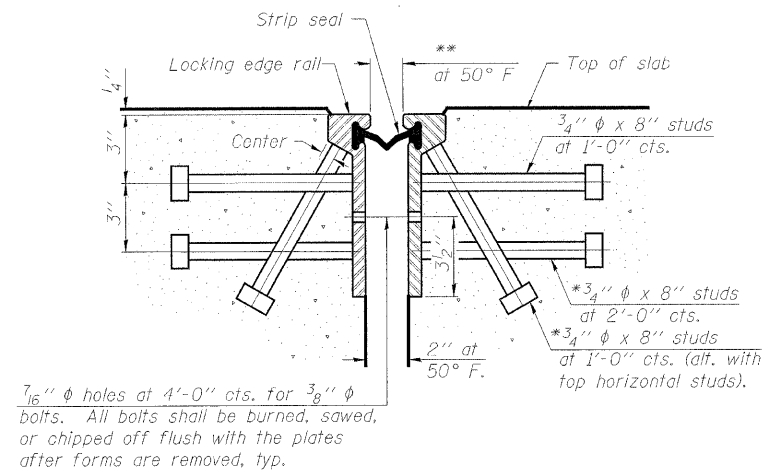


PROJECT	SECTION	COUNTY	SHEET	TOTAL SHEETS
FAU ROUTE 5154	04-00343-00-BR	WINNEBAGO	92	30
FED. ROAD DIST. NO. 7	ILLINOIS	FED. AID PROJECT-BRM-5099(75)		

Structural Sheet 6A of 22A

*Granular or solid flux filled headed studs conforming to Article 1006.32 of the Std. Specs., automatically end welded.
 **When joint is fixed, dimension is set at 1 1/2".



NOTES:

The strip seal shall be made continuous and shall have a minimum thickness of 1/4". The configuration of the strip seal shall match the configuration of the Locking Edge Rails. Open or "webbed" strip seal gland configurations are not permitted. The gland shall be sized for a maximum rated movement of 4 inches.

The height and thickness of the Locking Edge Rails shown are minimum dimensions. The actual configuration of the Locking Edge Rails and matching strip seal may vary from manufacturer to manufacturer. Flanged edge rails will not be allowed. Locking Edge Rails may be spliced at slope discontinuities and stage construction joints.

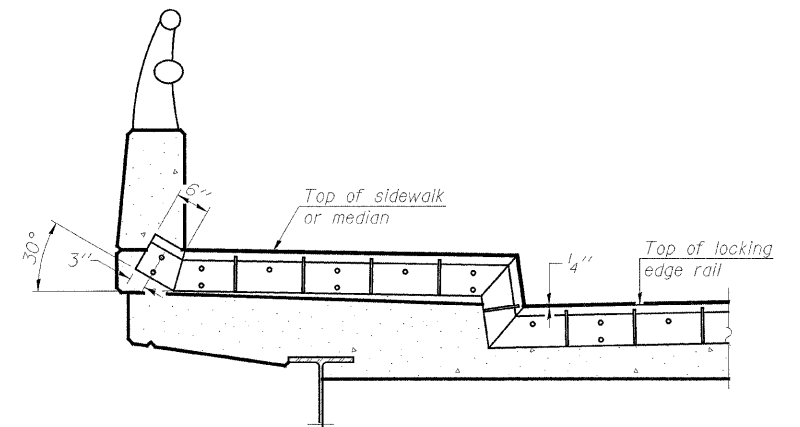
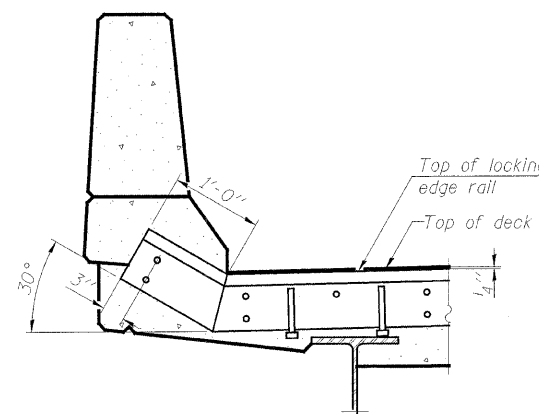
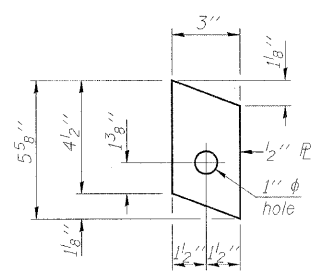
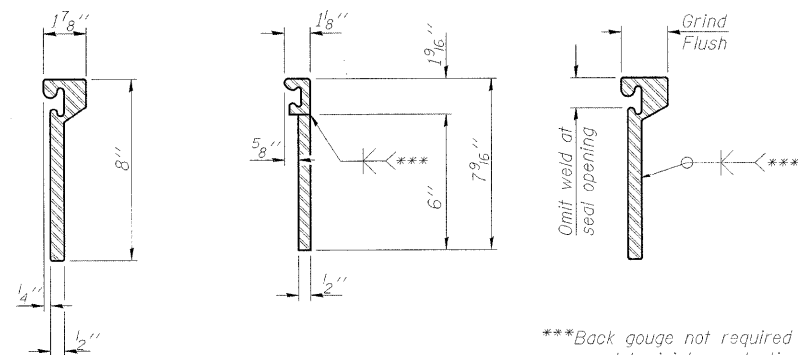
The manufacturer's recommended installation methods shall be followed.

The joint opening and deck dimensions detailed on the superstructure are based on a rolled rail expansion joint. If the Contractor elects to use the welded rail expansion joint, the opening and deck dimensions shall be modified according to the dimensions detailed on this sheet. Required modifications shall be made at no additional cost to the County.

All steel components shall be galvanized after fabrication according to Article 520.03 of the Standard Specifications.

SECTION THRU ROLLED RAIL JOINT

SECTION THRU WELDED RAIL JOINT



AT PARAPET

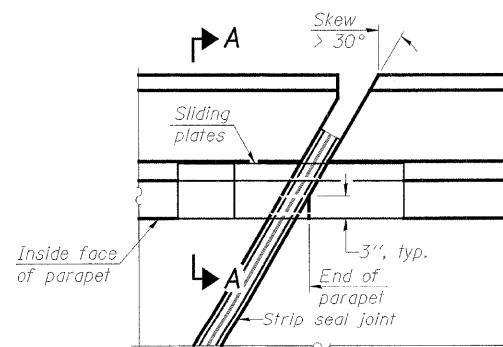
AT SIDEWALK OR MEDIAN

ROLLED (EXTRUDED) RAIL WELDED RAIL

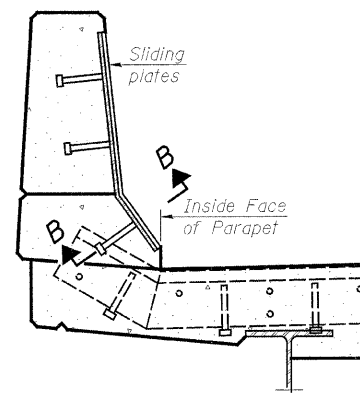
LOCKING EDGE RAIL SPLICE

The inside of the locking edge rail groove shall be free of weld residue.

LOCKING EDGE RAILS

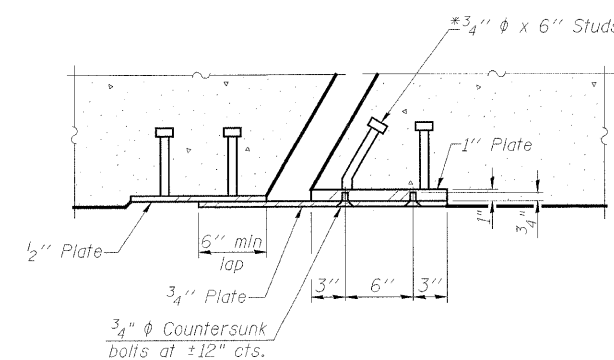


PLAN



SECTION A-A

TYPICAL END TREATMENTS



SECTION B-B

BILL OF MATERIAL

Item	Unit	Total
Preformed Joint Strip Seal	Foot	85.5

**PREFORMED JOINT STRIP SEAL
 BELTLINE ROAD OVER ILLINOIS RAILNET
 FAU ROUTE 5154 SECTION 04-00343-00-BR
 WINNEBAGO COUNTY
 STA. 148+18.00 (S.N. 101-0172)**