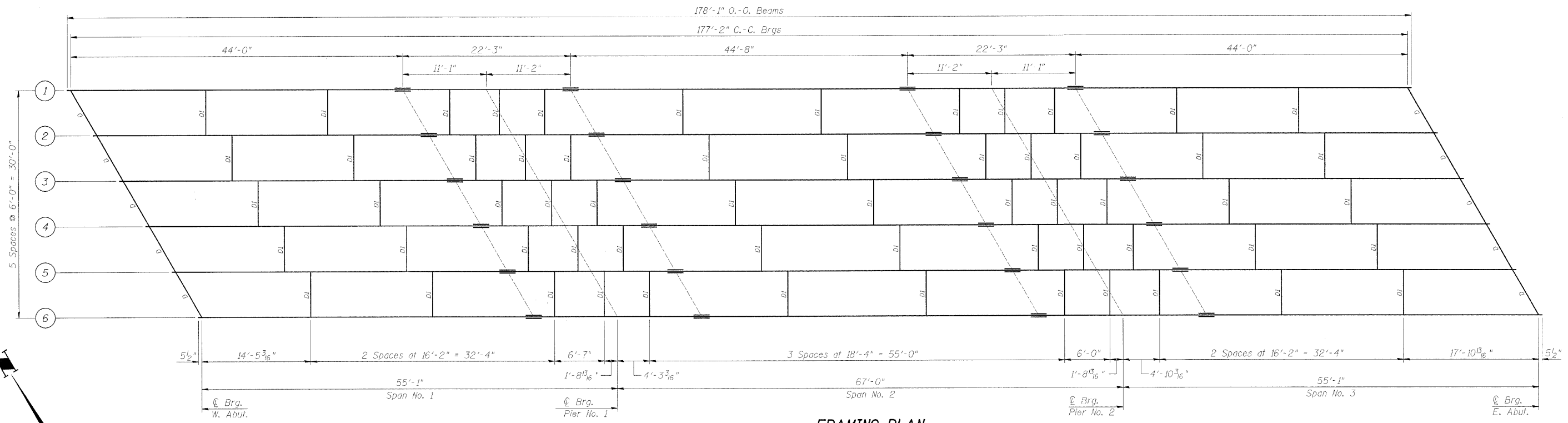
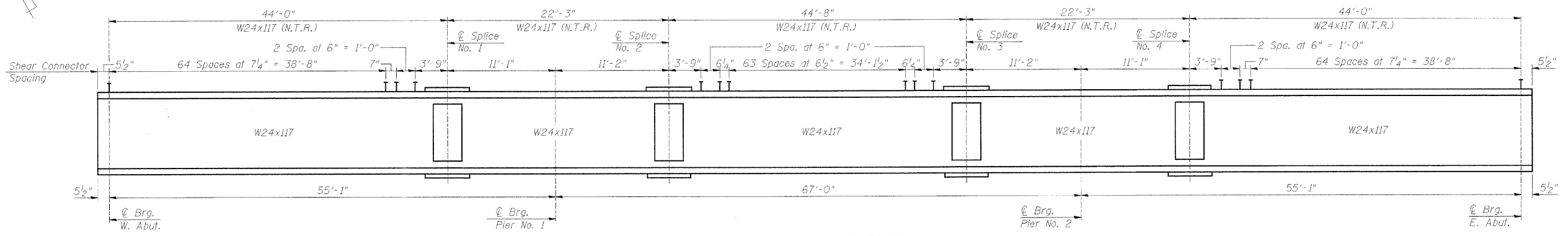


PROJECT	SECTION	COUNTY	SHEETS	SHEET
F.A.U. 5154	04-00343-00-BR	WINNEBAGO	92	32
FED. ROAD DIST. NO. 7	ILLINOIS	FED. AID PROJECT-BRM-5099(75)		

Structural Sheet 8A of 22A



**FRAMING PLAN**



**GIRDER ELEVATION**

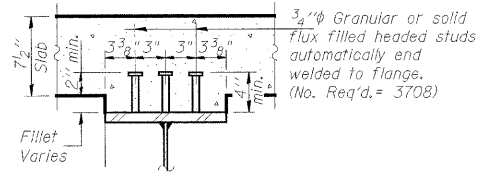
"N.T.R." denotes plates to which notch toughness requirements are applicable.

Note: All Structural Steel Shall Conform To AASHTO M270 Gr. 50

**BILL OF MATERIAL**

Item	Unit	Total
Stud Shear Connectors	Each	3,708
* Furnishing & Erecting Structural Steel	L. Sum	1

\*Includes side retainers for elastomeric bearing assemblies.



**SECTION A-A**

**FRAMING PLAN**  
**BELTLINE ROAD OVER ILLINOIS RAILNET**  
**F.A.U. ROUTE 5154 SECTION 04-00343-00-BR**  
**WINNEBAGO COUNTY**  
**STA. 148+18.00 (S.N. 101-0172)**