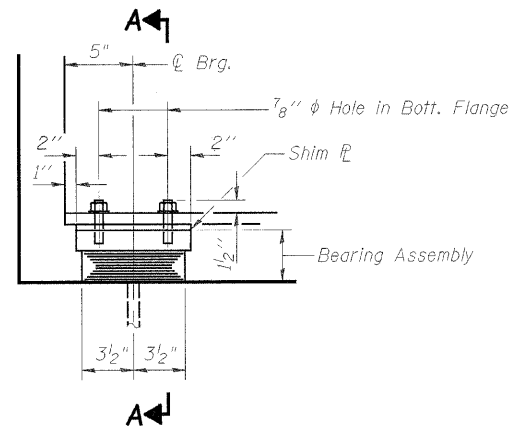
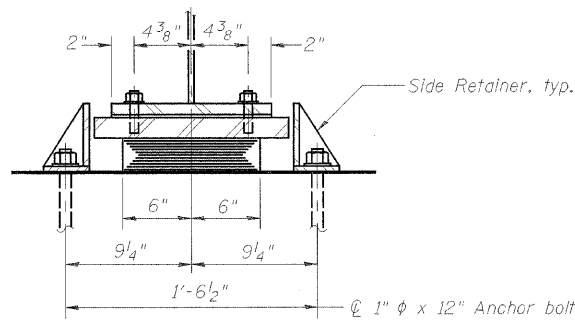


PROJECT NO.	SECTION	COUNTY	SHEET NO.	TOTAL SHEETS
5154	04-00343-00-BR	WINNEBAGO	92	34
FED. ROAD DIST. NO. 7	ILLINOIS	FED. AID PROJECT-BRM-5099(175)		

Structural Sheet 10A of 22A

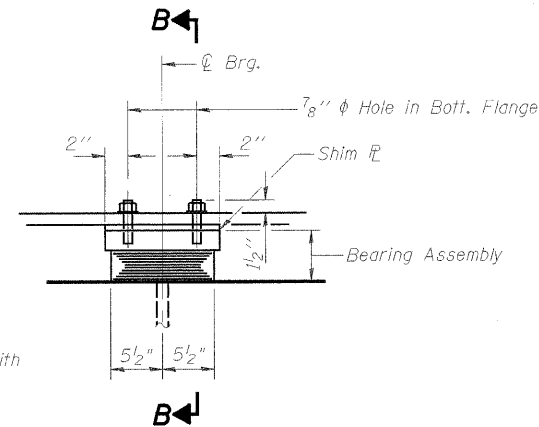


ELEVATION AT WEST ABUT.

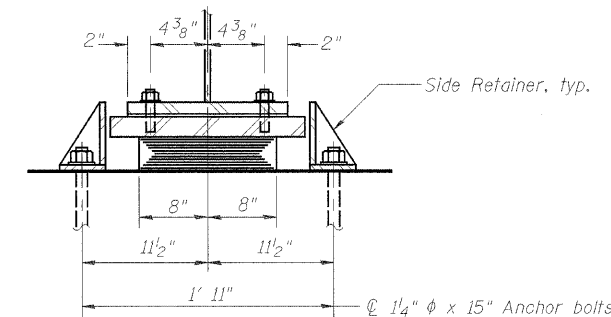


SECTION A-A

1" φ x 12" Anchor bolts (ASTM F1554 Grade 36) with 2 1/4" x 2 1/4" x 5/16" washer under nut



ELEVATION AT PIER NO. 2

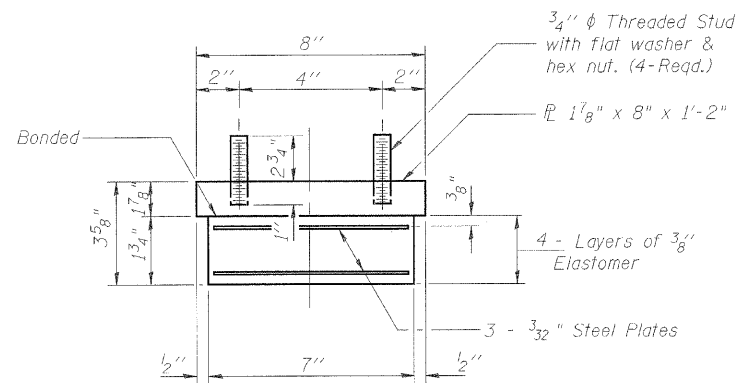


SECTION B-B

1 1/4" φ x 15" Anchor bolts (ASTM F1554 Grade 36) with 2 3/4" x 2 3/4" x 5/16" washer under nut

**TYPE I ELASTOMERIC EXP. BRG.**

**TYPE I ELASTOMERIC EXP. BRG.**



BEARING ASSEMBLY

Note: Shim plates shall not be placed under Bearing Assembly.

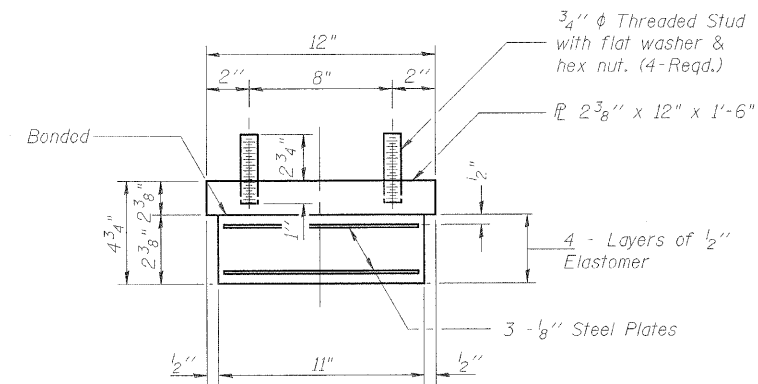
**NOTES:**

Anchor bolts shall be ASTM F1554 all-thread (or an Engineer-approved alternate material) of the grade(s) and diameter(s) specified. ASTM A307 Grade C anchor bolts may be used in lieu of ASTM F1554 Grade 36 (Fy=36ksi). The corresponding specified grade of AASHTO M314 anchor bolts may be used in lieu of ASTM F1554.

Anchor bolts for side retainers may be cast in place or installed in holes drilled before or after members are in place.

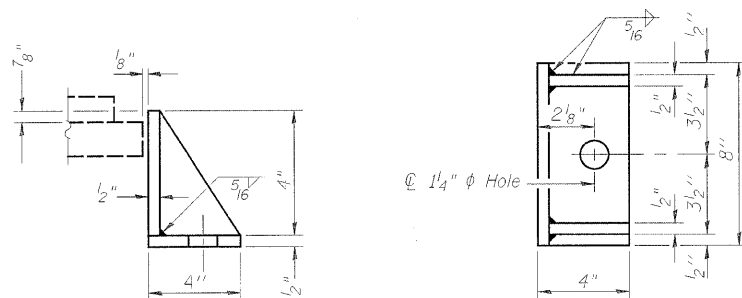
Drilled and set anchor bolts shall be installed according to Article 521.06 of the Standard Specifications.

Side retainers and other steel members required for the bearing assembly shall be included in the cost of Elastomeric Bearing Assembly, Type I.



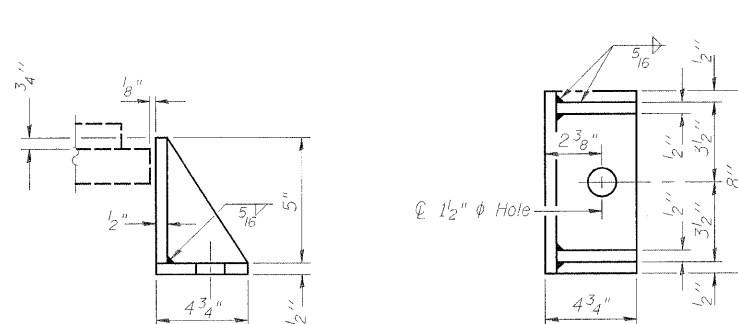
BEARING ASSEMBLY

Note: Shim plates shall not be placed under Bearing Assembly.



SIDE RETAINER (WEST ABUT.)

Equivalent rolled angle with stiffeners will be allowed in lieu of welded plates. Weight included with Structural Steel.



SIDE RETAINER (PIER NO. 2)

Equivalent rolled angle with stiffeners will be allowed in lieu of welded plates. Weight included with Structural Steel.

**BILL OF MATERIAL**

Item	Unit	Total
Elastomeric Bearing Assembly, Type I	Each	12
Anchor Bolts, 1"	Each	12
Anchor Bolts, 1 1/4"	Each	12

**TYPE I ELASTOMERIC BEARINGS  
BELTLINE ROAD OVER ILLINOIS RAILNET  
FAU ROUTE 5154 SECTION 04-00343-00-BR  
WINNEBAGO COUNTY  
STA. 148+18.00 (S.N. 101-0172)**