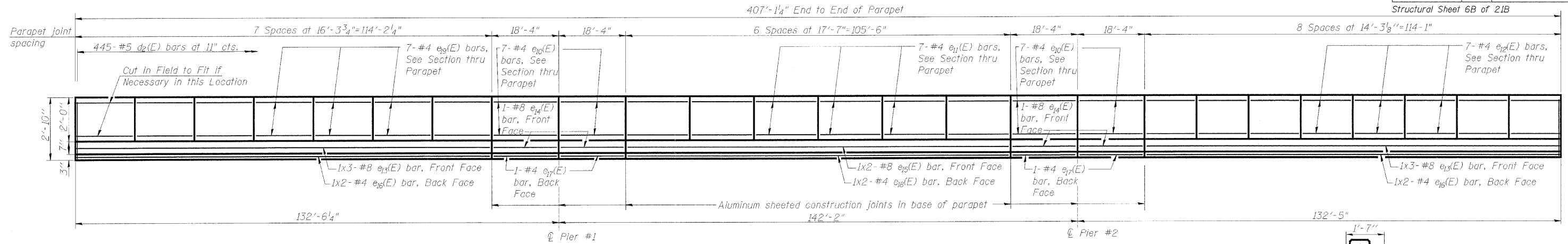
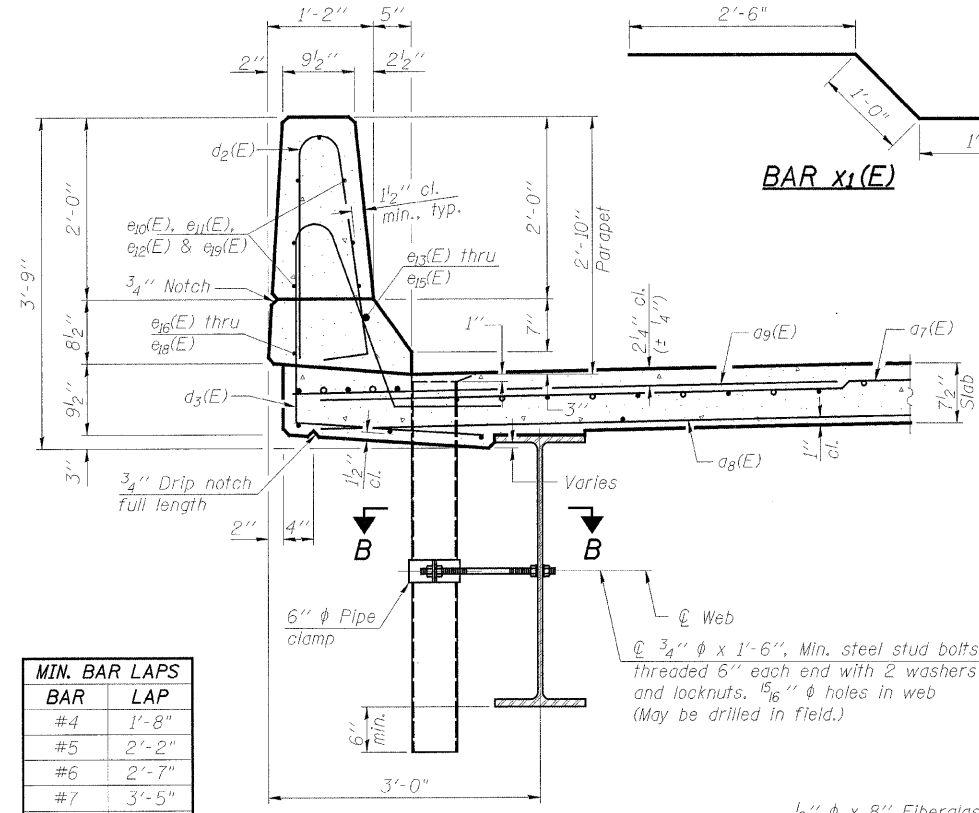


PROJECT NO.	SECTION	COUNTY	SHEET NO.	TOTAL SHEETS
554	04-00343-00-BR	WINNEBAGO	92	52
FED. ROAD DIST. NO. 7	ILLINOIS	FED. AID PROJECT-BRM-5099(75)		

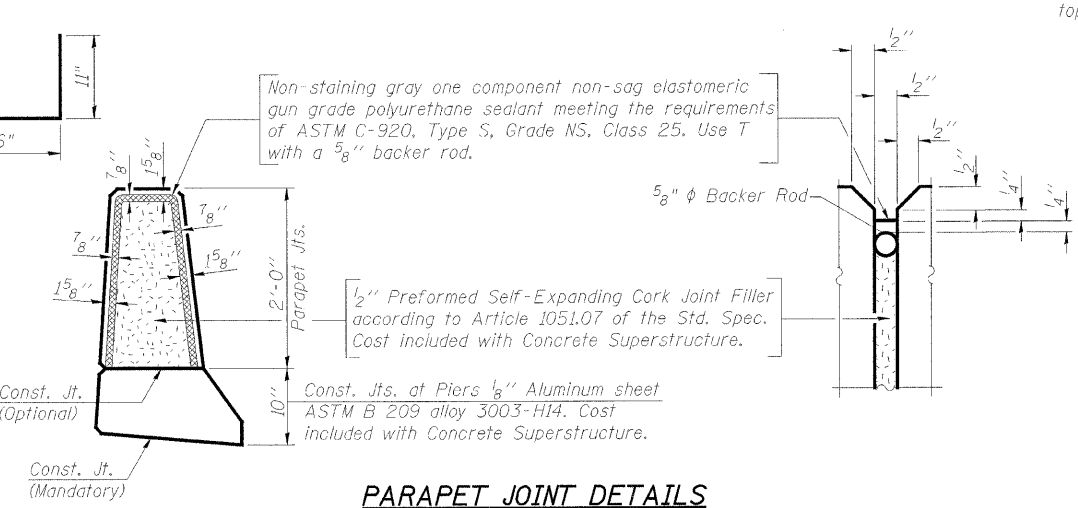


INSIDE ELEVATION OF PARAPET



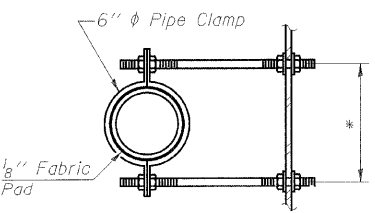
SECTION THRU PARAPET

BAR	LAP
#4	1'-8"
#5	2'-2"
#6	2'-7"
#7	3'-5"
#8	4'-6"



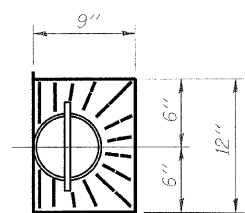
PARAPET JOINT DETAILS

Notes:
 The exterior surfaces of the floor drains shall be painted with the finish coat as specified in the special provisions for Cleaning and Painting New Metal Structures. The exterior surfaces of the drains shall be cleaned according to Steel Structures Painting Council's Spec. SSPC-SP1 prior to painting. Fiberglass pipe shall conform to ASTM D 2996, with short-time rupture strength hoop tensile stress of 30,000 p.s.i. minimum.

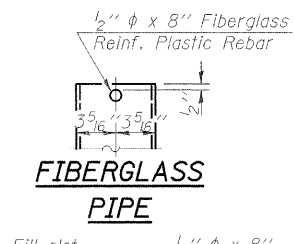


SECTION B-B

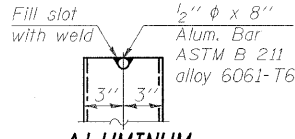
* Dimension as required by Pipe Clamp



TOP PLAN

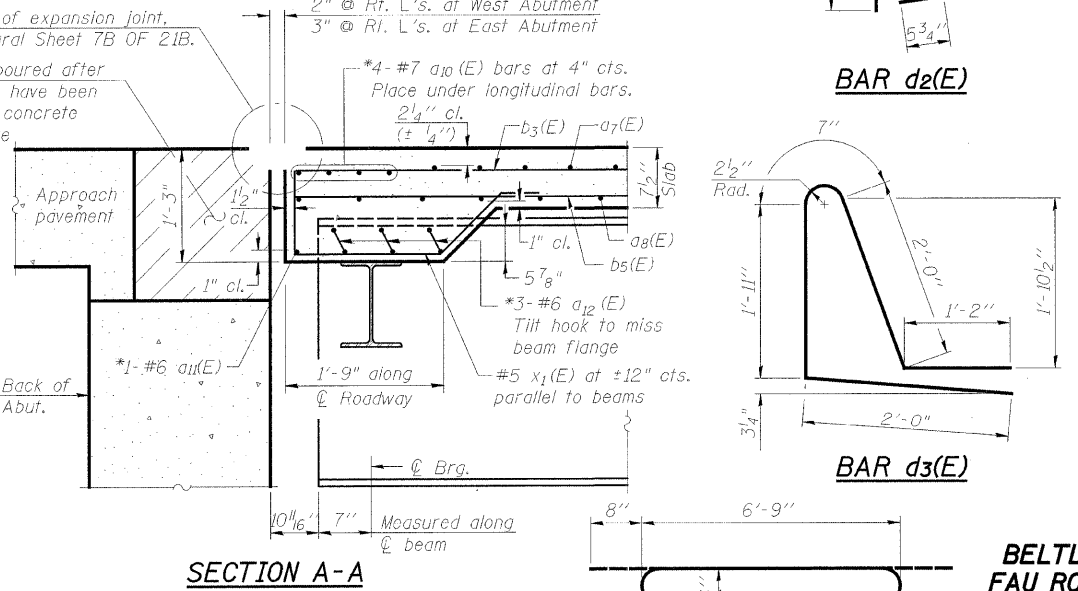


FIBERGLASS PIPE



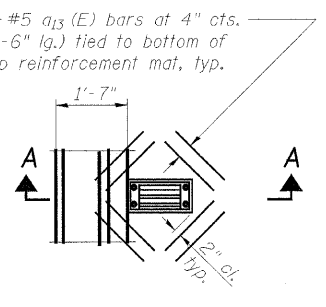
ALUMINUM TUBE

(Showing Aluminum Tube)



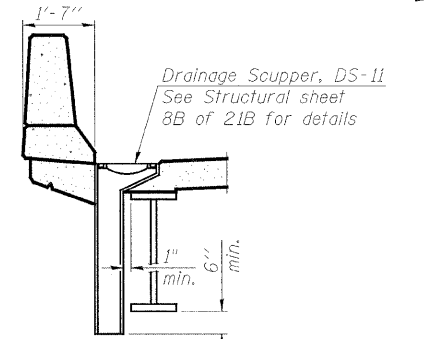
SECTION A-A

Notes:
 *a3(E), a4(E) and a5(E) bars placed along skew



PLAN

Notes:
 Cut longitudinal reinforcement to clear drainage scuppers.



SECTION A-A

SUPERSTRUCTURE BILL OF MATERIAL

Bar	No.	Size	Length	Shape
a7(E)	652	#5	34'-6"	—
a8(E)	489	#5	33'-10"	—
a9(E)	652	#6	6'-0"	—
a10(E)	8	#7	42'-2"	—
a11(E)	2	#6	42'-2"	—
a12(E)	30	#6	8'-1"	—
a13(E)	48	#5	1'-6"	—
b3(E)	418	#5	39'-0"	—
b4(E)	74	#6	46'-0"	—
b5(E)	432	#5	36'-0"	—
d2(E)	890	#5	5'-7"	—
d3(E)	890	#5	7'-8"	—
e10(E)	56	#4	18'-1"	—
e11(E)	84	#4	17'-4"	—
e12(E)	112	#4	14'-0"	—
e13(E)	12	#8	40'-11"	—
e14(E)	8	#8	18'-1"	—
e15(E)	4	#8	54'-11"	—
e16(E)	8	#4	57'-9"	—
e17(E)	8	#4	18'-1"	—
e18(E)	4	#4	53'-6"	—
e19(E)	98	#4	16'-0"	—
x1(E)	50	#5	5'-11"	—
Reinforcement Bars, Epoxy Coated		Pound	105,370	
Concrete Superstructure		Cu. Yd.	463.7	

NOTE:
 Reinforcement bars designated (E) shall be epoxy coated.

**SUPERSTRUCTURE DETAILS
 BELTLINE ROAD OVER KISHWAUKEE RIVER
 FAU ROUTE 5154 SECTION 04-00343-00-BR
 WINNEBAGO COUNTY
 STA. 129+89.00 (S.N. 101-0171)**