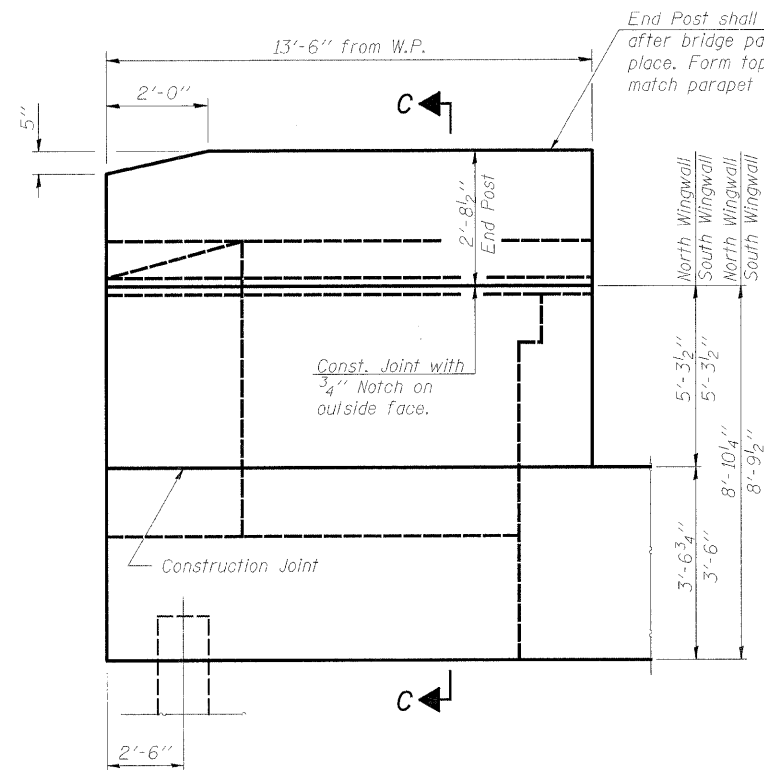
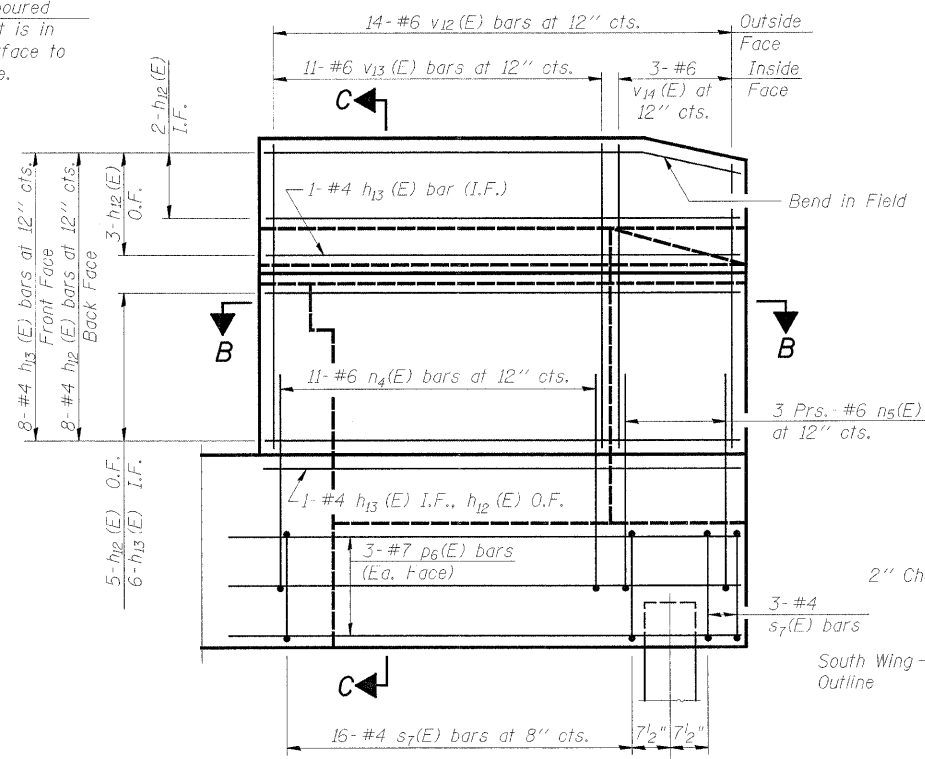


PROJECT	SECTION	COUNTY	SHEETS	SHEET
S.A.S. 5154	04-00343-00-BR	WINNEBAGO	92	62
FED. ROAD DIST. NO. 7	ILLINOIS	FED. AID PROJECT-BRM-5099(75)		

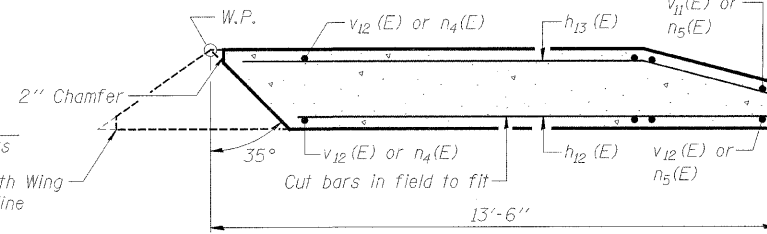
Structural Sheet 16B of 21B



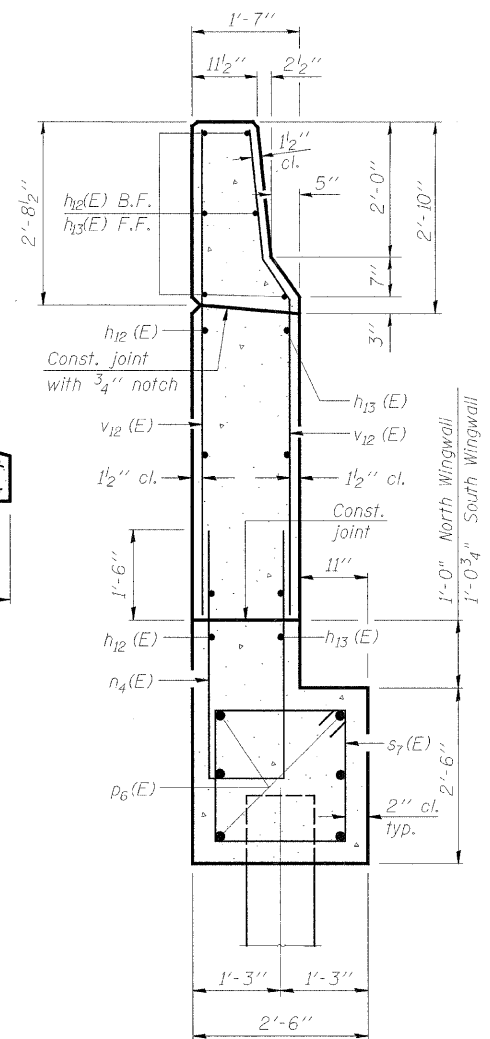
**WING WALL ELEVATION**  
Showing Dimensions



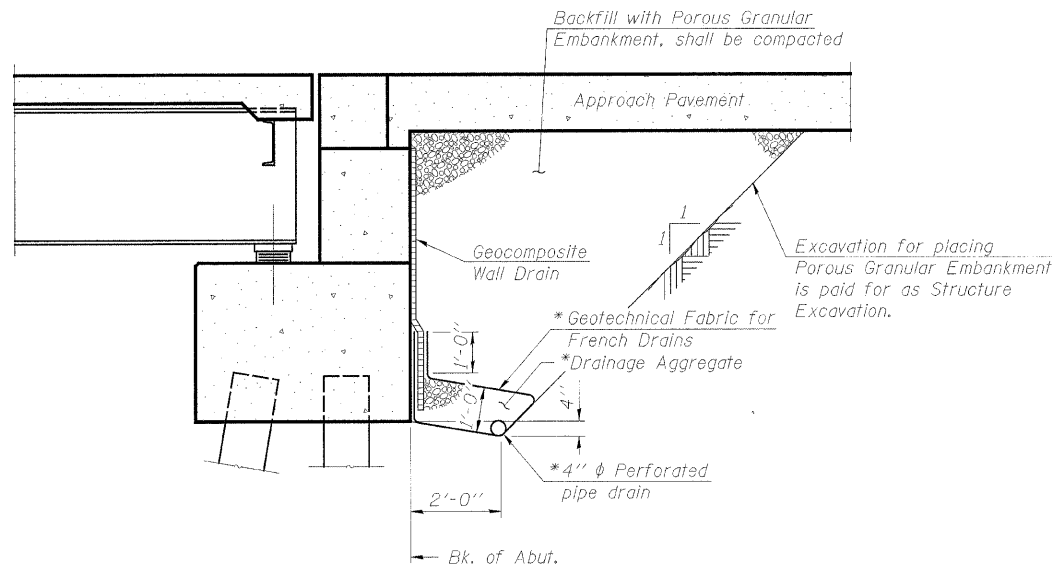
**WING WALL ELEVATION**  
Showing Reinforcement



**SECTION B-B**  
North Wing Shown



**SECTION C-C**

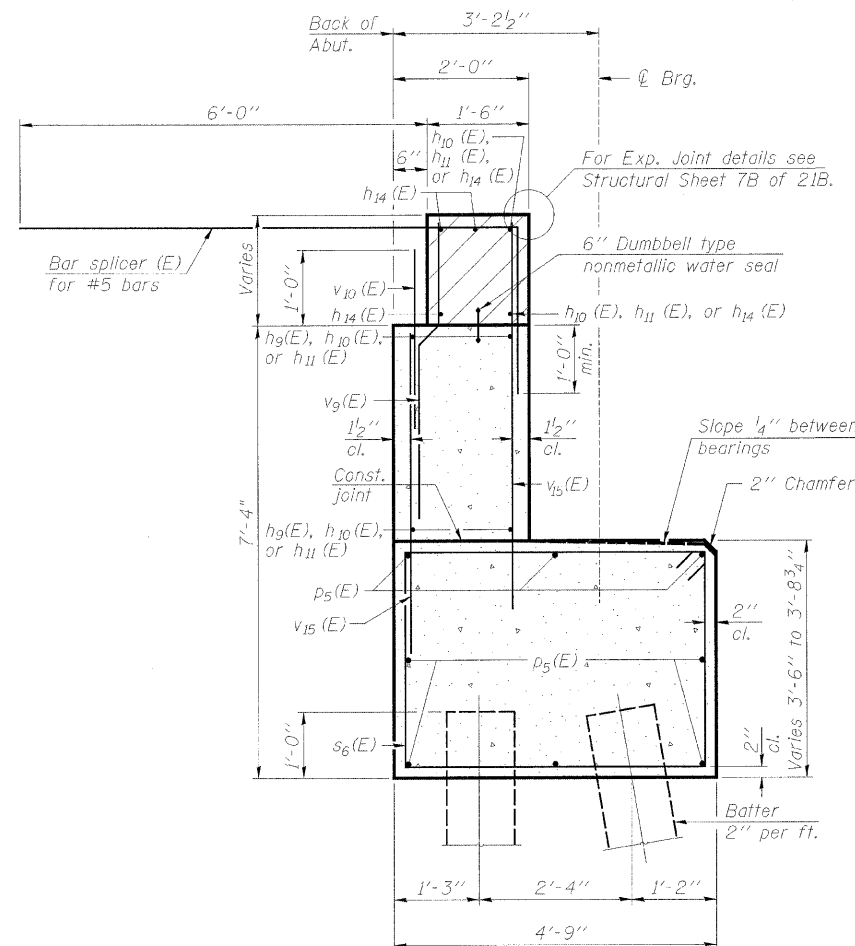


**SECTION THRU PILE SUPPORTED STUB ABUTMENT**  
(Horiz. dim. @ Rt. L's)

\* Included in the cost of Pipe Underdrains for Structures.

Note:

All drainage system components shall extend parallel to the abutment back wall until they intersect the wingwalls or 2'-0" from the end of the wingwalls when the wings are parallel to the abutment. The pipe shall extend under the wingwall, if necessary, until intersecting the side slopes. The pipes shall drain into concrete headwalls. (See Article 601.05 of the Standard Specifications and Highway Standard 60110).



**SECTION THRU ABUT.**

**NOTES:**

Hatched area to be poured after superstructure false work has been removed. Quantity of concrete included with Concrete Superstructure.

Space reinforcement in cap to miss anchor bolts.

Pour steps monolithically with cap.

Quantity of concrete in end post included with Concrete Superstructure on Structural Sheet 6B of 21B.

**EAST ABUTMENT DETAILS**  
BELTLINE ROAD OVER KISHWAUKEE RIVER  
FAU ROUTE 5154 SECTION 04-00343-00-BR  
WINNEBAGO COUNTY  
STA. 129+89.00 (S.N. 101-0171)