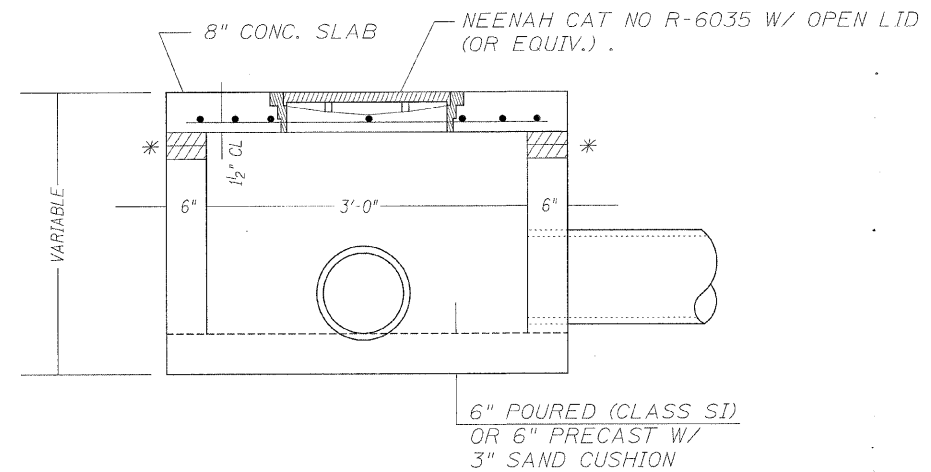
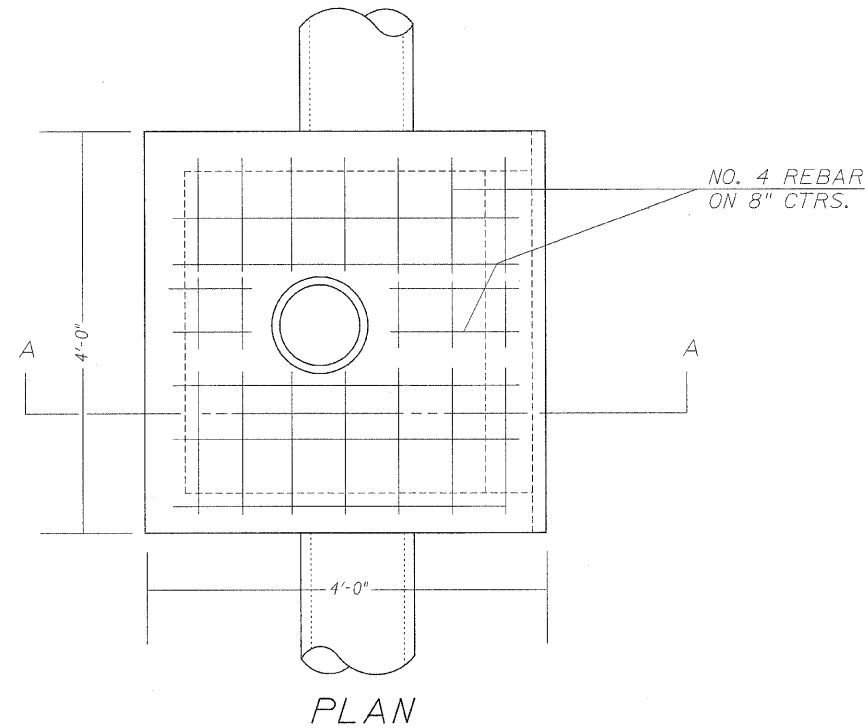


MANHOLE, SPECIAL



NOTES:

THE MANHOLE SHALL BE CAST IN-PLACE OR PRECAST.

EXCEPT AS NOTED HEREON MANHOLE SPECIAL SHALL BE CONSTRUCTED IN ACCORDANCE WITH SECTION 602 OF THE STANDARD SPECIFICATIONS.

THE CONTRACT UNIT PRICE EACH FOR MANHOLE SPECIAL SHALL INCLUDE THE COST OF FURNISHING AND INSTALLING THE FRAME, LID, REINFORCEMENT BARS, FLOOR AND TOP SLABS.

CLASS SI CONCRETE OR PRECAST CONCRETE SHALL BE USED THROUGHOUT.

THE SIDE WALL MAY BE BUILT AS PRECAST SEGMENTAL SECTIONS.

THE HEIGHT OF THE BOX MAY BE CONSTRUCTED 6" SHORT TO ALLOW FOR FIELD ADJUSTMENTS.

* THE WALL ADJUSTMENTS SHALL BE MADE WITH CONCRETE BUILDING BRICK OR CLASS SI CONCRETE.

55-3B

DESIGNED -	---	REVISED -	---
DRAWN -	---	REVISED -	---
CHECKED -	---	REVISED -	---
DATE -	-----	REVISED -	---

F.A. RTE.	SECTION	COUNTY	TOTAL SHEETS	SHEET NO.
	06-00141-00-RS	WHITESIDE	16	16
FED. ROAD DIST. NO. - [ILLINOIS] FED. AID PROJECT			CONTRACT NO. _____	