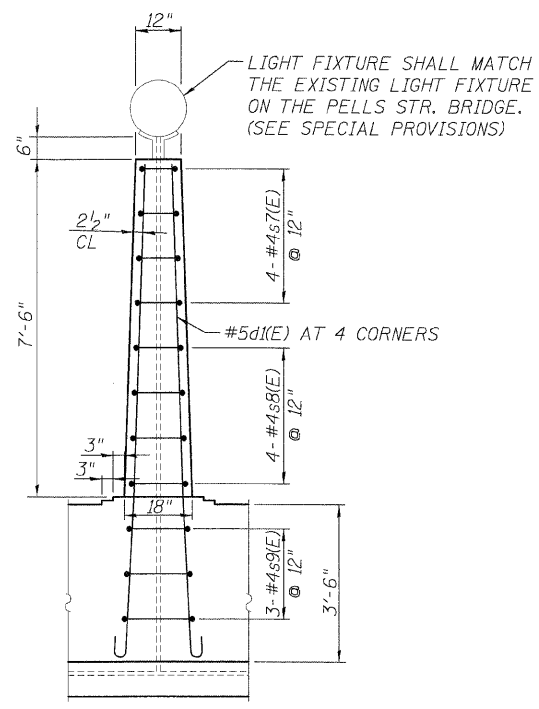


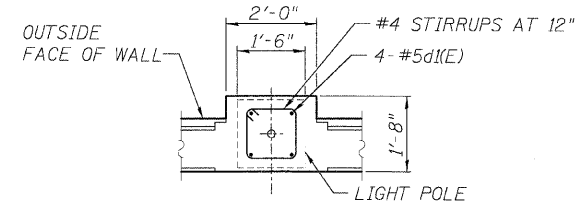
6/20/2008 1:59:43 PM

F.P. RTE.	SECTION	COUNTY	TOTAL SHEETS	SHEET NO.
•	00-00043-00-BR	FORD	51	43
FED. ROAD DIST. NO. 3	ILLINOIS	CONTRACT NO. 87198		

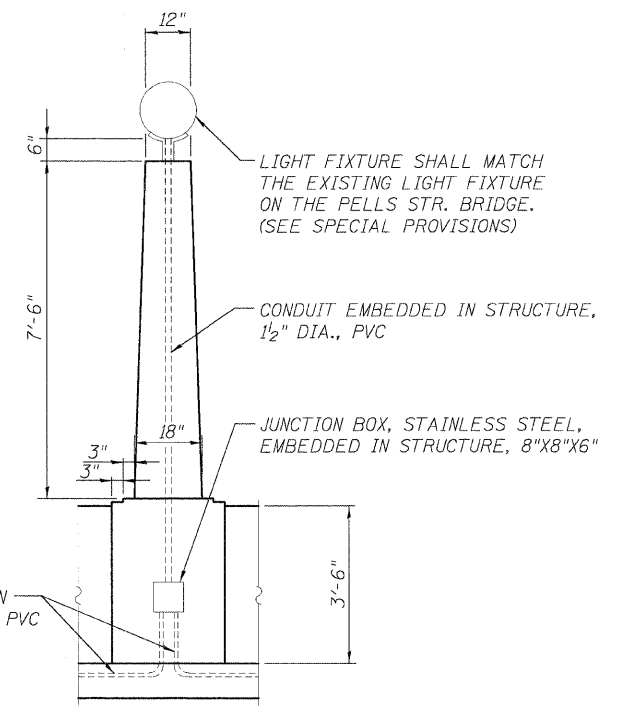
• HOLMES ST.  
• PINE ST.  
• CENTER ST.



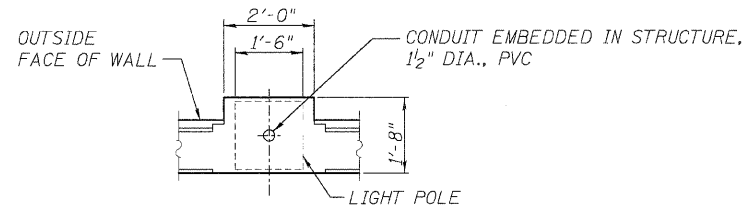
**LIGHT POLE ELEVATION**



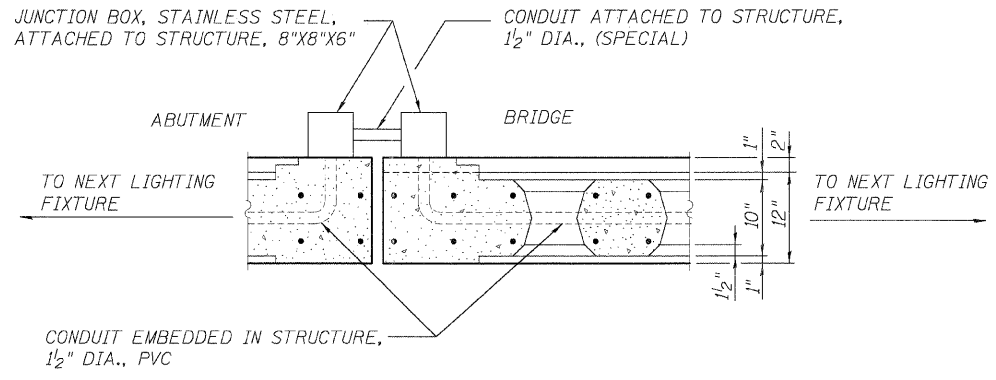
**LIGHT POLE PLAN**



**LIGHT POLE-ELECTRICAL DETAILS ELEVATION**



**LIGHT POLE-ELECTRICAL DETAIL PLAN**



**CONCRETE RAILING JOINT ELECTRICAL DETAIL PLAN**

LIGHTING AND ELECTRICAL DETAILS		
HOLMES STREET OVER ILLINOIS CENTRAL RAILROAD CITY OF PAXTON, FORD COUNTY		
DESIGN BY: DRS	DRAWING NO. S-10	Job# C-93-016-01
DRAWN BY: DJR		DATE 7/1/08
CHECKED BY: BAP		SCALE AS SHOWN

<b>Edwards AND Kelcey</b>	DATE	REVISIONS

P:\00028021\Chicago\_CADD\Sheets\S0\_LightElect.dgn