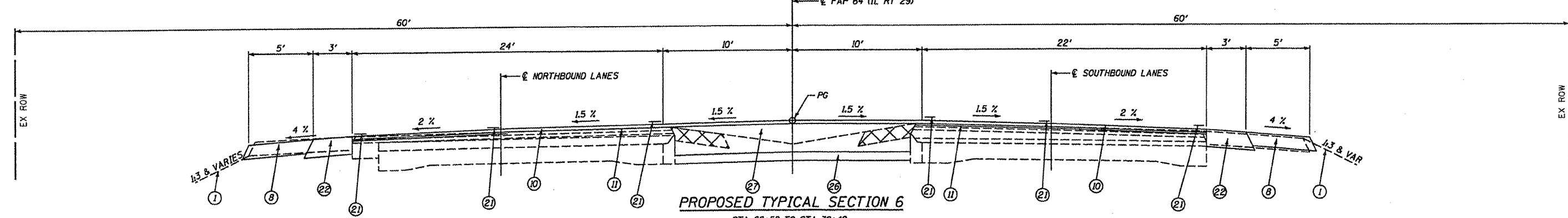
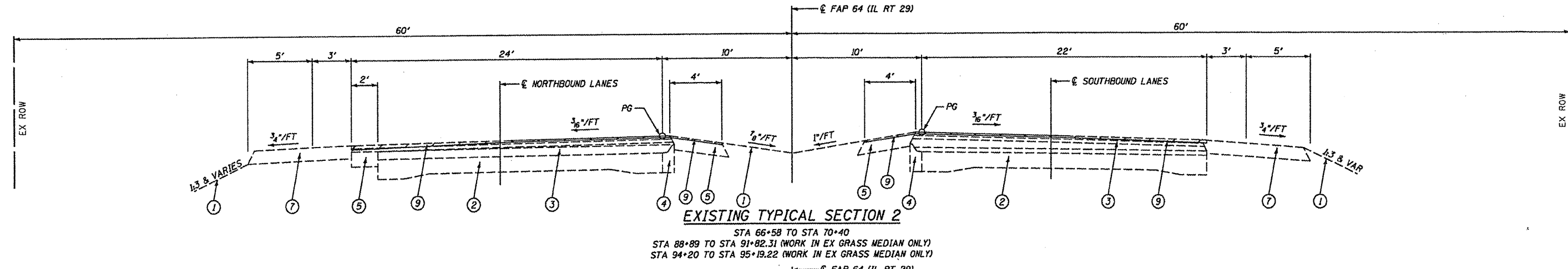
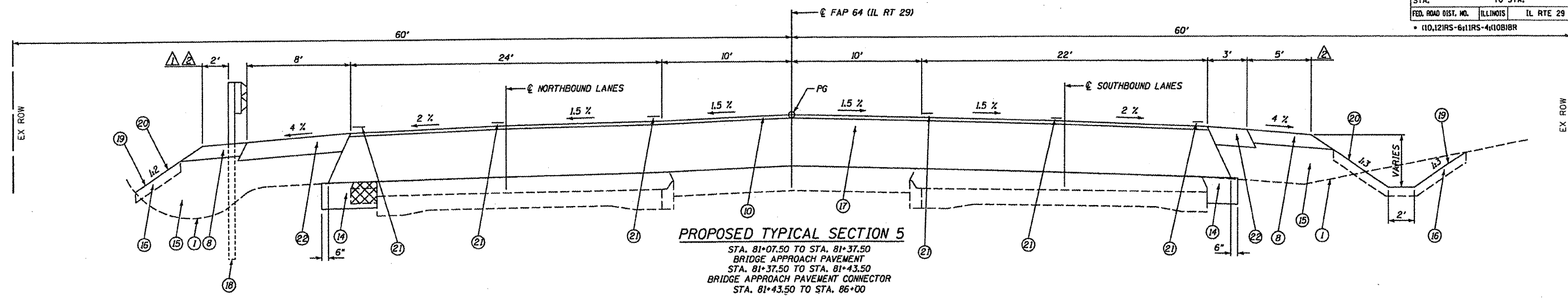


F.A.P. RTE.	SECTION	COUNTY	TOTAL SHEETS	SHEET NO.
64		PEORIA	186	17
STA. TO STA.		FED. ROAD DIST. NO. ILLINOIS IL RTE 29		
• (10,12)RS-6(1)RS-4(1)OB1BR				



**LEGEND**

- |                                                        |                                                                     |                                                                                                                                    |                                                 |
|--------------------------------------------------------|---------------------------------------------------------------------|------------------------------------------------------------------------------------------------------------------------------------|-------------------------------------------------|
| ① EX GROUND LINE                                       | ⑨ PR HMA SURFACE REMOVAL (VARIABLE DEPTH)                           | ⑬ PR TOPSOIL FURNISH AND PLACE 4"                                                                                                  | ⑲ PR EARTH EXCAVATION                           |
| ② EX PCC PAVEMENT 7" (9" AT EDGES)                     | ⑩ PR POLYMERIZED HMA SURFACE COURSE, MIX "D", NTO 1 1/2"            | ⑭ PR HMA BINDER COURSE, IL - 19.0, NTO, VAR. DEPTH (1" TO 1.78")                                                                   | ⑳ PR AGGREGATE BASE COURSE, TY A 8"             |
| ③ EX HMA OVERLAYS 7 3/4" TO 9" *                       | ⑪ PR POLYMERIZED LEVELING BINDER (MACHINE METHOD), IL 4.75 N50 3/4" | ⑮ PR HMA SURFACE COURSE, MIX "D", N50 3 1/2"                                                                                       | ㉑ PR HMA SURFACE COURSE, MIX "D", N50 3 1/2"    |
| ④ EX COMBINATION CONCRETE CURB AND GUTTER, TYPE M-4.04 | ⑫ PR COMBINATION CONCRETE CURB & GUTTER, TYPE B-6.24                | ⑯ PR STEEL PLATE BEAM GUARD RAIL, TYPE A OR TRAFFIC BARRIER TERMINAL, TYPE 6 OR TRAFFIC BARRIER TERMINAL, TYPE 1 SPECIAL (TANGENT) | ㉒ PR SUB-BASE GRANULAR MATERIAL, TY A 4"        |
| ⑤ EX HMA SHOULDER 6"                                   | ⑬ PR GUARDRAIL AGGREGATE EROSION CONTROL                            | ⑳ PR SEEDING, CLASS 2A                                                                                                             | ㉓ PR HMA BINDER COURSE, IL - 19.0, N70, 11 3/4" |
| ⑥ EX HMA BASE COURSE 8"                                | ⑭ PR SUB BASE GRANULAR MATERIAL, TYPE A 12"                         | ㉑ PR MULCH, METHOD 2 - USE PROCEDURES 1 & 2 ONLY                                                                                   |                                                 |
| ⑦ EX AGGREGATE SHOULDER 6"                             | ⑮ PR FILL AREA                                                      | ㉒ PR PAVEMENT MARKING                                                                                                              |                                                 |
| ⑧ PR AGGREGATE SHOULDERS, TYPE B 4" (TYP)              |                                                                     | ㉓ PR HMA SHOULDERS 8"                                                                                                              |                                                 |

▲ SHOULDER WIDENING FOR TYPE 1 (SPECIAL) GUARDRAIL TERMINALS  
 LT STA 78+02.60 TO STA 78+64.96  
 RT STA 78+47.10 TO STA 79+09.46  
 LT STA 85+79.54 TO STA 86+41.90  
 ▲ 7'-0" STA. 81+37.50 TO STA. 82+67.32

ILLINOIS DEPARTMENT OF TRANSPORTATION

**TYPICAL SECTIONS  
 IL 29**

**COOMBE-BLOXDORF P.C.**  
 Engineers/Land Surveyors  
 Springfield, Illinois  
 Design Firm License No. 184-002708

REVISIONS	
NAME	DATE

SCALE:  
 DATE AUG. 2008  
 DRAWN BY CFC  
 CHECKED BY MCB/GLS

12/2/2008 #FILE#88803