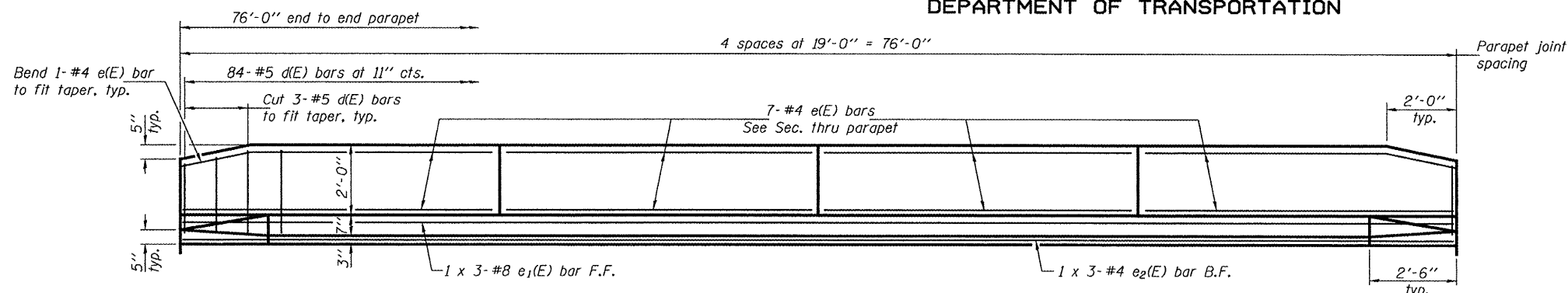


STATE OF ILLINOIS
DEPARTMENT OF TRANSPORTATION

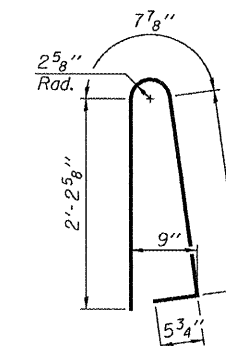
ROUTE NO.	SECTION	COUNTY	SHEET	SHEET NO.
FAP 64	(10B)BR	PEORIA	186	56
ILLINOIS		FED. AID PROJECT		

Contract #88803

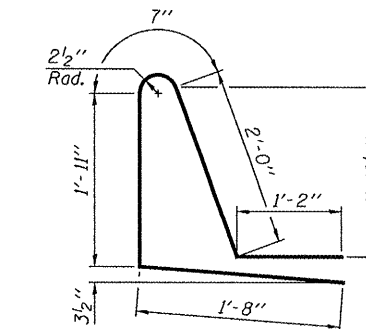
22 SHEETS



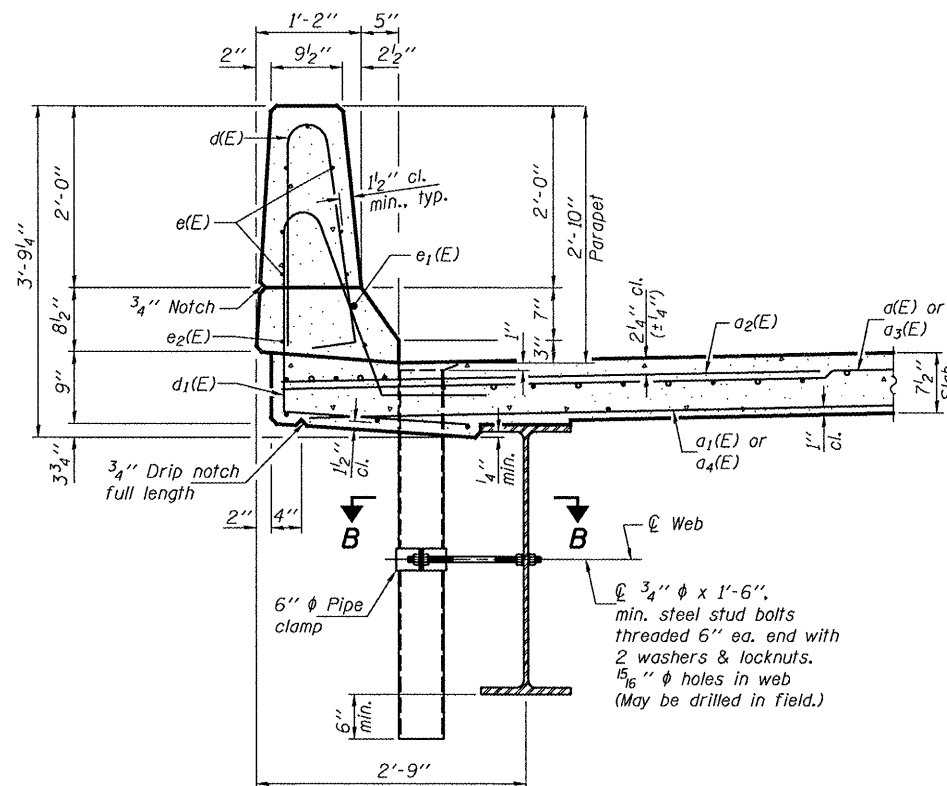
INSIDE ELEVATION OF PARAPET



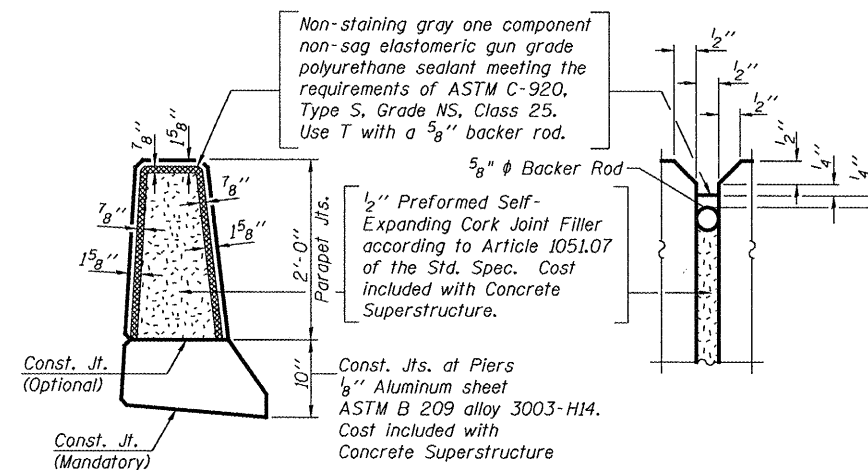
BAR d(E)



BAR d1(E)

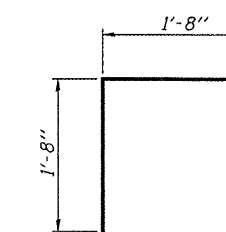


SECTION THRU PARAPET



PARAPET JOINT DETAILS

Notes:
The exterior surfaces of the floor drains shall be painted with the finish coat as specified in the special provisions for Cleaning and Painting New Metal Structures. The exterior surfaces of the drains shall be cleaned according to Society of Protective Coatings Spec. SSPC-SPI prior to painting.
Fiberglass pipe shall conform to ASTM D 2996, with short-time rupture strength hoop tensile stress of 30,000 p.s.i. minimum.



BAR v(E)

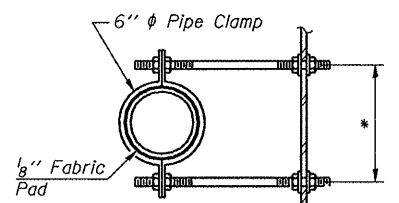
MIN. BAR LAPS

(Parapet)
#4 bar = 1'-4"
#8 bar = 3'-5"

SUPERSTRUCTURE
BILL OF MATERIAL

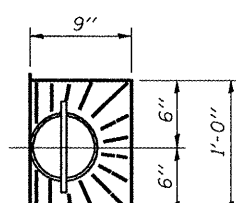
Bar	No.	Size	Length	Shape
d(E)	114	#5	41'-3"	—
d1(E)	91	#5	40'-4"	—
a2(E)	114	#6	4'-6"	—
a3(E)	114	#5	45'-3"	—
a4(E)	91	#5	44'-4"	—
b(E)	270	#5	26'-10"	—
b1(E)	304	#5	20'-7"	—
d(E)	168	#5	5'-7"	—
d1(E)	168	#5	7'-4"	—
e(E)	56	#4	18'-9"	—
e1(E)	6	#8	27'-7"	—
e2(E)	6	#4	26'-5"	—
m(E)	12	#6	22'-1"	—
m1(E)	12	#6	24'-1"	—
m2(E)	8	#6	21'-8"	—
m3(E)	8	#6	23'-8"	—
m4(E)	4	#6	2'-5"	—
m5(E)	28	#6	5'-6"	—
m6(E)	28	#6	8'-4"	—
m7(E)	32	#6	8'-1"	—
s(E)	152	#5	5'-5"	—
s1(E)	152	#4	8'-2"	—
v(E)	172	#5	3'-4"	—
Reinforcement Bars, Epoxy Coated		Pound	41330	
Concrete Superstructure		Cu. Yds.	225.4	

Bars indicated thus 1 x 3-#5 etc. indicates 1 line of bars with 3 lengths per line.

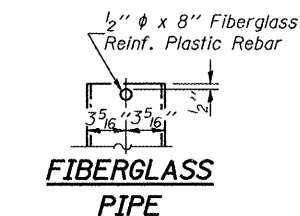


SECTION B-B

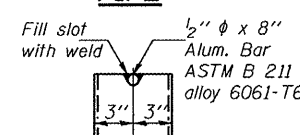
*Dimension as required by pipe clamp



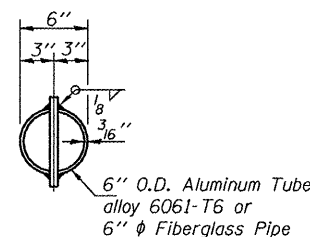
TOP PLAN



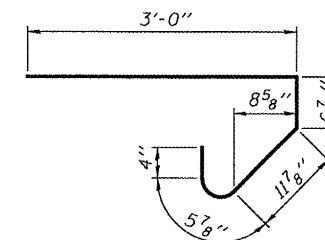
FIBERGLASS PIPE



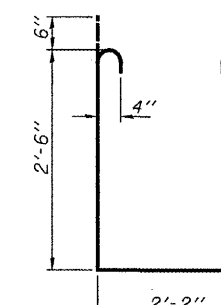
ALUMINUM TUBE



TOP PLAN
(Showing Aluminum Tube)



BAR s(E)



BAR s1(E)

SUPERSTRUCTURE DETAILS
F.A.P. RTE. 64 - SECTION (10B)BR
PEORIA COUNTY
STATION 80+69.5
STRUCTURE NO. 072-0198

DESIGNED	D.P.C.
CHECKED	D.F.Z.
DRAWN	r.b. carbonell
CHECKED	D.P.C./D.F.Z.

EXAMINED	November 13, 2008
THOMAS J. DOMAGALSKI	ENGINEER OF BRIDGE DESIGN
PASSED	RALPH E. ANDERSON
	ENGINEER OF BRIDGES AND STRUCTURES