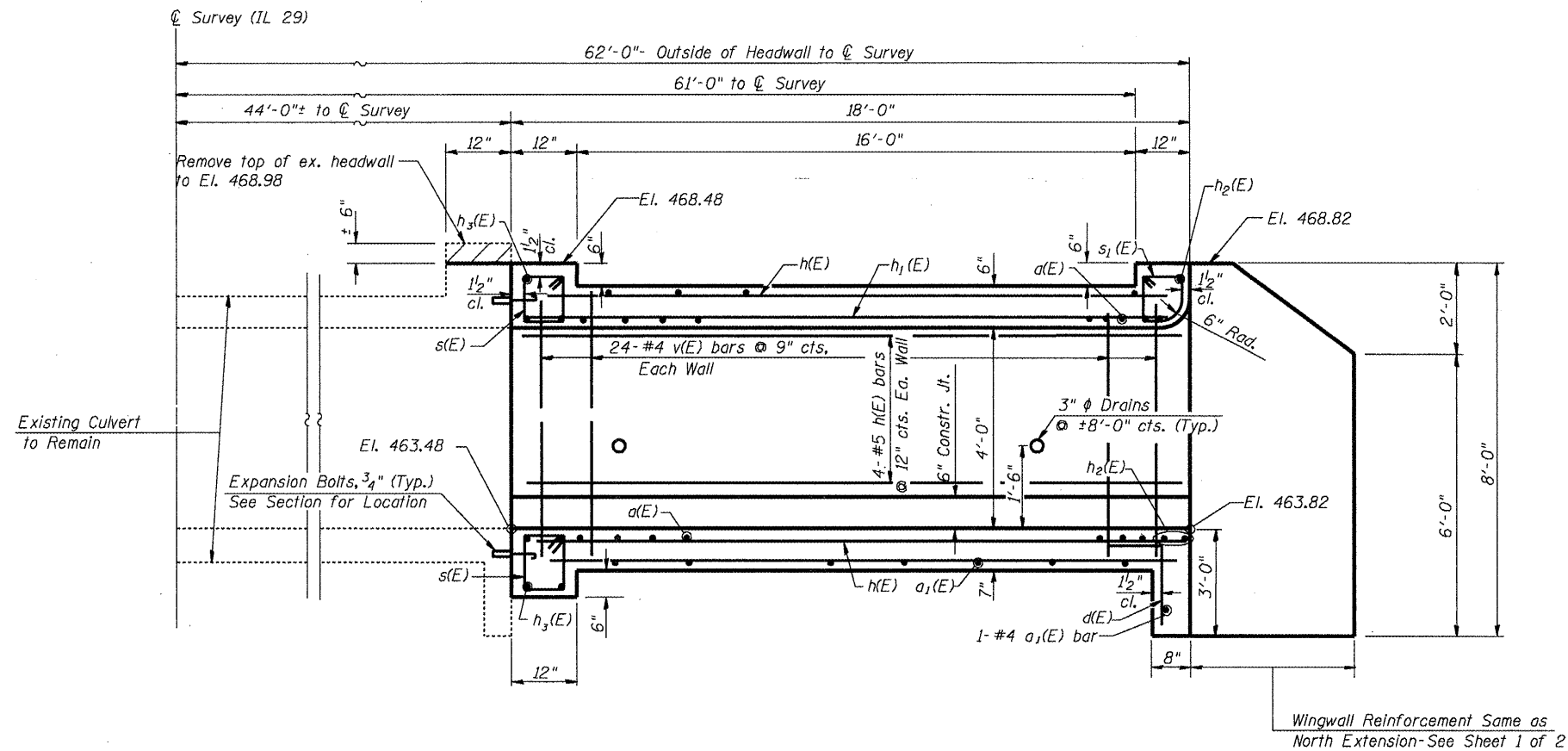
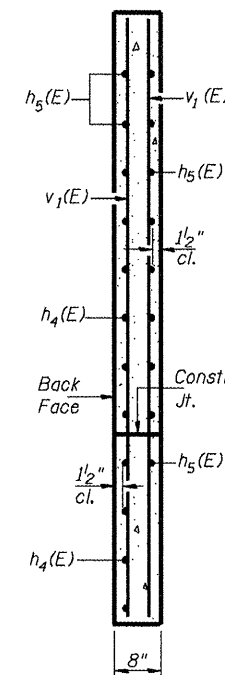
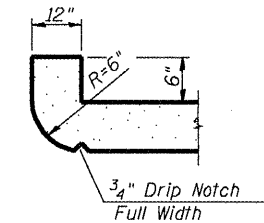
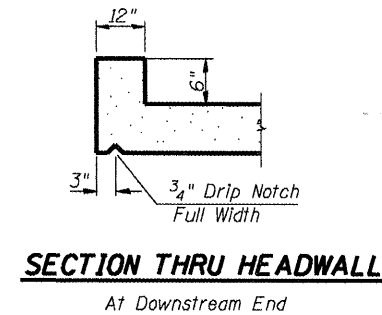


F.A.P. RTE.	SECTION	COUNTY	TOTAL SHEETS	SHEET NO.
64		PEORIA	183	69
FED. ROAD DIST. NO. 7		ILLINOIS	FED. AID PROJECT-	
CONTRACT 88803		* (18,12)RS-6(1)RS-4(1)08)BR		



ELEVATION-WEST EXTENSION

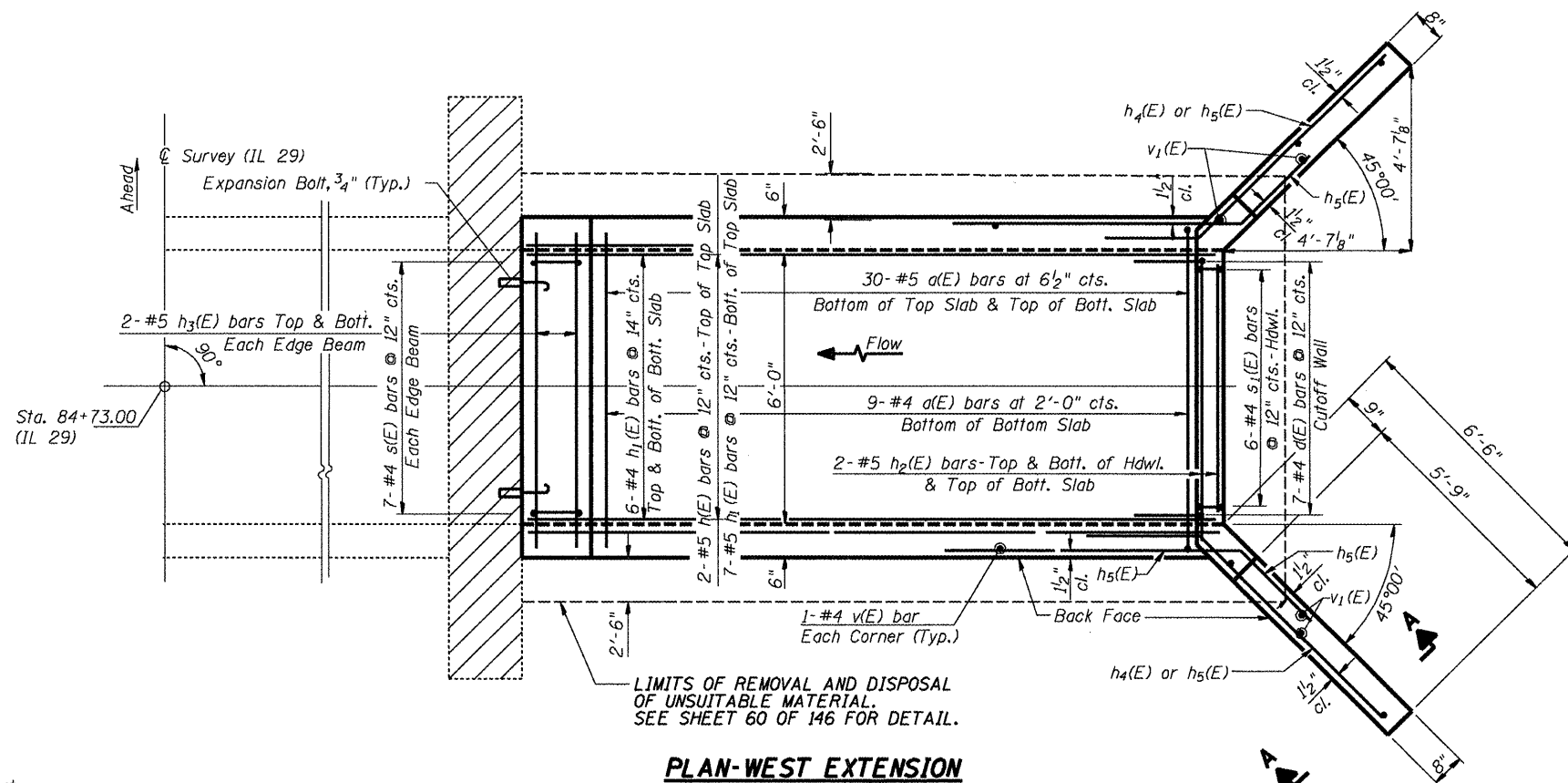


SECTION A-A

BILL OF MATERIAL

Bar	No.	Size	Length	Shape
a(E)	90	#5	7'-10"	U
a1(E)	14	#4	6'-9"	—
d(E)	14	#4	4'-6"	L
h(E)	34	#5	9'-9"	—
h1(E)	24	#4	9'-9"	—
h2(E)	12	#5	5'-10"	—
h3(E)	16	#5	6'-9"	—
h4(E)		#4	9'-9"	—
h5(E)		#5	8'-0"	—
s(E)	34	#4	3'-9"	U
s1(E)	6	#4	3'-7"	U
v(E)	80	#4	4'-9"	—
v1(E)	16	#4	7'-0"	—
Reinforcement Bars Epoxy Coated			lb.	1620
Concrete Box Culverts			Cu. Yd.	12.9
Expansion Bolts, 3/4"			Each	32
Concrete Removal			Cu. Yd.	3.0

Existing reinforcement not extending into new construction shall be cut at the removal line and removed. Cost included with concrete removal.
See Sheet 1 of 2 for Bar Details, Section Thru Barrel and reinforcement layout not shown.



PLAN-WEST EXTENSION

ILLINOIS DEPARTMENT OF TRANSPORTATION	
SHEET TITLE CULVERT EXTENSION	
PROJECT FAP ROUTE 64 (IL 29) SECTION (10B) BR PEORIA COUNTY STATION 84+73.00	PROJECT NO. 01011 SCALE DATE 08/2008 DRAWN BY TFG CHECKED BY CCA/MCB DRAWING NO.
COOMBE-BLOXDORF P.C. Engineers / Land Surveyors Springfield, Illinois Design Firm License No. 184-002708	2 OF 2 SHTS