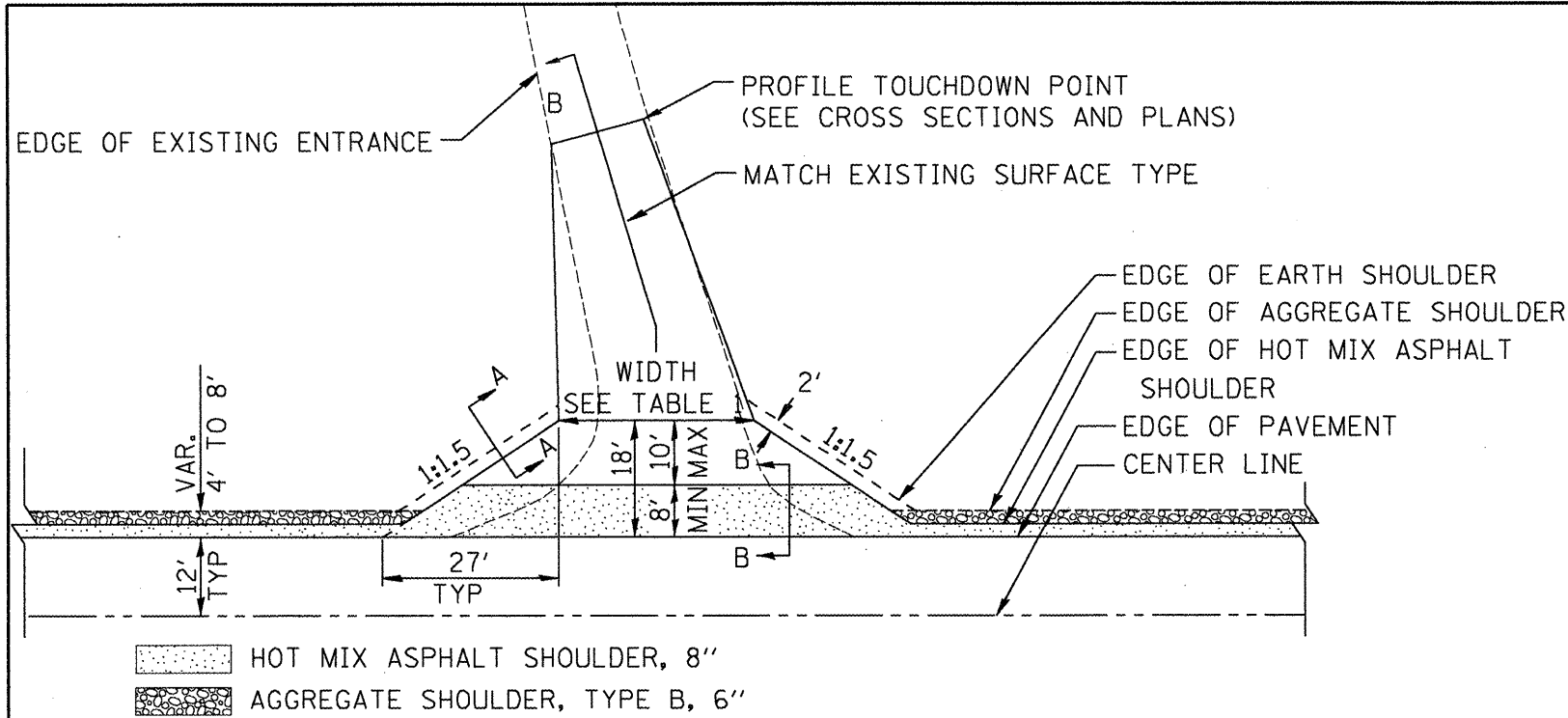


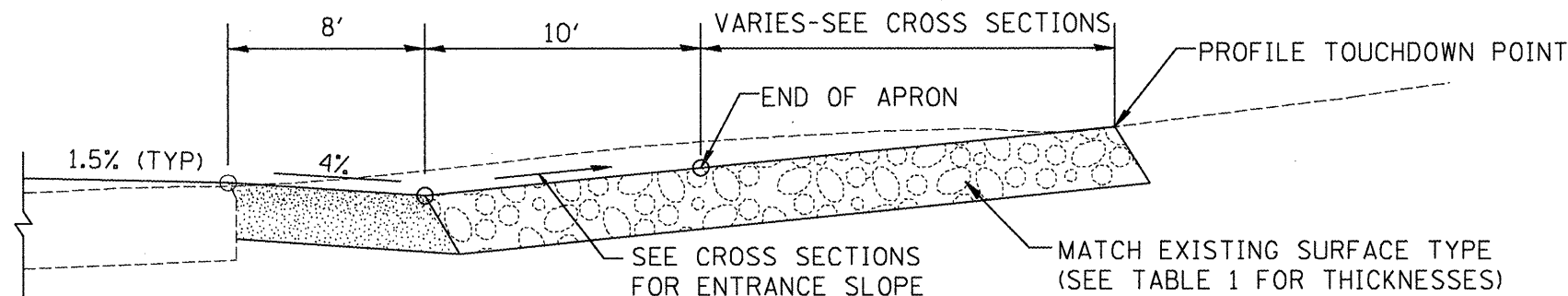
F.A.P. RTE.	SECTION	COUNTY	TOTAL SHEETS	SHEET NO.
64	*	PEORIA	186	165
STA.	TO STA.			
FED. ROAD DIST. NO.	ILLINOIS	FED. AID PROJECT		

TABLE 1				
RURAL ENTRANCE DESIGN				
ELEMENT	NON-COMMERCIAL	NON-COMMERCIAL W/ LARGE FARM EQUIPMENT	COMMERCIAL	
			1-WAY OPERATION	2-WAY OPERATION
WIDTH (W)	12'(3.6m) Min., 24'(7.2m) Max.	20' (6.1m)Max., 30' (9.0m)Max.	14'(4.3m) Min., 24'(7.2m) Max.	24'(7.2m) Min., 35'(10.7m) Max.
FLARE	1:1.5			
MAX. GRADE (G)	12%	12%	10%	
SURFACE TYPE				
INCIDENTAL HOT MIX ASPHALT SURFACING	6"	—	8"	
AGGREGATE SURFACE COURSE	6"	8"	8"	
PCC DRIVEWAY PAVEMENT	6"	—	7"	

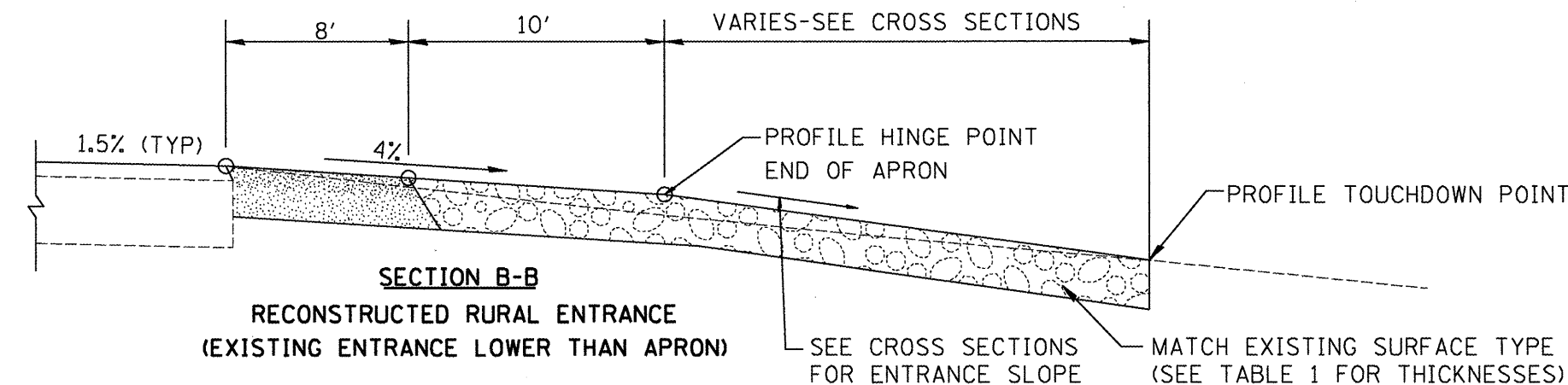


HOT MIX ASPHALT SHOULDER, 8"
 AGGREGATE SHOULDER, TYPE B, 6"

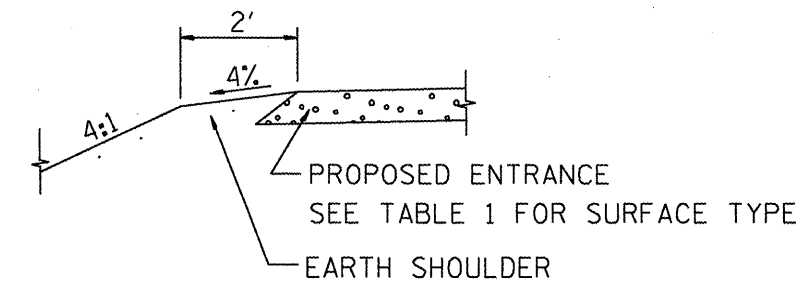
PLAN
COMMERCIAL / FARM-RELATED ENTRANCE



SECTION B-B
RECONSTRUCTED RURAL ENTRANCE
(EXISTING ENTRANCE HIGHER THAN APRON)



SECTION B-B
RECONSTRUCTED RURAL ENTRANCE
(EXISTING ENTRANCE LOWER THAN APRON)



SECTION A-A
SHOULDER TREATMENT FOR RURAL ENTRANCES

GENERAL NOTES

- ENTRANCES SHALL SLOPE AWAY FROM THE PAVEMENT AT A RATE EQUAL TO THE SHOULDER SLOPE FOR A MINIMUM DISTANCE OF 8'.
- A MINIMUM 8' PAVED SHOULDER SHALL BE CONSTRUCTED BETWEEN LOCATIONS WHERE THE RURAL ENTRANCE IS LESS THAN 50' FROM AN ADJACENT SIDEROAD, ENTRANCE OR MAILBOX TURNOUT.
- A TAPER RATE OF 5:1 IS DESIRABLE WHEN TRANSITING FROM THE RURAL ENTRANCE WIDTH SHOWN IN TABLE 1, TO THE EXISTING ENTRANCE WIDTH.

DATE	REVISIONS	BY
1-1-97	RENJIM. C-103.06, NEW REVISION BOX	T.P.
7-1-97	REVISE DESIGNER NOTES	J.A.
1-17-03	ADJUST DESIGN, CHANGE ENTRANCE	JATR
9-15-05	RADIUS FOR FLARE	M.M.A.
10-16-06	REVISED TO 2007 SPEC.	N.A.

ILLINOIS DEPARTMENT OF TRANSPORTATION
DISTRICT CADD STANDARD
 RURAL ENTRANCES FOR
 "3R" PROJECTS
 SHEET 1 OF 2
 CADD STD NO. 406301-D4
 SCALE: NOT DRAWN TO SCALE
 DATE: _____ DRAWN BY CADD
 CHECKED BY: T. PICKERING