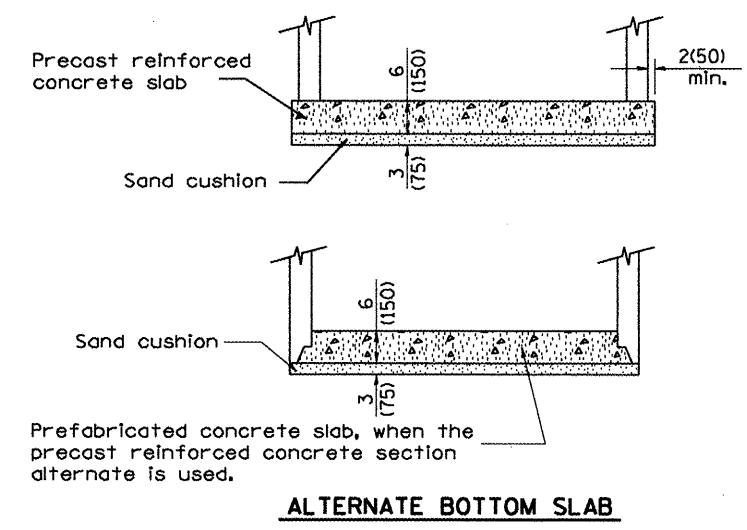
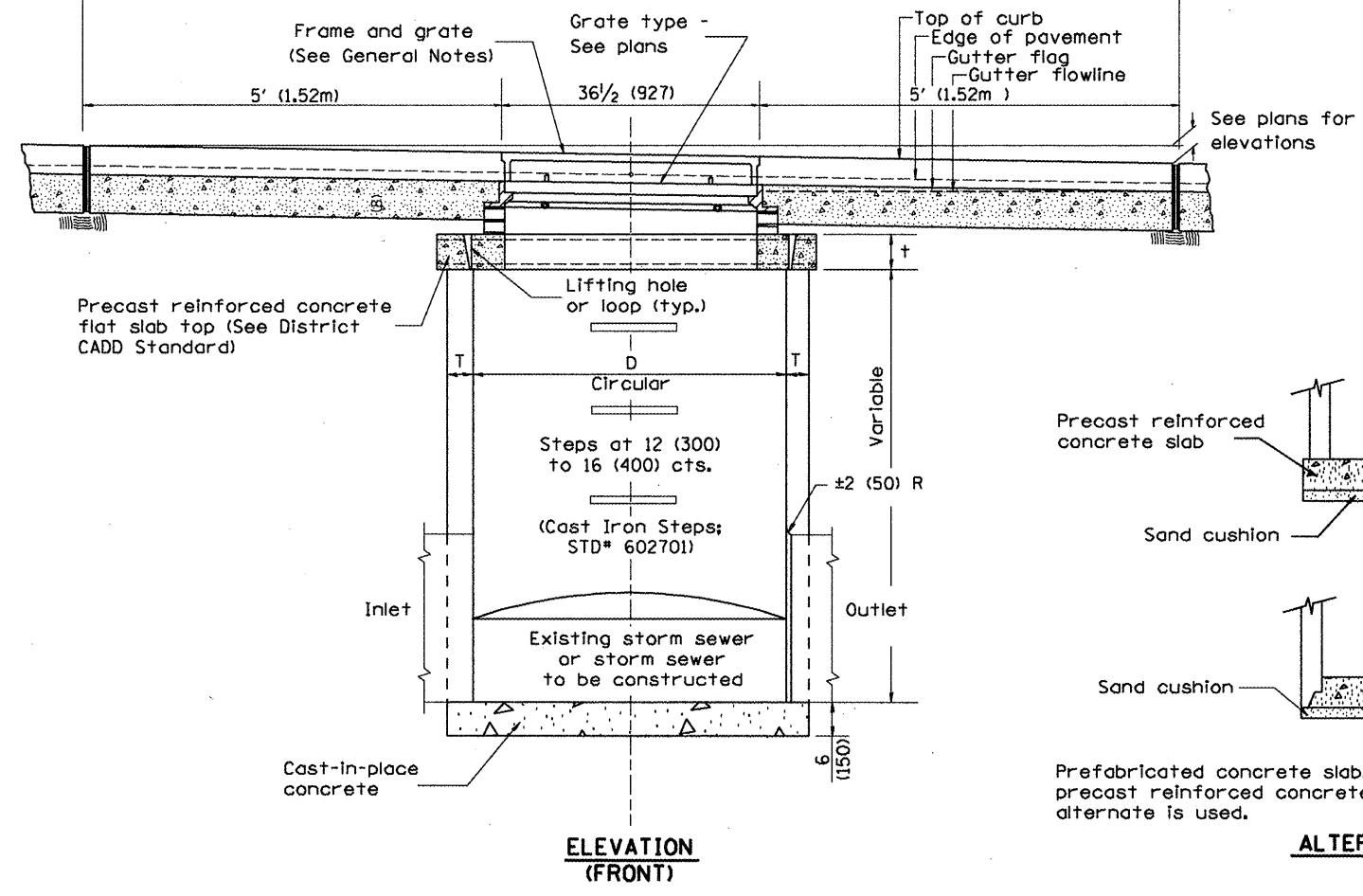
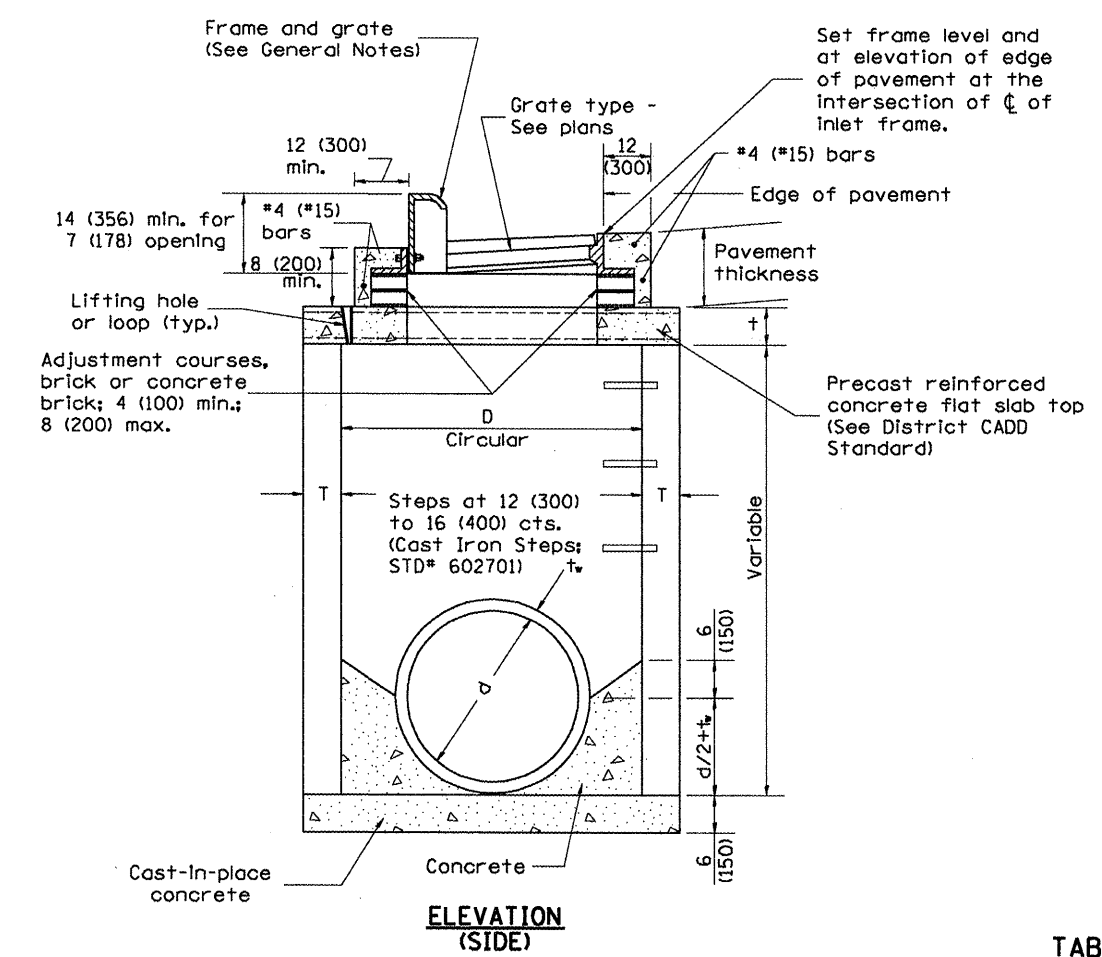
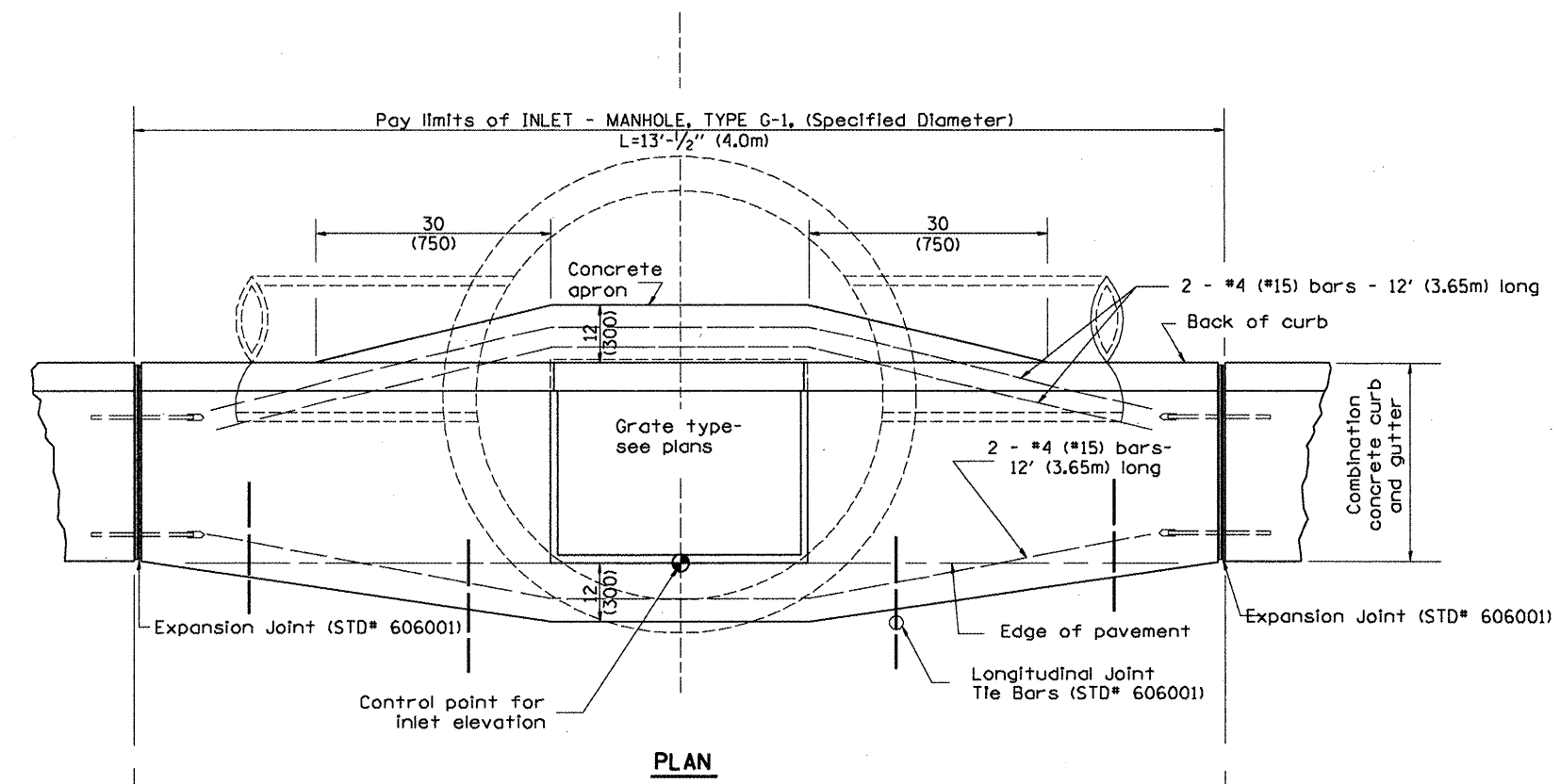


| F.A.P. RTE. | SECTION | COUNTY | TOTAL SHEETS | SHEET NO. |
|---------------------|---------|----------|------------------|-----------|
| 64 | | PEORIA | 186 | 171 |
| STA. | | TO STA. | | |
| FED. ROAD DIST. NO. | | ILLINOIS | FED. AID PROJECT | |



GENERAL NOTES

1. Inlet-manhole construction shall be in accordance with Section 602 of the Standard Specifications.
2. Combination concrete curb and gutter shall be constructed in accordance with Section 606 of the Standard Specifications.
3. See District CADD Standard 604001-D4 for frame and grates.
4. See District CADD Standard for precast reinforced concrete flat slab top.

TABLE

| D | T | t |
|-----------|-------------|----------|
| 4' (1.2m) | 5 (125) | 6 (150) |
| 5' (1.5m) | 6 (150) | 8 (200) |
| 6' (1.8m) | 7 3/4 (195) | 8 (200) |
| 8' (2.4m) | 9 (225) | 10 (250) |

All dimensions are in inches (millimeters) unless otherwise noted.

**ILLINOIS DEPARTMENT OF TRANSPORTATION
DISTRICT CADD STANDARD**

**INLET-MANHOLE,
TYPE G-1**

| DATE | REVISIONS | BY |
|----------|---------------------------------|------|
| 1-1-97 | RENUM. B-4.05, NEW REVISION BOX | |
| 10-99 | REVISION TO GENERAL NOTES | J.A. |
| 2-00 | REVISION TO DESIGNER NOTES | J.A. |
| 10-16-06 | REVISED TO 2007 SPEC. | M.A. |

CADD STANDARD 602021-D4
SCALE NOT TO SCALE
DRAWN BY CADD
CHECKED BY