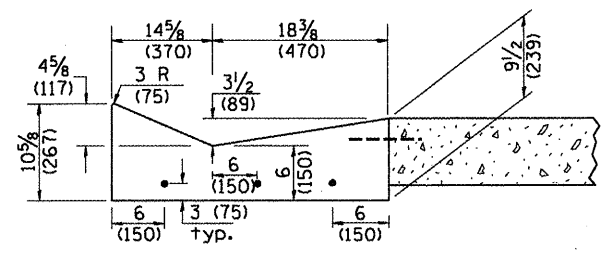
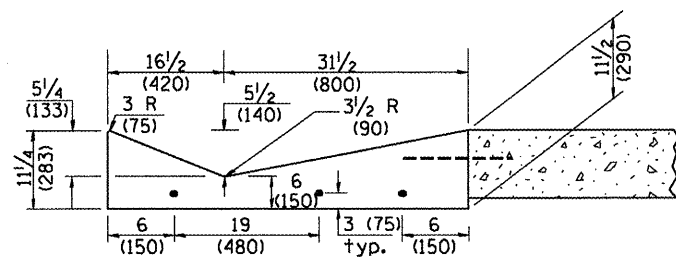


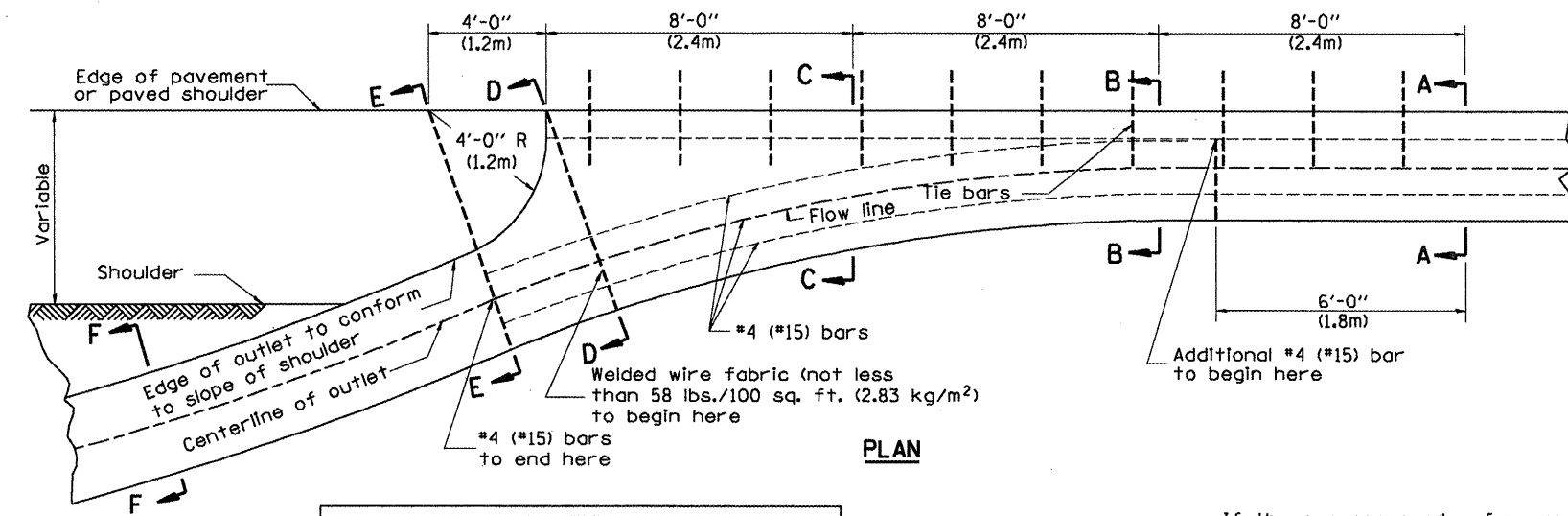
SECTION A-A



SECTION B-B



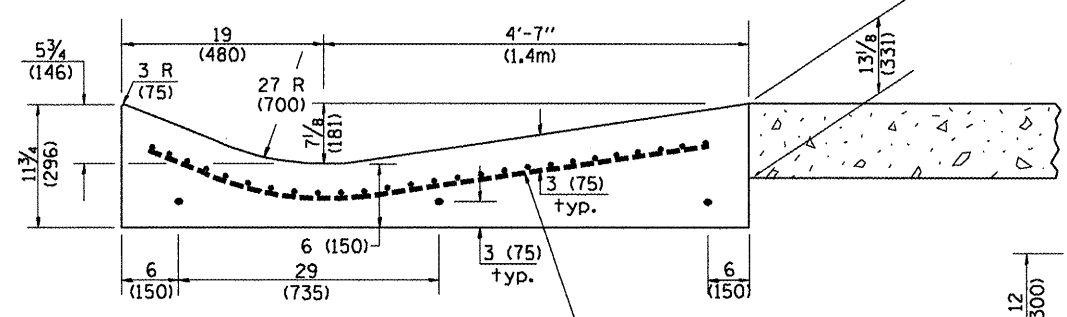
SECTION C-C



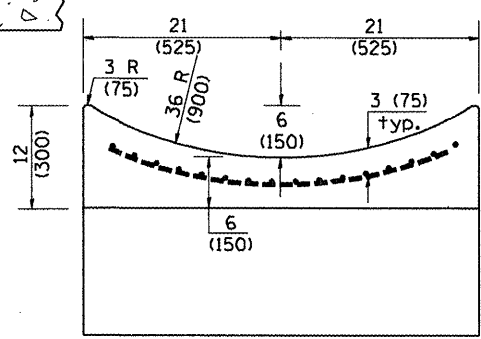
PLAN

QUANTITY
 Section A-A to E-E= 2.81 cu. yd. concrete.
 Section F-F= 0.09 cu. yd./ft. concrete.

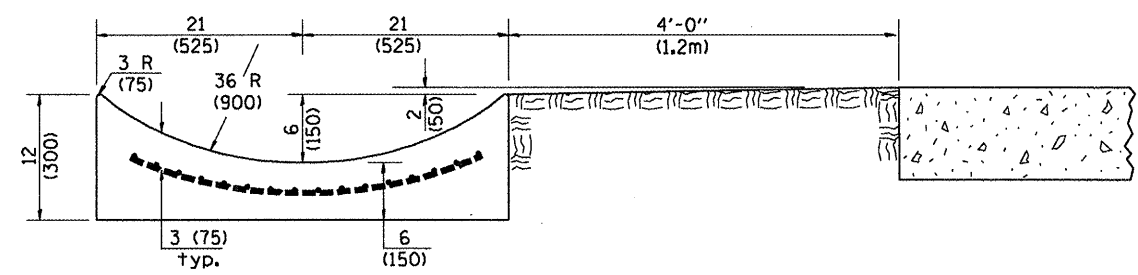
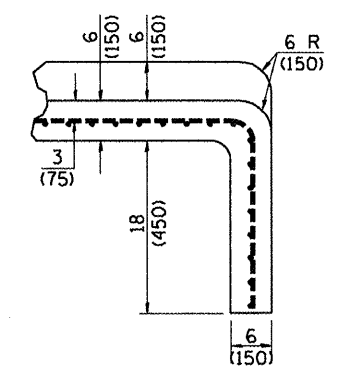
If the average grade of pavement for the distance from section A-A to section D-D exceeds 2%, this distance shall be increased 6 ft. (1.8m) for each 1% increase in grade. A quantity adjustment is required.



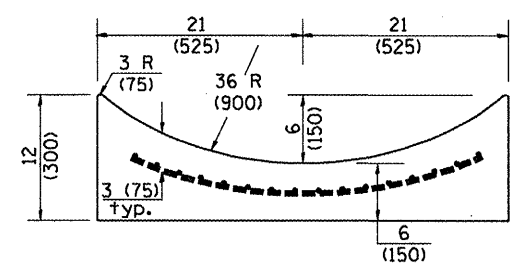
SECTION D-D



SECTIONS AT END OF OUTLET (CURTAIN WALL)



SECTION E-E



SECTION F-F

QUANTITY
 Curtain Wall = 0.1 cu. yd. concrete.

All dimensions are in inches (millimeters) unless otherwise noted.

OUTLET

QUANTITIES

CALC. BY: _____ DATE: _____
 CHECKED BY: _____ DATE: _____

QUANTITY CALCULATIONS ARE ON FILE AT THE DISTRICT 4 OFFICE, BUREAU OF PROJECT IMPLEMENTATION, DOCUMENTATION SECTION

ILLINOIS DEPARTMENT OF TRANSPORTATION
 DISTRICT CADD STANDARD
 TYPE B GUTTER (MODIFIED)
 (INLET, OUTLET & ENTRANCE)
 CADD STANDARD 606201-D4 SHEET 2 OF 3
 NOT DRAWN TO SCALE DRAWN BY CADD CHECKED BY